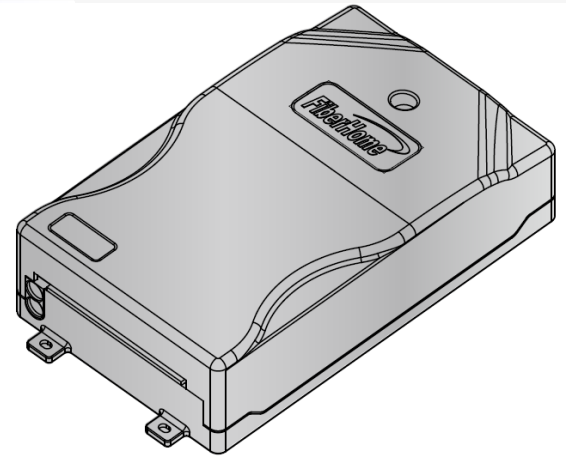


FTB-522 fiber termination box is the product used in FTTH network for different scene requirements of one lever split. The function of fiber splicing, termination, storage and scheduling can be provided. Splitter can be installed in the box. The box is the important device in fiber access network.

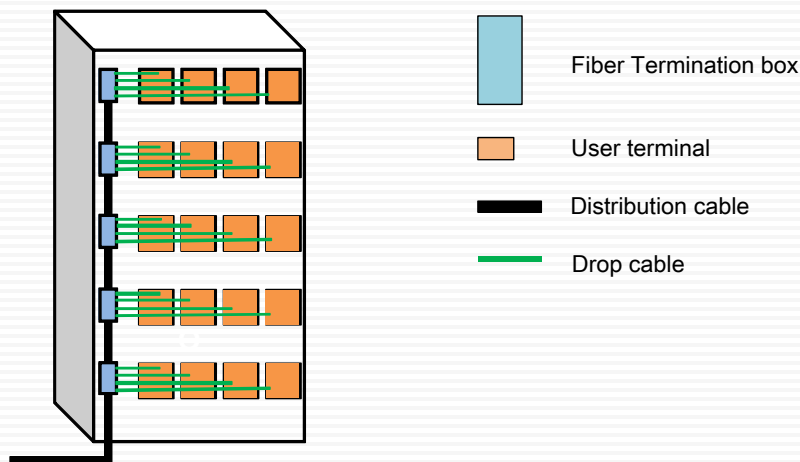
Features

- Beautiful and compact model, convenient installation;
- Nontoxic for all the material;
- Non-corrosive for metal component;
- While activating user operation, insert the field assembly connector into the adaptor;
- Suitable for wall-mounted installation;
- Neat fiber routing management.



Application

- Fiber termination box is installed on the internal wall of the building

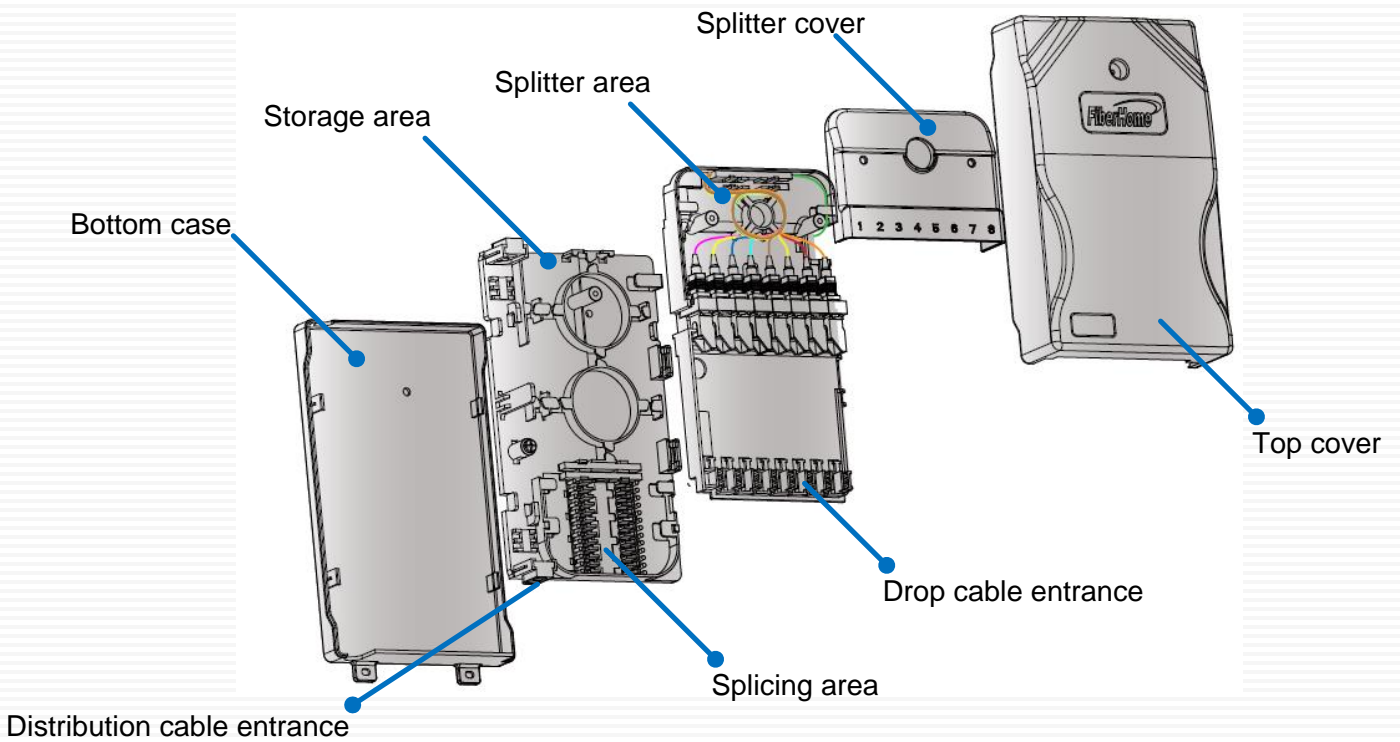


Specification

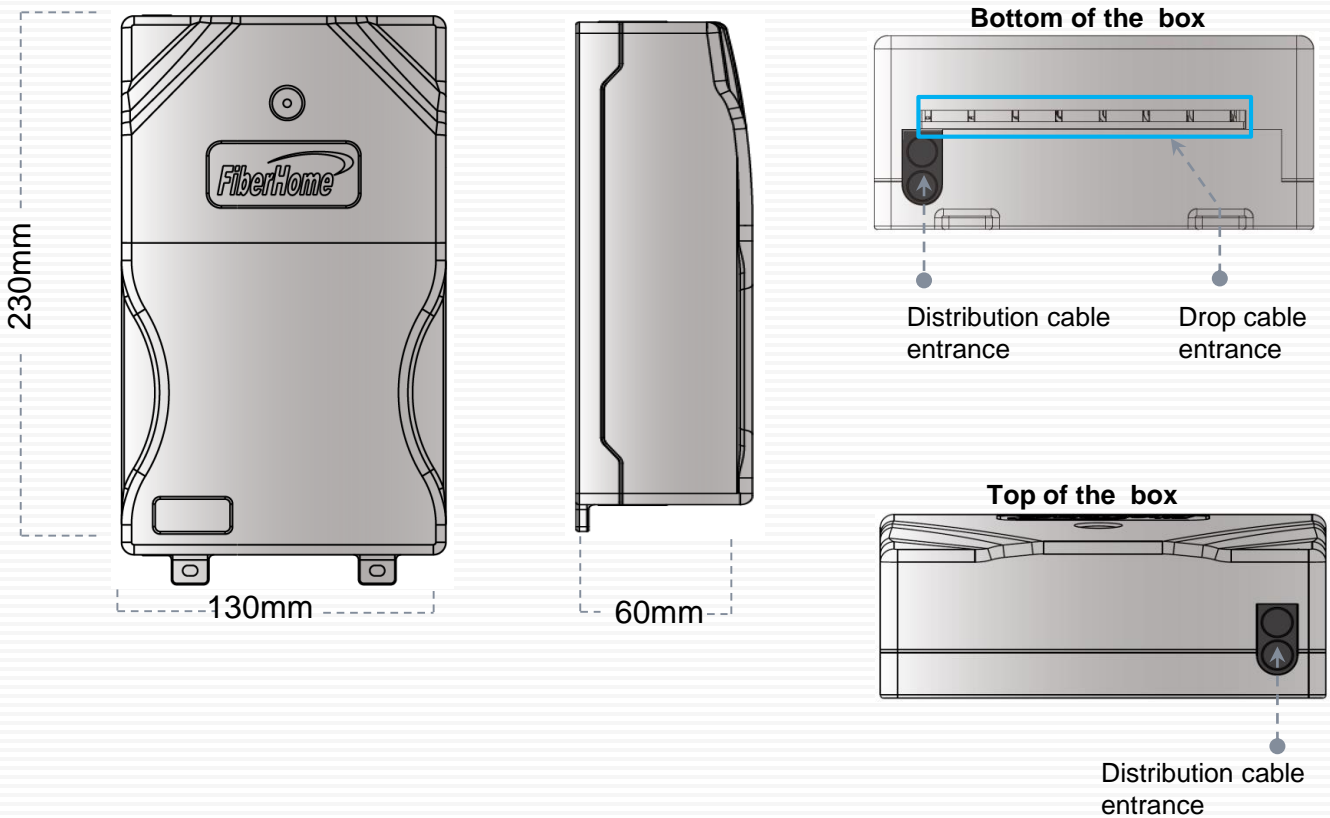
Item	Specification
Size	230mm×130mm×60mm (H × W × D)
Optical cable access number	≤4 pcs (distribution cable); ≤8 pcs (drop cable)
Max. termination capacity	8
Max. splicing capacity	24
Max. splitter capacity	1 pc 1:8 (900μm pigtail type)
Adaptor capacity	Max. 8 pcs
Distribution cable diameter	∅ 7~8mm

FTB-522 Fiber Termination Box

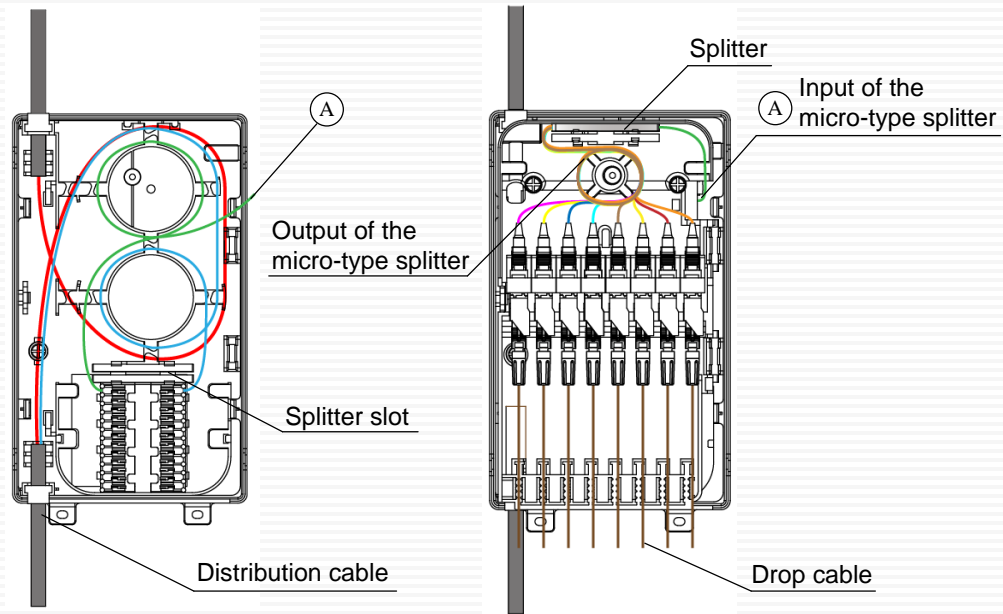
Product Detail



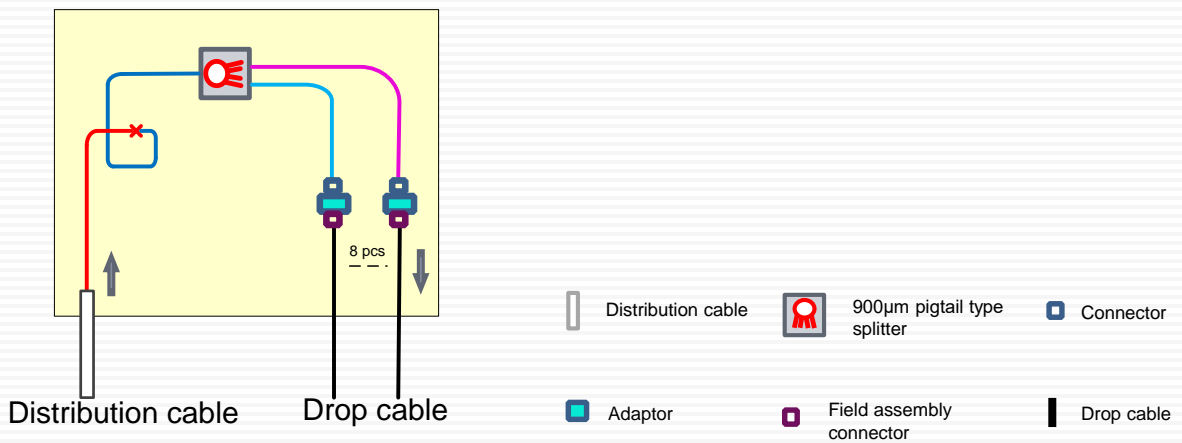
FTB-522 Fiber Termination Box



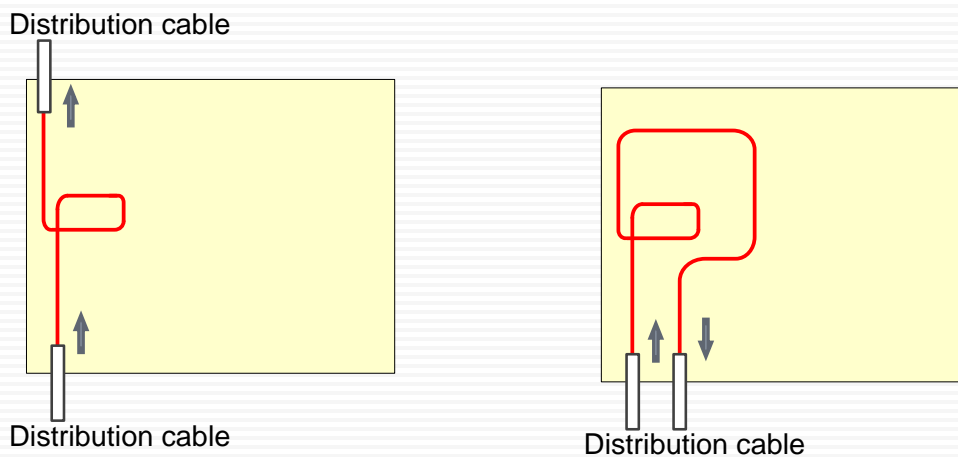
Cable route



Type1: with 900µm pigtail type splitter



Type 2: In line type or mid-span type



FTB-522 Fiber Termination Box

Wall-mounted installation

