

Contents:

- (1) SPLICE TRAY BASE
- (1) SPLICE TRAY COVER
- (4) SPLICE HOLDERS - FUSION (FOSMF)
- (2) SPLICE HOLDERS - MECHANICAL (FOSMM)
- (1) GRID LABEL 24 PORT

CAUTION:

Fiber optic cable is sensitive to excessive pulling, bending and crushing forces. Consult the manufacturer's cable specification sheet for the specific cable in use.

Follow TIA/EIA-568-A, 569, 606, and 607 installation guidelines where applicable.

WARNING: UNMATED CONNECTORS MAY EMIT INVISIBLE LASER RADIATION. DO NOT LOOK DIRECTLY INTO THE END OF THE CONNECTOR. DO NOT INSPECT WITH MAGNIFYING DEVICES. MAINTAIN CAP ON UNMATED CONNECTORS.

Care should be taken when opening and closing fully loaded drawer in order to protect fiber components.

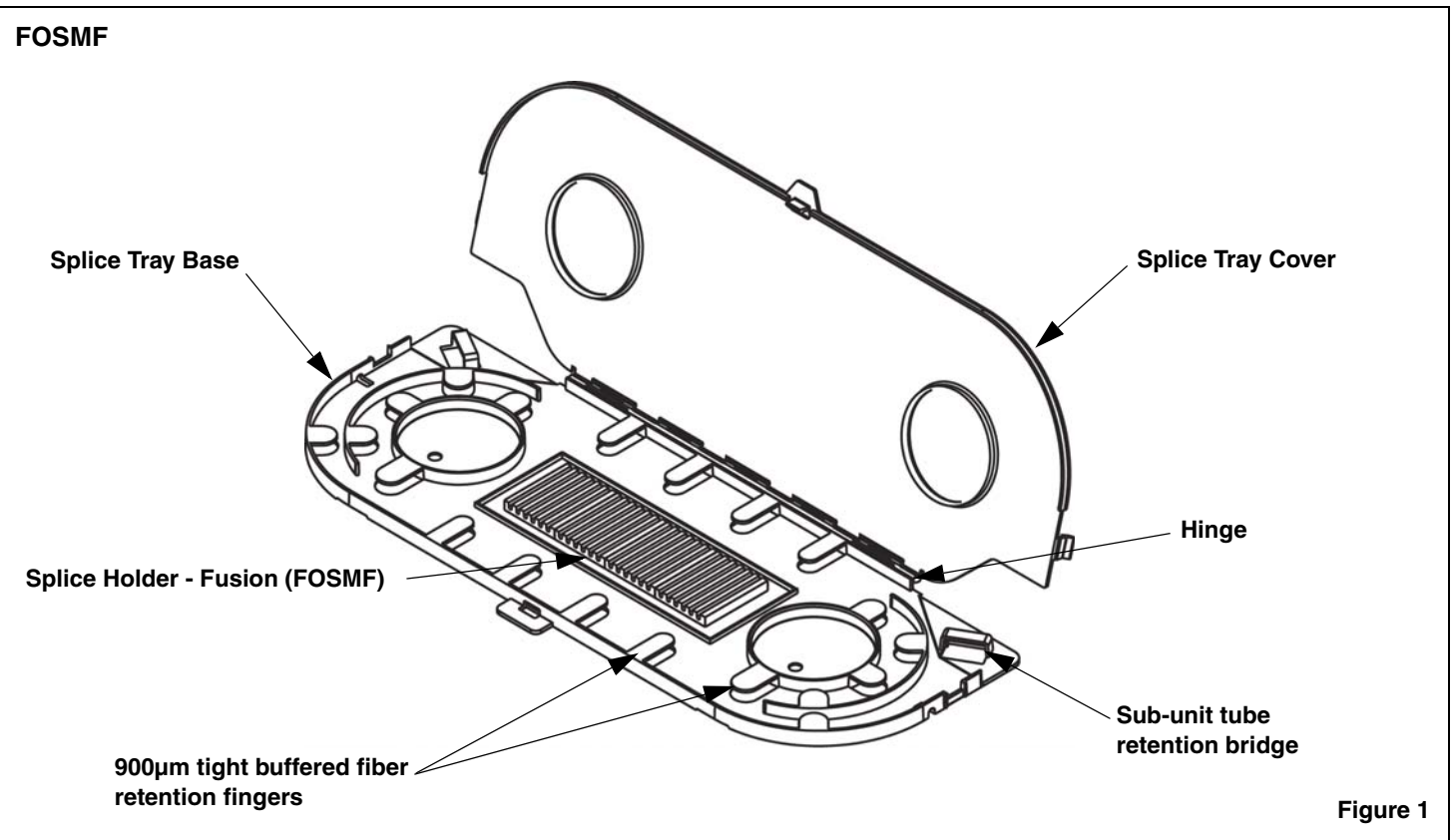


Figure 1

FOSMM

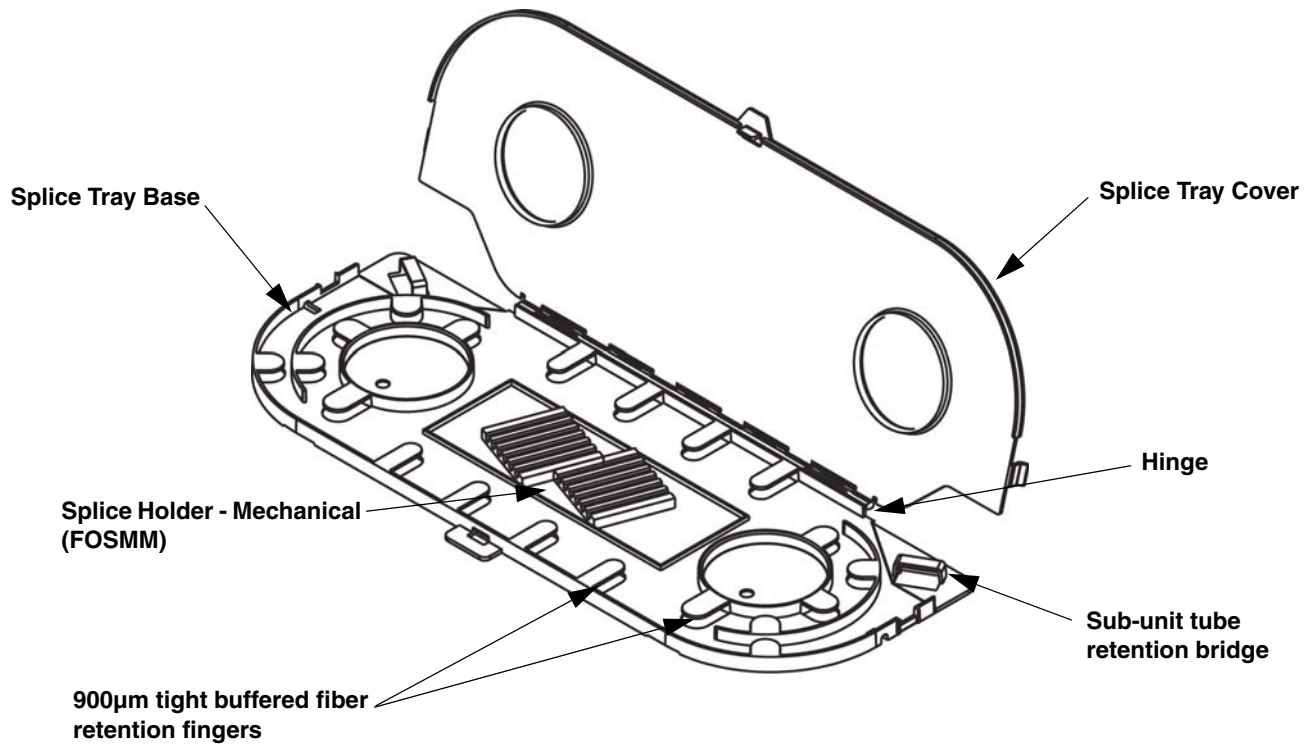
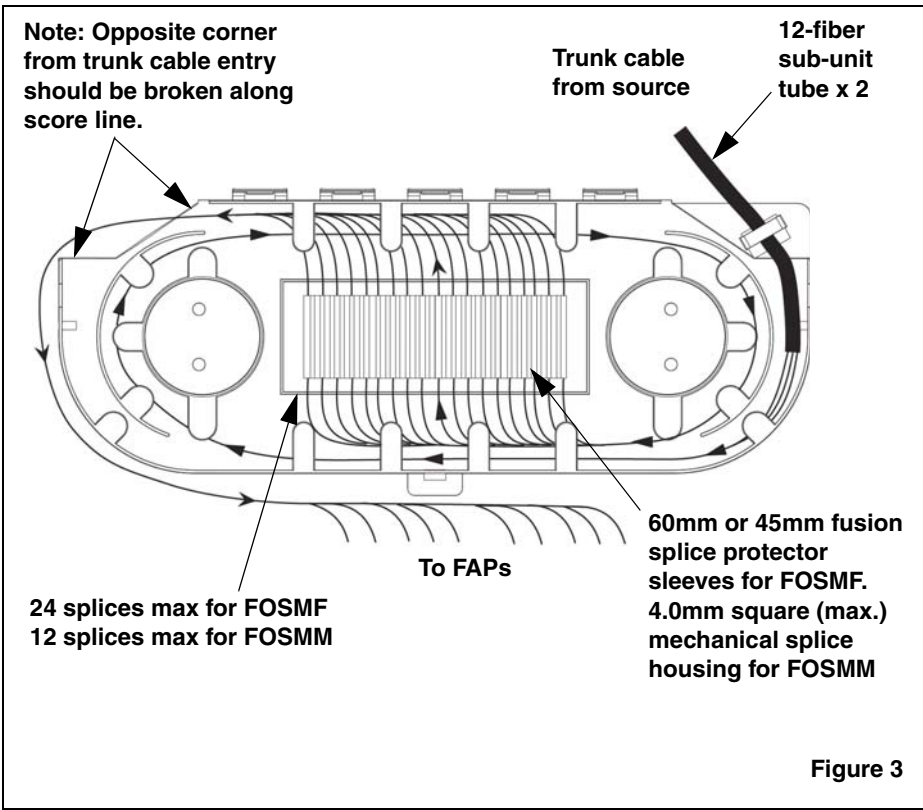


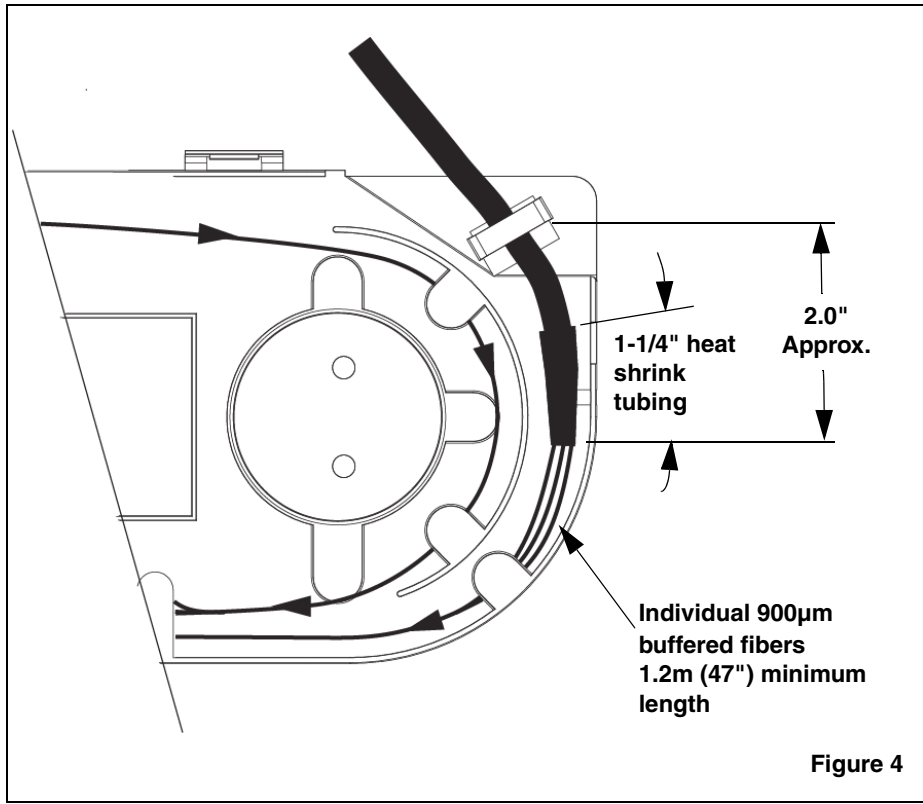
Figure 2



Typical cable routing for FOSMF or FOSMM

Route sub-unit tube(s) through retention bridge as shown. Route 900µm buffered fiber from the trunk cable and splice to pigtail. Use enough cable length, approximately 1.2m (47") to ensure one complete loop of individual fibers around FOSM slack spools.

Pigtails leading to FAPs should be a minimum of 1m (39.4").



FCE1U, FCE1UA and FCE2U Fiber Optic Splice Module Installation

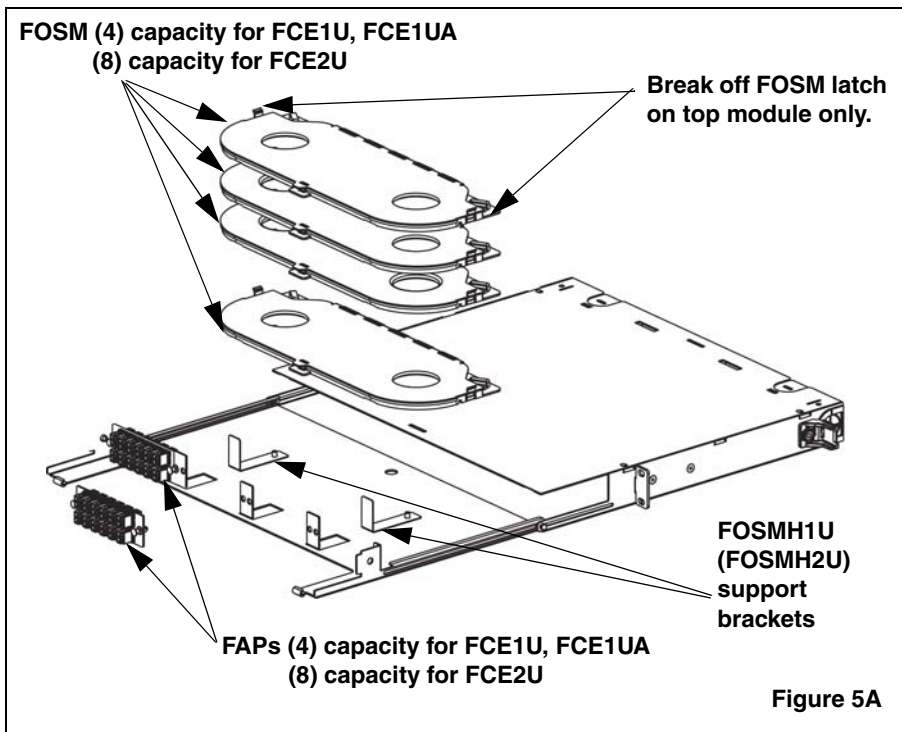


Figure 5A

Place “L” shape support brackets over #10-32 studs on sliding tray, note orientation. Place first FOSM on top of “L” shape support brackets, note orientation and secure with #10-32 hex nut. Remaining FOSMs are stacked on top of each other and snap in place after termination of lower tray.

If 4 FOSMs are to be installed in the FCE1U or FCE1UA, side latches on top module must be broken off to close enclosure drawer.

Position FAPs between upright flanges as shown. Once mounted, fully seat NyLatches to secure FAPs.

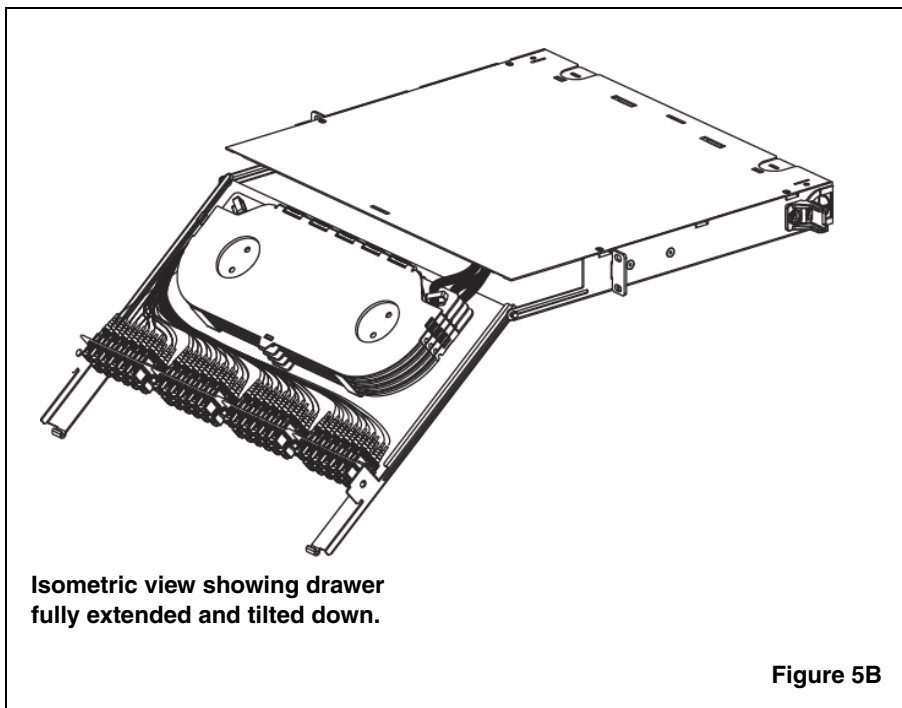
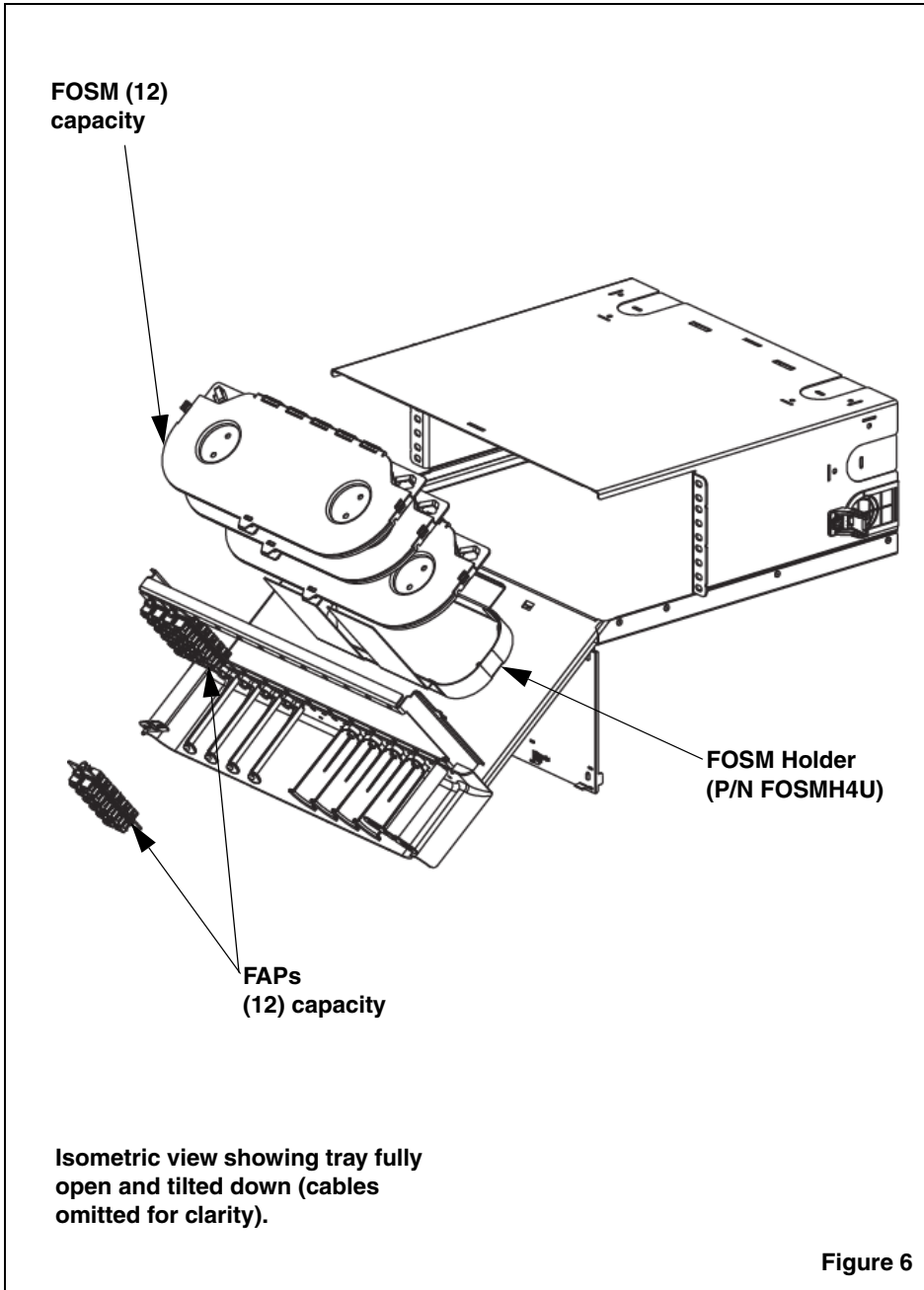


Figure 5B

Fully extend drawer to ensure proper amount of slack is used.

Finish splicing in each FOSM before adding or stacking subsequent FOSMs.

FCE4U Fiber Optic Splice Module Installation



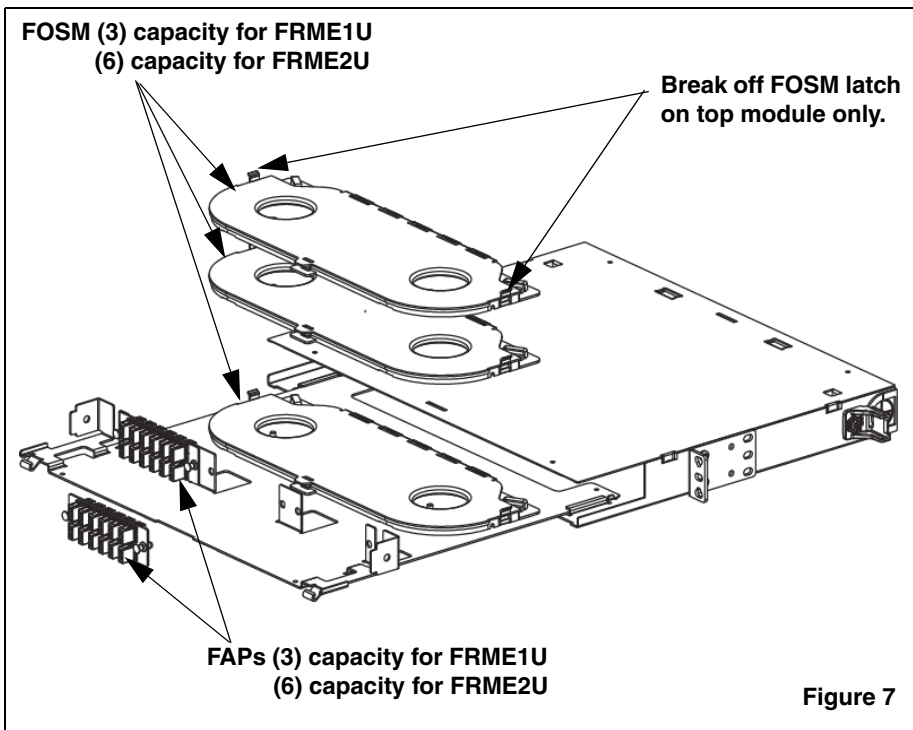
Place FOSM holder over #10-32 studs on sliding tray, note orientation, secure with #10-32 hex nut. Place first FOSM on top of FOSM Holder, note orientation. Remaining FOSMs are stacked on top of each other and snap in place after termination of lower tray.

Position FAPs between upright flanges as shown. Once mounted, fully seat NyLatches to secure FAPs.

Fully extend tray to ensure proper amount of slack is used.

Finish splicing in each FOSM before adding/stacking subsequent FOSMs.

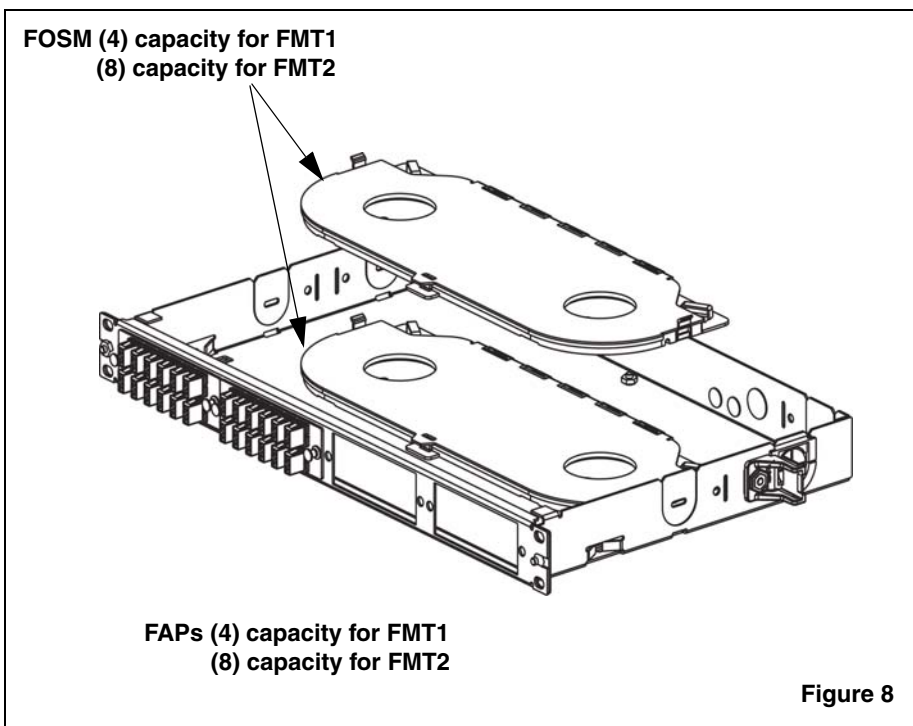
FRME1U and FRME2U Fiber Optic Splice Module Installation



Place first FOSM over #10-32 studs on sliding tray, and secure with #10-32 hex nut. Remaining FOSMs are stacked on top of each other and snap in place after termination of lower tray.

Position FAPs between upright flanges as shown. Once mounted, fully seat NyLatches to secure FAPs.

FMT1 and FMT2 Fiber Optic Splice Module Installation



To remove top cover (not shown), remove screw at rear of enclosure, slide cover back and off.

Utilizing double stick tape on underside, place first FOSM into tray. Remaining FOSMs are stacked on top of each other and snap in place after termination of lower tray.

If 4 FOSMs are to be installed in the FMT1 side latches on top module must be broken off to close enclosure drawer.

Position FAPs between upright flanges as shown. Once mounted, fully seat NyLatches to secure FAPs.