

Huawei OptiXstar F200D-8G Datasheet

Date: 2023-07-03

Overview

The Huawei OptiXstar F200D-8G is a box-shaped ONU designed for enterprise campus and video backhaul scenarios. It provides eight GE service ports, providing users with high-quality voice, data, and HD video services.



Features & Benefits

- - 10° C to +55° C wide temperature range, strong environment adaptability
- Plug and play

Hardware Specifications

Network-side port	GPON (BOB)	User-side port	8xGE
System power supply	12 V DC, 1 A	Rated input range of power adapter	100–240 V AC, 50/60 Hz
Installation mode	Indoor desktop, wall, or network box	Dimensions (H x W x D)	220 mm x 150 mm x 35 mm (excluding rubber pad)
Operating temperature	-10°C to +55°C	Operating humidity	5%–95% RH, non-condensing
Surge protection specifications	GE: 6 kV in common mode and 1.5 kV in differential mode	Weight	About 1.2 kg

	AC power port: 6 kV in common mode and 6 kV in differential mode		
Static power consumption	5 W	Maximum power consumption	8 W

Port Parameters

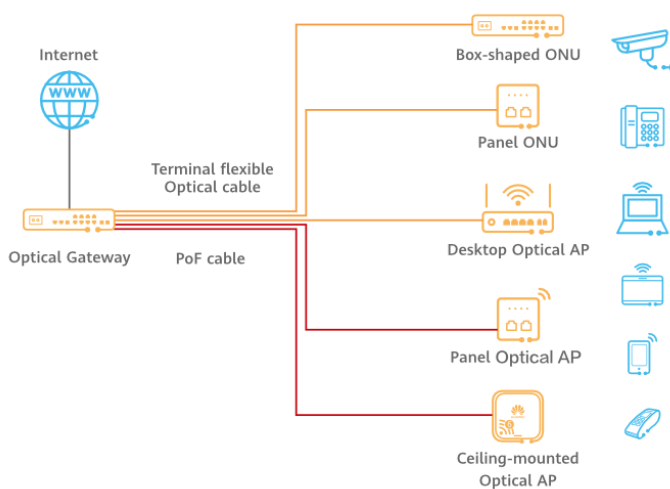
GPON Port	GE Port
<ul style="list-style-type: none"> Port type: SC/UPC Complies with ITU-T G.984.2, Class B+ Receiver sensitivity: -27 dBm to -29 dBm Overload optical power: -8 dBm Transmission rate: downstream rate 2.488 Gbit/s, upstream rate 1.244 Gbit/s 	<ul style="list-style-type: none"> Port type: RJ45 10/100/1000 Mbit/s auto-sensing MDI/MDIX automatic configuration Configuring the number of learnable mac addresses Ethernet port-based VLAN transparent transmission and filtering

Product Functions

Smart connectivity	O&M
<ul style="list-style-type: none"> Upstream mode: fiber upstream transmission Working mode: bridging 	<ul style="list-style-type: none"> Web UI One-click diagnosis of Internet connection status and hardware status

Typical Application


MiniFTTO networking scenario



Power Adapter Specifications

NOTE


This power adapter is delivered with the device.

Specification	Power Adapter
Appearance	
Dimensions	96 mm (length) x 44 mm (width) x 30 mm (height)
Power supply specifications	Input voltage: 100–240 V AC, 50 Hz/60 Hz Rated output voltage/current: 12V DC/1A Input/Output connector type: C8 2Pin/DC straight audio plug 4.0*1.7
Power	12 W
Weight	About 0.11Kg
Installation mode	Desktop
Operating temperature	–40°C to +55°C
Power cable	Specifications: 2468 22AWG Cable length: 1.5m

Copyright © Huawei Technologies Co., Ltd. 2023. All rights reserved.

No part of this document may be reproduced or transmitted in any form or by any means without prior written consent of Huawei Technologies Co., Ltd.

Trademarks and Permissions

 HUAWEI and other Huawei trademarks are trademarks of Huawei Technologies Co., Ltd.

All other trademarks and trade names mentioned in this document are the property of their respective holders.

Notice

The purchased products, services and features are stipulated by the contract made between Huawei and the customer. All or part of the products, services and features described in this document may not be within the purchase scope or the usage scope. Unless otherwise specified in the contract, all statements, information, and recommendations in this document are provided "AS IS" without warranties, guarantees or representations of any kind, either express or implied.

The information in this document is subject to change without notice. Every effort has been made in the preparation of this document to ensure accuracy of the contents, but all statements, information, and recommendations in this document do not constitute a warranty of any kind, express or implied.

Huawei Technologies Co., Ltd.

Address: Huawei Industrial Base Bantian,
Longgang Shenzhen 518129 People's
Republic of China

Website: www.huawei.com