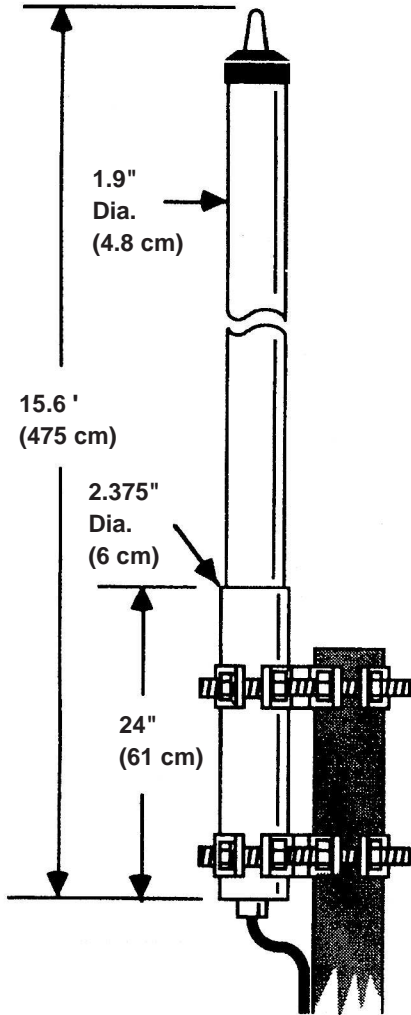




UHF OMNIDIRECTIONAL BROAD BANDWIDTH FIBERGLASS ANTENNA



MODEL NUMBER

HD9-35065 (350-365 MHz.)
 HD9-36580 (365-380 MHz.)
 HD9-38000 (380-400 MHz.)

FREQUENCY RANGE

350 - 400 MHz.

GAIN

9 dBd (11.15 dBi)

BANDWIDTH

15 MHz.

V.S.W.R.

2.0:1

POLARIZATION

VERTICAL

POWER RATING

600 Watts Maximum

TERMINATION

Type N Female

VERTICAL APERTURE

7 Degrees

(3 dB from max)

HORIZONTAL APERTURE

Omni

WEIGHT

19 lbs (8.6 kg)

WIND AREA (flat plate equiv.)

3.0ft² (.278 m²)

MAXIMUM WIND SPEED

150 mph. (241 kph.)

MATERIAL

Feed Lines: Copper

Radiators: Copper

Radome: White

COLOR

MOUNTING

(top or side mount)

Mounting Clamps: Galvanized steel

Clamps permit mounting the antenna

to a support pipe up to 3.25" O.D.

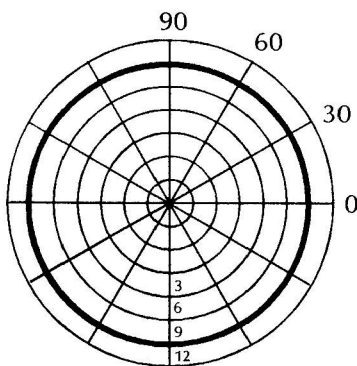
LIGHTNING PROTECTION

Direct Ground

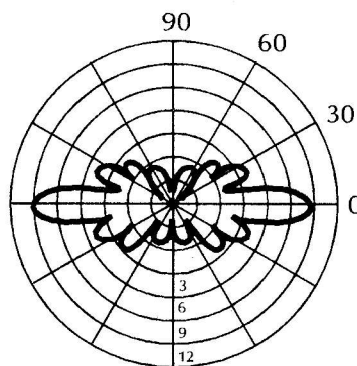
ACCESSORIES

Reflector Tube (adds 3 dB directional)
 and Side Mount Kit optional

Radiation Patterns (Relative Field Strength)



Horizontal



Vertical

