

## DS-2CD3843G0-AP 4 MP Indoor Box Network Camera



- High quality imaging with 4 MP resolution
- Efficient H.265+ compression technology
- Clear imaging against strong back light due to 120 dB true WDR technology
- Audio and alarm interface available
- RS485 interface available



## • Specification

| Camera                      |  |
|-----------------------------|--|
| Image Sensor                | 1/3" Progressive Scan CMOS   |
| Max. Resolution             | 2560 × 1440  |
| Min. Illumination           | Color: 0.005 Lux @ (F1.6, AGC ON)  |
| Shutter Speed               | 1/3 s to 1/100, 000 s  |
| Day & Night                 | IR cut filter  |
| Lens                        |  |
| Lens Mount                  | C/CS mount   |
| Iris Type                   | DC drive;<br>P-iris (depending on lens type)   |
| Video                       |  |
| Main Stream                 | 50 Hz:<br>20 fps (2560 × 1440)<br>25 fps (1920 × 1080, 1280 × 720)<br>60 Hz:<br>20 fps (2560 × 1440)<br>30 fps (1920 × 1080, 1280 × 720) |
| Sub-Stream                  | 50 Hz: 25 fps ( 1280 × 720 , 640 × 480, 640 × 360)<br>60 Hz: 30 fps (1280 × 720 , 640 × 480, 640 × 360)                                  |
| Third Stream                | 50 Hz: 1 fps (640 × 360)<br>60 Hz: 1 fps (640 × 360)   |
| Video Compression           | Main stream: H.265/H.264/H.265+/H.264+<br>Sub-stream: H.265/H.264/MJPEG<br>Third stream: H.265/H.264                                     |
| Video Bit Rate              | 32 Kbps to 8 Mbps  |
| H.264 Type                  | Baseline Profile/Main Profile/High Profile   |
| H.265 Type                  | Main Profile   |
| Region of Interest (ROI)    | 1 fixed region for main stream and sub-stream  |
| Audio                       |  |
| Audio Compression           | G.711ulaw/G.711alaw/G.722.1/G.726/MP2L2/PCM/AAC  |
| Audio Bit Rate              | 64 Kbps(G.711 ulaw/G.711 alaw)/16 Kbps(G.722.1)/16 Kbps(G.726)/32 to160 Kbps(MP2L2)/16 to 64 Kbps(AAC)                                   |
| Audio Sampling Rate         | 8 kHz/16 kHz   |
| Environment Noise Filtering | Yes  |
| Network                     |  |
| Protocols                   | TCP/IP, ICMP, HTTP, HTTPS, FTP, DHCP, DNS, DDNS, RTP, RTSP, RTCP, NTP, UPnP™, SMTP, IGMP, 802.1X, QoS, IPv6, Bonjour, IPv4, UDP, SSL/TLS |
| Simultaneous Live View      | Up to 6 channels   |
| API                         | Open Network Video Interface, ISAPI  |
| User/Host                   | Up to 32 users. 3 levels: administrator, operator and user   |
| Network Storage             | Auto network replenishment (ANR)   |
| Client                      | iVMS-4200, Hik-Connect   |

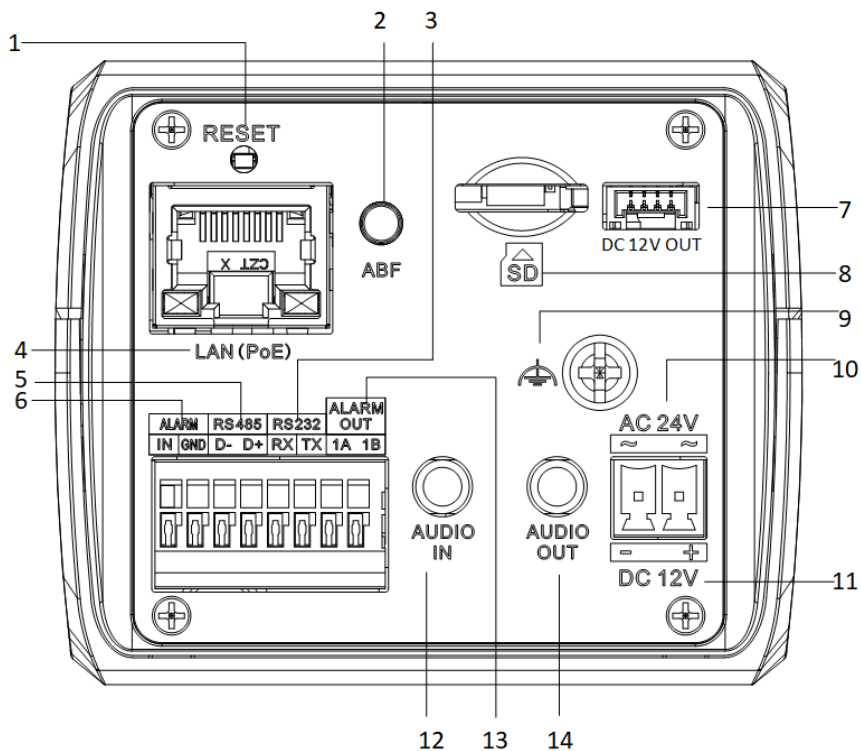
|                                  |  |
|----------------------------------|--|
| Web Browser                      | Plug-in required live view: IE 10+<br>Plug-in free live view: Chrome 57.0+, Firefox 52.0+<br>Local service: Chrome 57.0+, Firefox 52.0+  |
| <b>Image</b>                     |  |
| Image Settings                   | Saturation, brightness, contrast, sharpness, AGC, white balance adjustable by client software or web browser.  |
| Day/Night Switch                 | Day, Night, Auto, Schedule   |
| Wide Dynamic Range (WDR)         | 120 dB   |
| Image Enhancement                | BLC, 3D DNR  |
| <b>Interface</b>                 |  |
| Ethernet Interface               | 1 RJ45 10 M/100 M self-adaptive Ethernet port  |
| On-Board Storage                 | Built-in memory card slot, support microSD card, up to 256 GB  |
| Audio                            | 1 input (line in), 3.5 mm connector, max. input amplitude: 3.3 vpp, input impedance: 4.7 K $\Omega$ , interface type: non-equilibrium;<br>1 output (line out), 3.5 mm connector, max. output amplitude: 3.3 vpp, output impedance: 100 $\Omega$ , interface type: non-equilibrium. |
| Alarm                            | 1 alarm in, 1 alarm out, (max. 24 VAC/24 VDC, 500 mA)  |
| RS-485                           | 1 RS-485 (half duplex, HIKVISION, Pelco-P, Pelco-D, self-adaptive)   |
| Reset Key                        | Yes  |
| Power Output                     | 12 VDC, max. 200 mA  |
| <b>Event</b>                     |  |
| Basic Event                      | Motion detection, video tampering alarm, exception   |
| Smart Event                      | Line crossing detection, intrusion detection   |
| Linkage                          | Upload to FTP/memory card, notify surveillance center, send email, trigger recording, trigger capture, trigger alarm output  |
| <b>General</b>                   |  |
| Power                            | 12 VDC $\pm$ 25%, 0.58 A, max. 7 W, two-core terminal block, reverse polarity protection;<br>24 VAC $\pm$ 20%, 0.49 A, max. 7 W, two-core terminal block<br>PoE: 802.3af, 36 V to 57 V, 0.22 A to 0.14 A, max. 8 W   |
| Camera Material                  | Metal  |
| Camera Dimension                 | 69.8 mm $\times$ 58 mm $\times$ 137 mm (2.7" $\times$ 2.3" $\times$ 5.4")  |
| Package Dimension                | 315 mm $\times$ 140 mm $\times$ 140 mm (12.4" $\times$ 5.5" $\times$ 5.5")   |
| Camera Weight                    | Approx. 830 g (1.8 lb.)  |
| With Package Weight              | Approx. 1120 g (2.5 lb.)   |
| Storage Conditions               | -30 $^{\circ}$ C to 60 $^{\circ}$ C (-22 $^{\circ}$ F to 140 $^{\circ}$ F). Humidity 95% or less (non-condensing)  |
| Startup and Operating Conditions | -30 $^{\circ}$ C to 60 $^{\circ}$ C (-22 $^{\circ}$ F to 140 $^{\circ}$ F). Humidity 95% or less (non-condensing)  |
| Web Client Language              | English, Ukrainian   |
| General Function                 | Anti-flicker, heartbeat, mirror, password protection, privacy mask, watermark, IP address filter   |
| <b>Approval</b>                  |  |
| EMC                              | FCC (47 CFR Part 15, Subpart B)<br>CE-EMC (EN 55032: 2015, EN 61000-3-2: 2019, EN 61000-3-3: 2013+A1: 2019, EN 50130-4: 2011+A1: 2014)   |

|             |  |
|-------------|--|
| Safety      | CB (IEC 62368-1: 2014+A11)<br>CE-LVD (EN 62368-1: 2014/A11: 2017)<br>BIS (IS 13252 (Part 1): 2010/IEC 60950-1: 2005) |
| Environment | CE-RoHS (2011/65/EU)   |

## ▪ Available Model

DS-2CD3843G0-AP

## ▪ Physical Interface



| No. | Description  | No. | Description       |
|-----|--------------|-----|-------------------|
| 1   | RESET Button | 8   | MicroSD Card Slot |
| 2   | ABF          | 9   | Ground            |
| 3   | RS232        | 10  | AC 24 V           |
| 4   | LAN (PoE)    | 11  | DC 12 V           |
| 5   | RS 485       | 12  | AUDIO IN          |
| 6   | ALARM IN     | 13  | ALARM OUT         |
| 7   | DC 12 V OUT  | 14  | AUDIO OUT         |

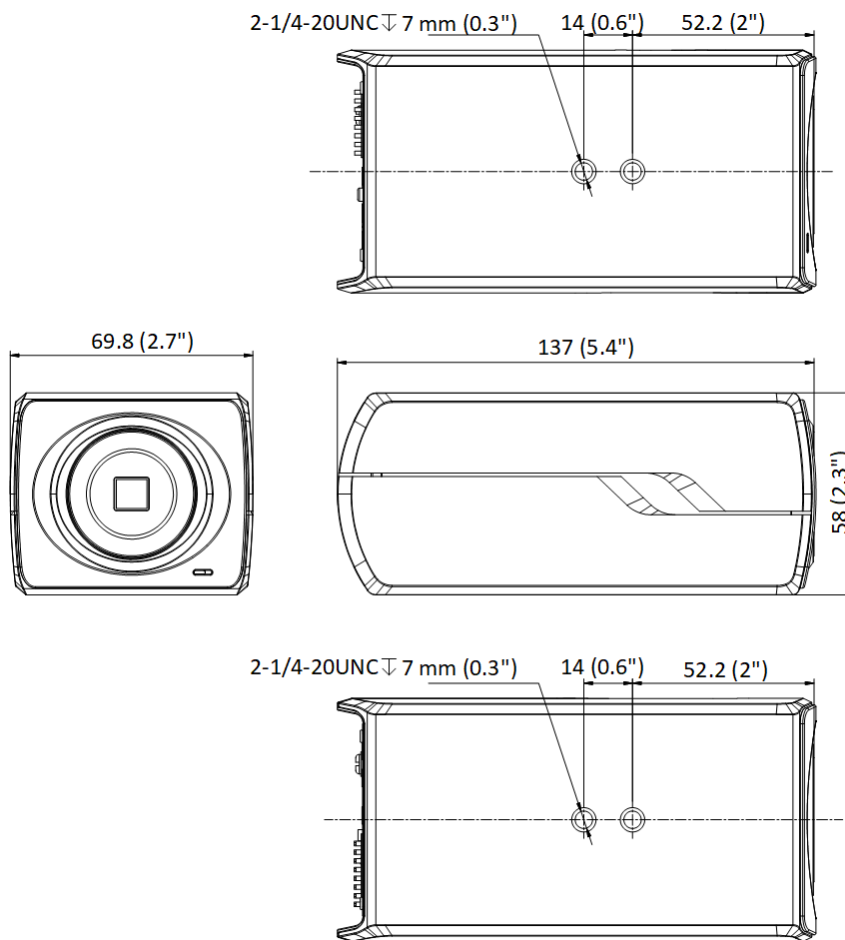
▪ **Typical Application**

Hikvision products are classified into three levels according to their anti-corrosion performance. Refer to the following description to choose for your using environment.

This model has NO SPECIFIC PROTECTION.

| Level                  | Description  |
|------------------------|--|
| Top-level protection   | Hikvision products at this level are equipped for use in areas where professional anti-corrosion protection is a must. Typical application scenarios include coastlines, docks, chemical plants, and more.   |
| Moderate protection    | Hikvision products at this level are equipped for use in areas with moderate anti-corrosion demands. Typical application scenarios include coastal areas about 2 kilometers (1.24 miles) away from coastlines, as well as areas affected by acid rain. |
| No specific protection | Hikvision products at this level are equipped for use in areas where no specific anti-corrosion protection is needed.  |

▪ **Dimension**



Unit: mm (inch)

▪ **Accessory**

▪ **Optional**

| DS-1330HZ<br>Housing   | DS-1332HZ<br>Indoor Housing  | HV1140P-8MPIRA<br>Mega-pixel P-Iris<br>Lens  | DS-1330HZ<br>Indoor Housing  | TV0550D-6MPIR<br>Lens   |
|--|--|--|--|---|
|   |   |   |  |  |
| DS-1299ZJ<br>Pendant Mount   | DS-1292ZJ<br>Wall mount  | HV3816P-8MPIR<br>Mega-pixel P-Iris<br>Lens   |  |   |
|  |  |  |  |   |

Distributed by

**HIKVISION®****Headquarters**

No.555 Qianmo Road, Binjiang District,  
Hangzhou 310051, China  
T +86-571-8807-5998  
overseasbusiness@hikvision.com

**Hikvision USA**  
T +1-909-895-0400  
sales.usa@hikvision.com

**Hikvision Australia**  
T +61-2-8599-4233  
salesau@hikvision.com

**Hikvision India**  
T +91-22-28469900  
sales@pramahikvision.com

**Hikvision Canada**  
T +1-866-200-6690  
sales.canada@hikvision.com

**Hikvision Thailand**  
T +662-275-9949  
sales.thailand@hikvision.com

**Hikvision Europe**  
T +31-23-5542770  
sales.eu@hikvision.com

**Hikvision Italy**  
T +39-0438-6902  
info.it@hikvision.com

**Hikvision Brazil**  
T +55 11 3318-0050  
Latam.support@hikvision.com

**Hikvision Turkey**  
T +90 (216)521 7070- 7074  
sales.tr@hikvision.com

**Hikvision Malaysia**  
T +601-7652-2413  
sales.my@hikvision.com

**Hikvision UK & Ireland**  
T +01628-902140  
sales.uk@hikvision.com

**Hikvision South Africa**  
Tel: +27 (10) 0351172  
sale.africa@hikvision.com

**Hikvision France**  
T +33(0)1-85-330-450  
info.fr@hikvision.com

**Hikvision Kazakhstan**  
T +7-727-9730667  
nikia.panfilov@hikvision.ru

**Hikvision Vietnam**  
T +84-974270888  
sales.vt@hikvision.com

**Hikvision UAE**  
T +971-4-4432090  
salesme@hikvision.com

**Hikvision Singapore**  
T +65-6684-4718  
sg@hikvision.com

**Hikvision Spain**  
T +34-91-737-16-55  
info.es@hikvision.com

**Hikvision Tashkent**  
T +99-87-1238-9438  
uzb@hikvision.ru

**Hikvision Hong Kong**  
T +852-2151-1761  
info.hk@hikvision.com

**Hikvision Russia**  
T +7-495-669-67-99  
saleru@hikvision.com

**Hikvision Korea**  
T +82-(0)31-731-8817  
sales.korea@hikvision.com

**Hikvision Poland**  
T +48-22-460-01-50  
info.pl@hikvision.com

**Hikvision Indonesia**  
T +62-21-2933759  
Sales.Indonesia@hikvision.com

**Hikvision Colombia**  
sales.colombia@hikvision.com