

HM-P201- MACRO Thermography Camera Macro Lens



The HIKMICRO HM-P201-MACRO macro lens allows you to spot potential design flaws, evaluate PCB hot spots, and inspect small electronic components. Easily clips onto HIKMICRO Pocket-series thermal imaging cameras. HIKMICRO HM-P201-MACRO macro lens is compatible with the Pocket series (Pocket1, Pocket2) thermography cameras.

Key Features

- High Accuracy: Max(± 3 °C/5.4 °F, $\pm 3\%$), for object temperature between 0 °C (32 °F) to 150 °C (302 °F)
- See Smaller: Small details are clearly visible, imaging the target as small as 100 μm x 100 μm
- Easy installation: Easy to attach the macro lens to compatible cameras
- No Calibration Required: Ready to use once installed, saves the hassle of sending the camera to the manufacturer to calibrate the lens

▪ Specification

Infrared Image	
Focal Length	4.1 mm
FOV (Field of View)	47.6° (H) × 36.1° (V)
IFOV (Spatial Resolution)	2.93mrad
Focus Distance	30 mm ± 1 mm (1.18" ± 0.04")
Min. Target Size for Imaging	100 μm × 100 μm
Min. Temperature Target	500 μm × 500 μm
Measurement and Analysis	
Object Temperature Range	-20 to 150°C(-4 to 302°F)
Accuracy	Max(±3°C/3.6°F, ±3%)
General	
Working Temperature Range	-20°C to 50°C (-4°F to 122°F)
Weight	9 g (0.02lb)
Dimension	44.2 mm × 25.16 mm × 87.2 mm (1.74" × 0.99" × 3.43")

▪ Typical Application

Research & Development
Electronic Design Verification and Validation
Printed Circuit Board (PCB) Inspection
Electronic Component Testing
Mobile Phone Repair

▪ Running Environment

HIKMICRO HM-P201-MACRO macro lens allows you to focus extremely close up 30mm on a very small subject so that it appears much larger in the view (and in the final image) compared to the standard lens.

It allows you to capture accurate temperature measurements of small targets as small as 500μm x 500μm without changing lenses.

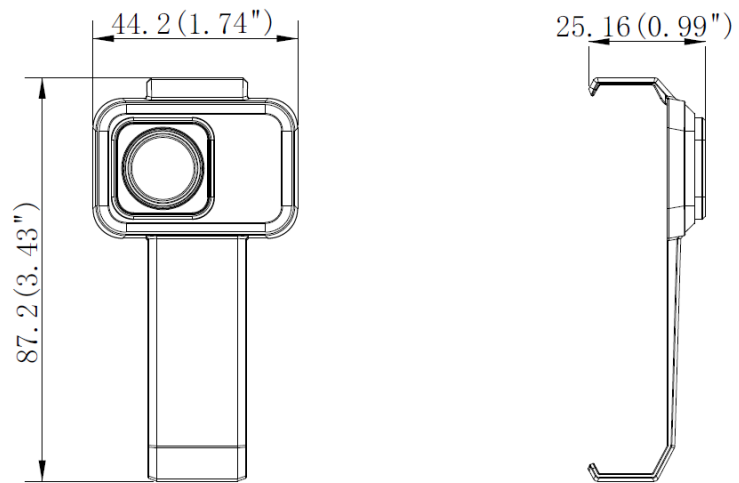
Get an incredibly detailed image of very small objects so you can gain insight into thermal buildup and dissipation on printed circuit boards, identify a faulty or undersized component, or potentially even pinpoint precise faulty locations on electrical equipment.

▪ Available Model

HM-P201-MACRO

▪ Dimension

Unit: mm [Inch]



▪ Compatible Products

Pocket2



PocketC





 HIKMICRO Thermography  hikmicro_thermography  HIKMICRO Thermography  HIKMICRO  info@hikmicrotech.com  <http://hikmicrotech.com/en>

© Hangzhou Microimage Software Co., Ltd. All Rights Reserved.

*Note: Specifications are subject to change without notice. For the current specs,
please go to www.hikmicrotech.com