

DS-KB2421T-IM
Four-Wire Analog Door Station

- Hands-free video intercom communication
- Supports two door stations simultaneously in the intercom system
- Self-adaptive IR supplement (with photoresistor)
- One-touch calling
- 2MP sensor with 960 × 576 stream resolution
- Unlock controlling
- Anti-oxidant aluminium alloy
- Convenient installation and easy operation

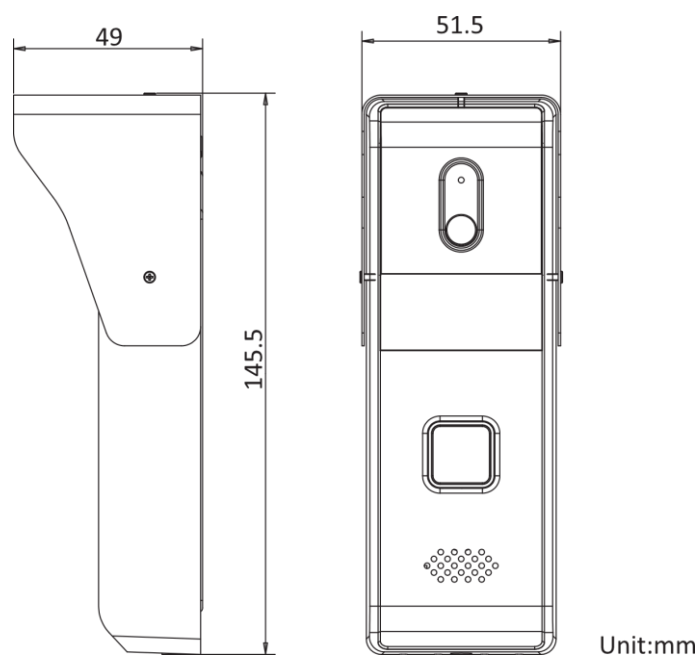
▪ Specification

Video parameters	
Camera	1/2.7" CMOS
Resolution	1920 × 1080 Stream resolution: 960 × 576
Video Frame Rate	PAL: 25 fps
FOV	Horizontal: 66.2°, Vertical: 37.2°
Audio parameters	
Audio Input	Built-in omnidirectional microphone
Audio Output	Built-in loudspeaker
Audio Quality	Noise suppression and echo cancellation
Device interfaces	
Four-wire Interface	1-ch video input, 1-ch audio input/output, 1-ch power supply, 1-ch grounding
I/O Output	1 relay output
General	
Protective level	IP65
Power Supply	12 VDC
Power Consumption	≤ 5 W
Working Temperature	-30°C to 70°C (-22°F to 158°F)
Working Humidity	10% to 90%
Dimensions (L x W x H)	145.5 mm × 51.5 mm × 49 mm (57.3" × 2.02" × 1.93")
Material	Zinc alloy

▪ Available Model

DS-KB2421T-IM

▪ Dimension



- **Accessory**
- **Optional**

DS-KAB21-B
Rain Cover



Headquarters

No.555 Qianmo Road, Binjiang District,
Hangzhou 310051, China
T +86-571-8807-5998
www.hikvision.com



Follow us on social media to get the latest product and solution information.

