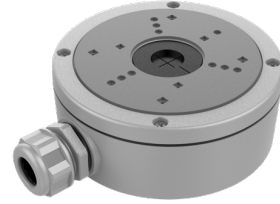


**DS-1280ZJ-S-428C-ACY**  
**Junction box**



- Junction Box
- Anti-Corrosion Protection

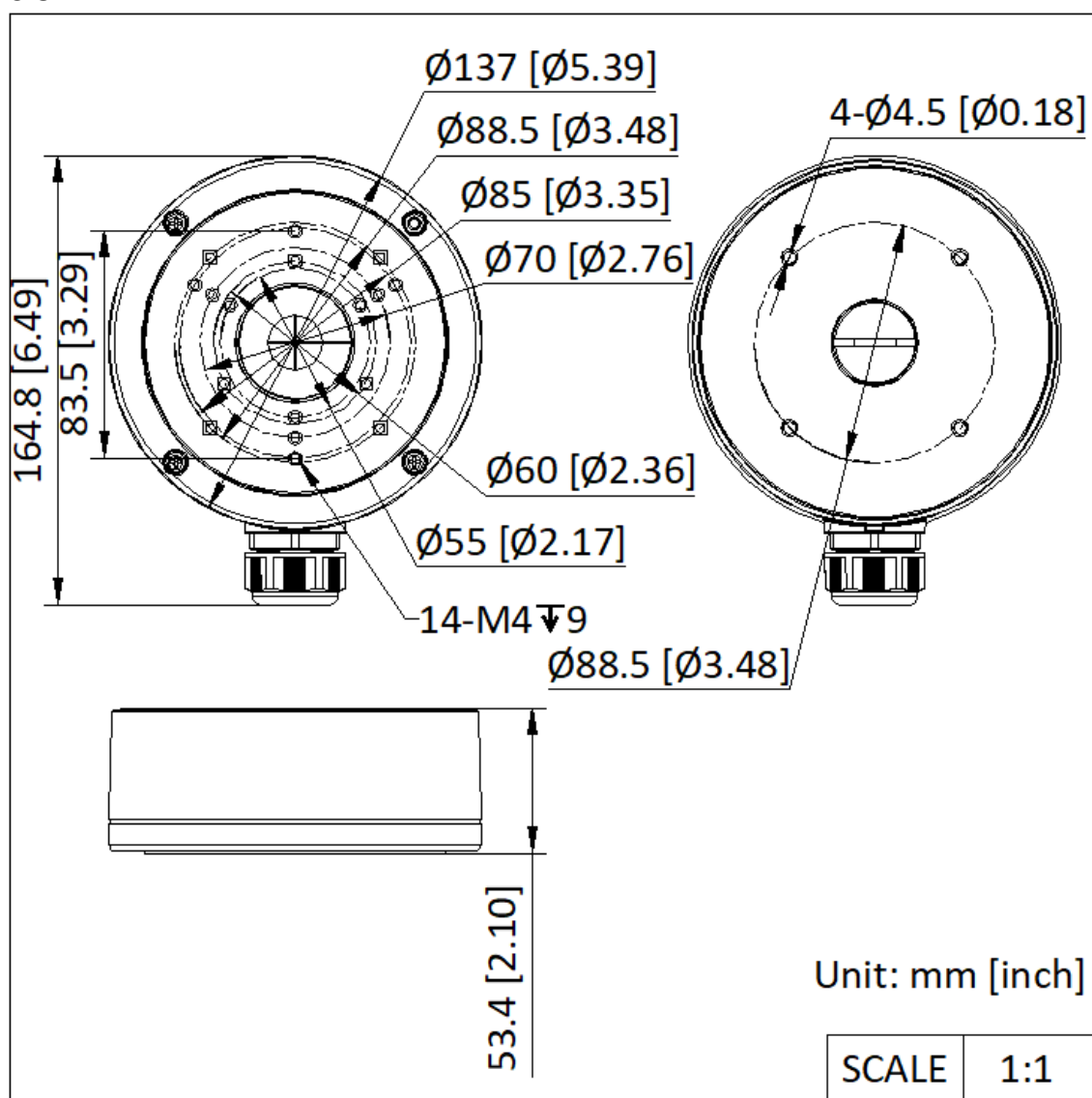
▪ **Specification**

Parameters	
Weight	0.659 kg (1.46 lb.)
Material	Aluminum Alloy
Dimension	164.8 × 137 × 53.4 mm (6.49" × 5.40" × 2.11")

▪ **Available Model**

DS-1280ZJ-S-428C-ACY

▪ **Dimension**



▪ **Accessory**



DS-2XC6047G0-L(S)



DS-2XC6027G0-L(S)

**Headquarters**

No.555 Qianmo Road, Binjiang District,  
Hangzhou 310051, China  
T +86-571-8807-5998  
www.hikvision.com



Follow us on social media to get the latest product and solution information.

