

## THC-B129-MS 2MP ColorVu Audio Fixed Mini Bullet Camera

### ColorVu



- High quality imaging with 2 MP, 1920 × 1080 resolution
- 24/7 color imaging with F1.0 aperture
- 3D DNR technology delivers clean and sharp images
- 2.8 mm, 3.6 mm fixed focal lens
- Up to 20 m white light distance for bright night imaging
- High quality audio with audio over coaxial cable, built-in mic
- One port for four switchable signals (TVI/AHD/CVI/CVBS)
- Water and dust resistant (IP66)

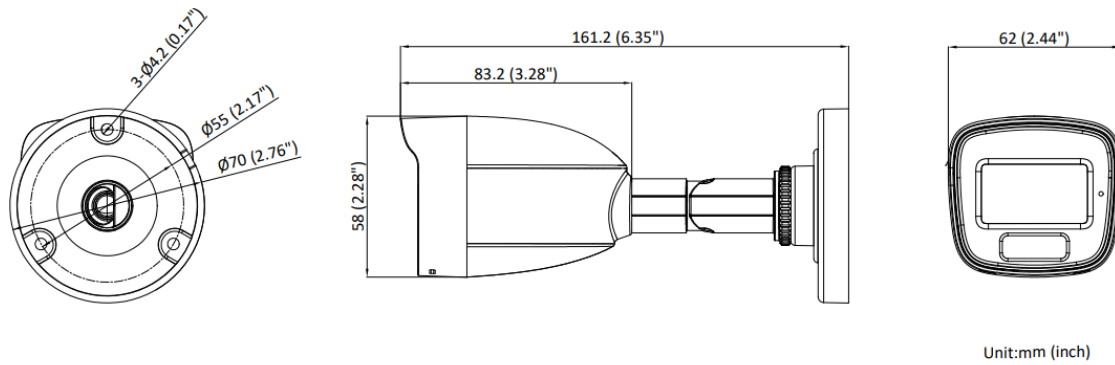
## ▪ Specification

<b>Camera</b>	
Image Sensor	2 MP CMOS
Max. Resolution	1920 (H) × 1080 (V)
Min. Illumination	0.001 Lux @ (F1.0, AGC ON), 0 Lux with white light
Shutter Time	PAL: 1/25 s to 1/50,000 s; NTSC: 1/30 s to 1/50,000 s
Angle Adjustment	Pan: 0° to 360°, Tilt: 0° to 180°, Rotate: 0° to 360°
Signal System	PAL/NTSC
<b>Lens</b>	
Lens Type	2.8 mm, 3.6 mm fixed focal lens
Focal Length & FOV	2.8 mm, horizontal FOV: 105°, vertical FOV: 55°, diagonal FOV: 125° 3.6 mm, horizontal FOV: 84°, vertical FOV: 45°, diagonal FOV: 99°
Lens Mount	M12
<b>Illuminator</b>	
Supplement Light Type	White Light
Supplement Light Range	Up to 20 m
Smart Supplement Light	Yes
<b>Image</b>	
Image Parameters Switch	STD/HIGH-SAT/HIGHLIGHT
Image Settings	Brightness, Sharpness, Anti-banding, AGC
Frame Rate	TVI: 1080p @25 fps/30 fps CVI: 1080p @25 fps/30 fps AHD: 1080p @25 fps/30 fps CVBS: PAL/NTSC
Day/Night Mode	Color
Wide Dynamic Range (WDR)	Digital WDR
Image Enhancement	DWDR, BLC, HLC, Global
Noise Reduction	3D DNR/2D DNR
White Balance	Auto, Manual
<b>Interface</b>	
Video Output	Switchable TVI/AHD/CVI/CVBS
Alarm	Solid Light Alarm (White Light)
<b>General</b>	
Material	Metal
Power	12 VDC ± 25%, max. 2 W, *You are recommended to use one power adapter to supply the power for one camera.
Dimension	∅70 mm × 161.2 mm (2.76" × 6.35")
Weight	Approx. 286 g (0.63 lb.)
Operating Condition	-40 °C to 60 °C (-40 °F to 140 °F). Humidity: 90% or less (non-condensing)
Communication	HIKVISION-C
Language	English
<b>Approval</b>	
Protection	IP66

▪ **Available Model**

THC-B129-MS (2.8/3.6 mm)

▪ **Dimension**



▪ **Accessory**

▪ **Optional**

**DS-1280ZJ-XS  
Junction Box**



