

TURBO HD DVR

EV-8004TURBO-D

epcom[®]

Professional Video Surveillance Solutions

Key Feature

- Deep learning-based motion detection 2.0 for all analog channels
- Deep learning-based perimeter protection
- H.265 Pro+/H.265 Pro/H.265/H.264+/H.264 video compression
- HDTVI/AHD/CVI/CVBS/IP video inputs
- Audio via coaxial cable
- Up to 6/12/24-ch IP camera inputs (up to 6 MP)
- Up to 10 TB capacity per HDD



Compression and Recording

- H.265 Pro+ video compression improves encoding efficiency, and reduces data storage costs
- Full channel recording at up to 1080p resolution.

Storage and Playback.

- Smart search for efficient playback
- Support the third party cloud storage

Network & Ethernet Access.

- Deep learning-based motion detection, and perimeter protection (line crossing and intrusion detection)
- Support multiple VCA (Video Content Analytics) events for both analog and smart IP cameras

Network & Ethernet Access.

- Compatible with major Wi-Fi dongle products in the market
- Hik-Connect & DDNS (Dynamic Domain Name System) for easy network management
- Output bandwidth limit configurable

epcom[®]

Professional Video Surveillance Solutions

Model	EV-8004TURBO-D
Motion Detection 2.0¹	
Human/Vehicle Analysis	Deep learning-based motion detection 2.0 is enabled by default for all analog channels, it can classify human and vehicle, and extremely reduce false alarms caused by objects like leaves and lights; Quick search by object or event type is supported
Perimeter Protection¹	
Human/Vehicle Analysis	Up to 2-ch
Recording	
Video compression	H.265 Pro+/H.265 Pro/H.265/H.264+/H.264
Encoding resolution	<p>Main stream:</p> <p>When 1080p lite mode not enabled:</p> <p>For 4 MP stream access: 4 MP lite@15 fps; 1080p lite/720p/WD1/4CIF/VGA/CIF@25 fps (P)/30 fps (N)</p> <p>For 3 MP stream access: 3 MP/1080p/720p/VGA/WD1/4CIF/CIF@15 fps</p> <p>For 1080p stream access: 1080p/720p@15 fps; VGA/WD1/4CIF/CIF@25 fps (P)/30 fps (N)</p> <p>For 720p stream access: 720p/VGA/WD1/4CIF/CIF@25 fps (P)/30 fps (N)</p> <p>When 1080p Lite mode enabled: 4 MP lite/3 MP@15 fps; 1080p lite/720p lite/VGA/WD1/4CIF/CIF@25 fps (P)/30 fps (N)</p> <p>Sub-stream: WD1/4CIF@12 fps; CIF@25 fps (P)/30 fps (N)</p>
Video bitrate	32 Kbps to 6 Mbps
Dual stream	Support
Stream type	Video, Video & Audio
Audio compression	G.711u
Audio bitrate	64 Kbps
Video and Audio	
IP video input²	<p>1-ch (up to 5-ch) Enhanced IP mode on: 2-ch (up to 6-ch), each up to 4 Mbps</p> <p>Up to 6 MP resolution Support H.265+/H.265/H.264+/H.264 IP cameras</p>
Analog video input	<p>4-ch BNC interface (1.0 Vp-p, 75 Ω), supporting coaxitron connection</p>
HDTVl input	3K@20 fps, 4 MP@30 fps, 4 MP@25 fps, 3 MP@18 fps, 1080p30, 1080p@25 fps, 720p@60 fps, 720p@50 fps, 720p@30 fps, 720p@25 fps
AHD input	4 MP@25 fps, 4 MP@30 fps, 1080p@25 fps, 1080p@30 fps, 720p@25 fps, 720p@30 fps

HDCVI input	4 MP@25 fps, 4 MP@30 fps, 1080p@25 fps, 1080p@30 fps, 720p@25 fps, 720p@30 fps
CVBS input	PAL/NTSC
CVBS output	1-ch, BNC (1.0 Vp-p, 75 Ω), resolution: PAL: 704 × 576, NTSC: 704 × 480
HDMI output	1-ch, 1920 × 1080/60 Hz, 1280 × 1024/60 Hz, 1280 × 720/60 Hz, 1024 × 768/60 Hz
VGA output	1-ch, 1920 × 1080/60 Hz, 1280 × 1024/60 Hz, 1280 × 720/60 Hz, 1024 × 768/60 Hz
Video output mode	HDMI/VGA simultaneous output
Audio input³	1-ch (up to 8-ch is optional), RCA (2.0 Vp-p, 1 KΩ)
	4-ch via coaxial cable
Audio output	1-ch, RCA (Linear, 1 KΩ)
Two-way audio	1-ch, RCA (2.0 Vp-p, 1 KΩ) (using the first audio input)
Synchronous playback	4-ch
Network	
Remote connection	32
Network protocol	TCP/IP, PPPoE, DHCP, Hik-Connect, DNS, DDNS, NTP, SADP, NFS, iSCSI, UPnP™, HTTPS, ONVIF
Network interface	1, RJ45 10/100 Mbps self-adaptive Ethernet interface
Wi-Fi	Connectable to Wi-Fi network by Wi-Fi dongle through USB interface
Auxiliary interface	
SATA	1 SATA interface, up to 10 TB capacity for each disk
Serial interface	RS-485 (half-duplex)
USB interface	Front panel: 1 × USB 2.0; Rear panel: 1 × USB 2.0
Alarm in/out³	4 in /1 out
General	
Power supply	12 VDC, 1.5 A
Consumption (without HDD)	≤ 18 W
Working temperature	-10 °C to 55 °C (14 °F to 131 °F)
Working humidity	10% to 90%
Dimension (W × D × H)	315 × 242 × 45 mm (12.4 × 9.5 × 1.8 inch)
Weight (without HDD)	≤ 1.16 kg (2.6 lb)

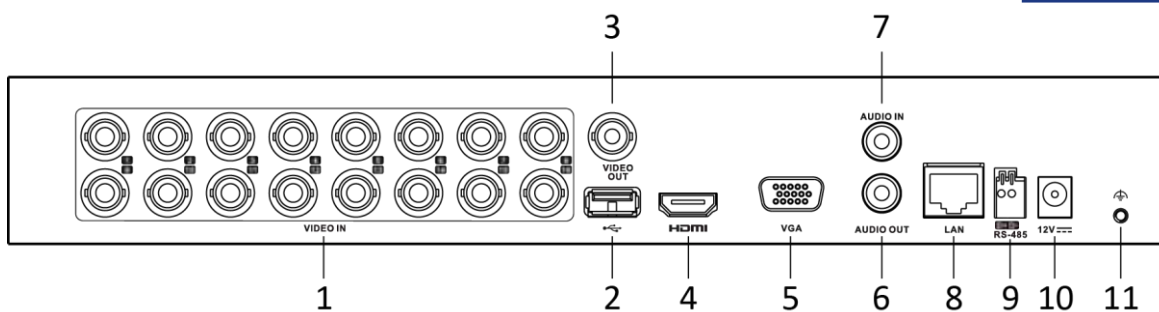
Note:

1: Motion detection 2.0 and perimeter protection cannot be enabled at the same time. Enable one function will make the other one unavailable.

2: Enhanced IP mode might be conflicted with smart events (motion detection 2.0 and perimeter protection) or other functions, please refer to the user manual for details.

3: The number of audio inputs and alarm in/out can be optional. The tag on the package will describe audio input and alarm in/out parameters. For example, "4A+8/4ALM" means your device has 4 audio inputs, 8 alarm inputs and 4 alarm outputs. If your device only has 1 audio input, the tag may not describe it.

Physical Interface



*: The rear panel of EV8004TURBOD provides 4 video input interfaces. The rear panel of EV8004TURBOD M1/S provides 8 video input interfaces.

No.	Description	No.	Description
1	VIDEO IN	7	AUDIO IN, RCA connector
2	USB interface	8	LAN network interface
3	VIDEO OUT	9	RS-485 serial interface
4	HDMI interface	10	12 VDC power input
5	VGA interface	11	GND
6	AUDIO OUT, RCA connector		