

DS-2CE10DF0T-LFS 2MP ColorVu Audio Fixed Mini Bullet Camera



- High quality imaging with 2 MP, 1920 × 1080 resolution
- 24/7 color imaging with F1.0 aperture
- 3D DNR technology delivers clean and sharp images
- 2.8 mm, 3.6 mm fixed focal lens
- Up to 20 m white light distance for bright night imaging
- Up to 20 m IR distance for bright night imaging
- High quality audio with audio over coaxial cable, built-in mic
- One port for four switchable signals (TVI/AHD/CVI/CVBS)
- Water and dust resistant (IP67)

▪ Specification

| Camera | |
|--------------------------|--|
| Image Sensor | 2 MP CMOS |
| Max. Resolution | 1920 (H) × 1080 (V) |
| Min. Illumination | 0.001 Lux @ (F1.0, AGC ON), 0 Lux with white light |
| Shutter Time | PAL: 1/25 s to 1/50,000 s; NTSC: 1/30 s to 1/50,000 s |
| Day & Night | ICR |
| Angle Adjustment | Pan: 0° to 360°, Tilt: 0° to 90°, Rotate: 0° to 360° |
| Signal System | PAL/NTSC |
| Lens | |
| Lens Type | 2.8 mm and 3.6 mm fixed focal lens |
| Focal Length & FOV | 2.8 mm, horizontal FOV: 105°, vertical FOV: 56°, diagonal FOV: 126° 3.6 mm, horizontal FOV: 84°, vertical FOV: 46°, diagonal FOV: 98° |
| Lens Mount | M12 |
| Illuminator | |
| Supplement Light Type | IR, White Light |
| Supplement Light Range | IR: Up to 20 m, White Light: Up to 20 m |
| Smart Supplement Light | Yes |
| Image | |
| Image Parameters Switch | STD/HIGH-SAT/HIGHLIGHT |
| Image Settings | Brightness, Sharpness, Anti-banding, AGC |
| Frame Rate | TVI: 1080p @25 fps/30 fps CVI: 1080p @25 fps/30 fps AHD: 1080p @25 fps/30 fps CVBS: PAL/NTSC |
| Day/Night Mode | Auto/Color/BW (Black and White) |
| Wide Dynamic Range (WDR) | Digital WDR |
| Noise Reduction | 3D DNR/2D DNR |
| White Balance | Auto, Manual |
| Image Enhancement | DWDR, BLC, HLC, Global |
| Interface | |
| Video Output | Switchable TVI/AHD/CVI/CVBS |
| General | |
| Material | Front cover: Plastic, Main body: Metal |
| Power | 12 VDC ± 25%, max. 2.9 W, *You are recommended to use one power adapter to supply the power for one camera. |
| Dimension | 161.1 mm × 68.4 mm × 65.2 mm (6.34" × 2.69" × 2.57") |
| Weight | Approx. 395 g (0.87 lb.) |
| Operating Condition | -40 °C to 60 °C (-40 °F to 140 °F). Humidity 90% or less (non-condensing) |
| Communication | HIKVISION-C |
| Language | English |

Approval

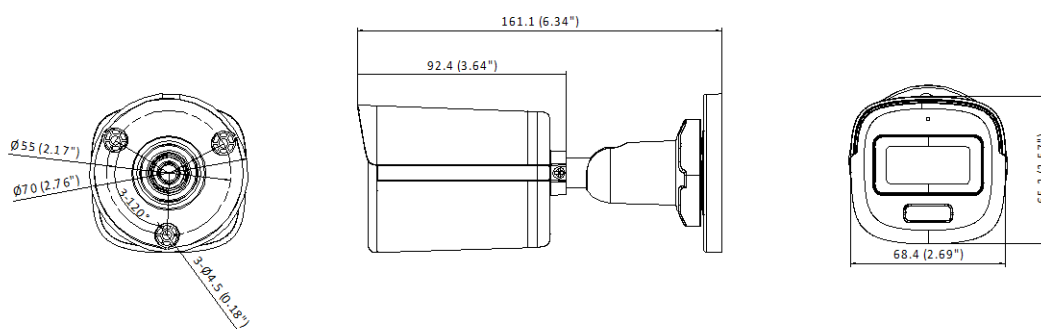
| | |
|------------|------|
| Protection | IP67 |
|------------|------|

▪ **Available Model**

DS-2CE10DF0T-LFS(2.8mm)

DS-2CE10DF0T-LFS(3.6mm)



▪ **Dimension**



Unit:mm (inch)

▪ **Accessory**

▪ **Optional**

| DS-1280ZJ-XS Junction Box | DS-2280ZJ Wall Mount |
|---|--|
|  |  |

Headquarters

No.555 Qianmo Road, Binjiang District,
Hangzhou 310051, China
T +86-571-8807-5998
www.hikvision.com



Follow us on social media to get the latest product and solution information.

