

3K ColorVu Audio Fixed Mini Bullet Camera

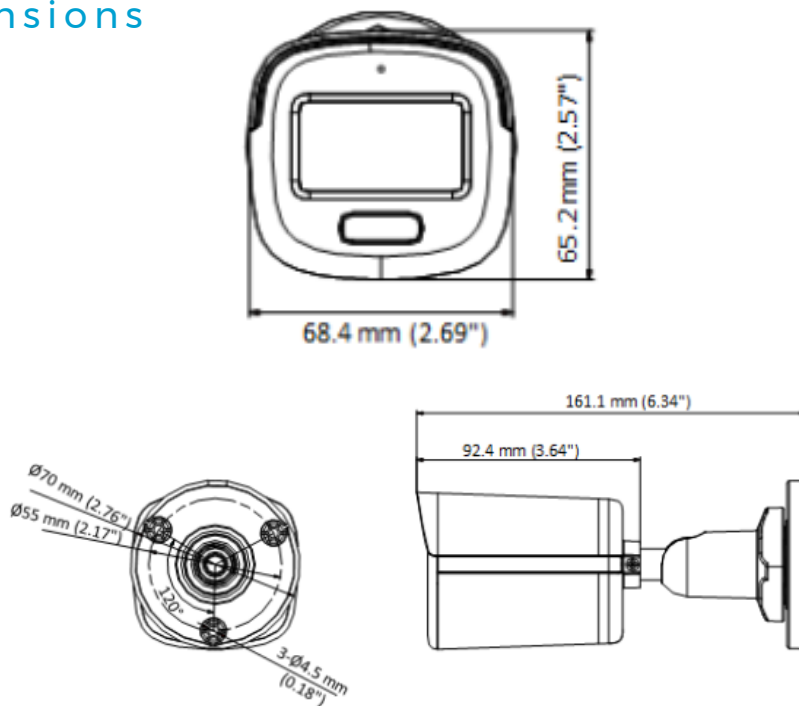
Key Features



- High quality imaging with 3K, 2960 × 1665p resolution.
- 24/7 color imaging with F1 aperture.
- 2.8 mm, fixed focal lens.
- Up to 20 m white light distance for bright night imaging.
- One port for four switchable signals (TVI/ AHD/ CVI/ CVBS).
- Water and dust resistant (IP67).
- High quality audio with audio over coaxial cable, built-in. mic.

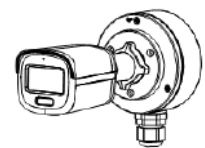


Dimensions



DS-1280ZJ-XS

Junction box



Camera	
Image Sensor	3K CMOS
Signal System	PAL/NTSC
Resolution	2960 (H) × 1665 (V)
Frame Rate	TVI: 3K@20fps, 4 MP@25fps/30fps, 1080p@25fps/30fps AHD: 5 MP@20fps, 4 MP@25fps/30fps CVI: 4 MP@25fps/30fps CVBS: PAL/NTSC
Min. Illumination	0.001 Lux @ (F1.0, AGC ON), 0 Lux with white light
Shutter Time	PAL: 1/25 s to 1/50,000 s; NTSC: 1/30 s to 1/50,000 s
Lens	2.8 mm, 3.6 mm fixed focal lens
Field of View	2.8 mm, horizontal FOV: 102°, vertical FOV: 56°, diagonal FOV: 122° 3.6 mm, horizontal FOV: 80°, vertical FOV: 45°, diagonal FOV: 96°
Lens Mount	M12
Light Alarm	Solid Light Alarm (White Light)
Day & Night	24/7 Color Imaging
WDR (Wide Dynamic Range)	Digital WDR
Angle Adjustment	Pan: 0° to 360°, Tilt: 0° to 90°, Rotation: 0° to 360°
Image	
White Light	Auto/Off
Image Mode	STD/HIGH-SAT/HIGHLIGHT
AGC	Yes
Day/Night Mode	Color
White Balance	Auto/Outdoor/Global/Manual
AE (Auto Exposure) Mode	DWDR, BLC, HLC, Global, HLS
Noise Reduction	2D DNR
Language	English
Function	Brightness, Contrast, Mirror, Defective Pixel Correction, Sharpness, Anti-Banding, Smart Light
Interface	
Video Output	Switchable TVI/AHD/CVI/CVBS
Audio In	Built-in mic
General	
Operating Conditions	-40°C to 60°C (-40°F to 140°F), Humidity: 90% or less (non-condensing)
Power Supply	12 VDC ± 25%, <i>*You are recommended to use one power adapter to supply the power for one camera.</i>
Consumption	Max. 2.5 W
Protection Level	IP67
Material	Metal
White Light Range	Up to 20 m
Communication	HIKVISION-C
Dimension	161.1 mm × 70 mm × 70 mm (6.34" × 2.76" × 2.76")
Weight	Approx. 404 g (0.89 lb.)