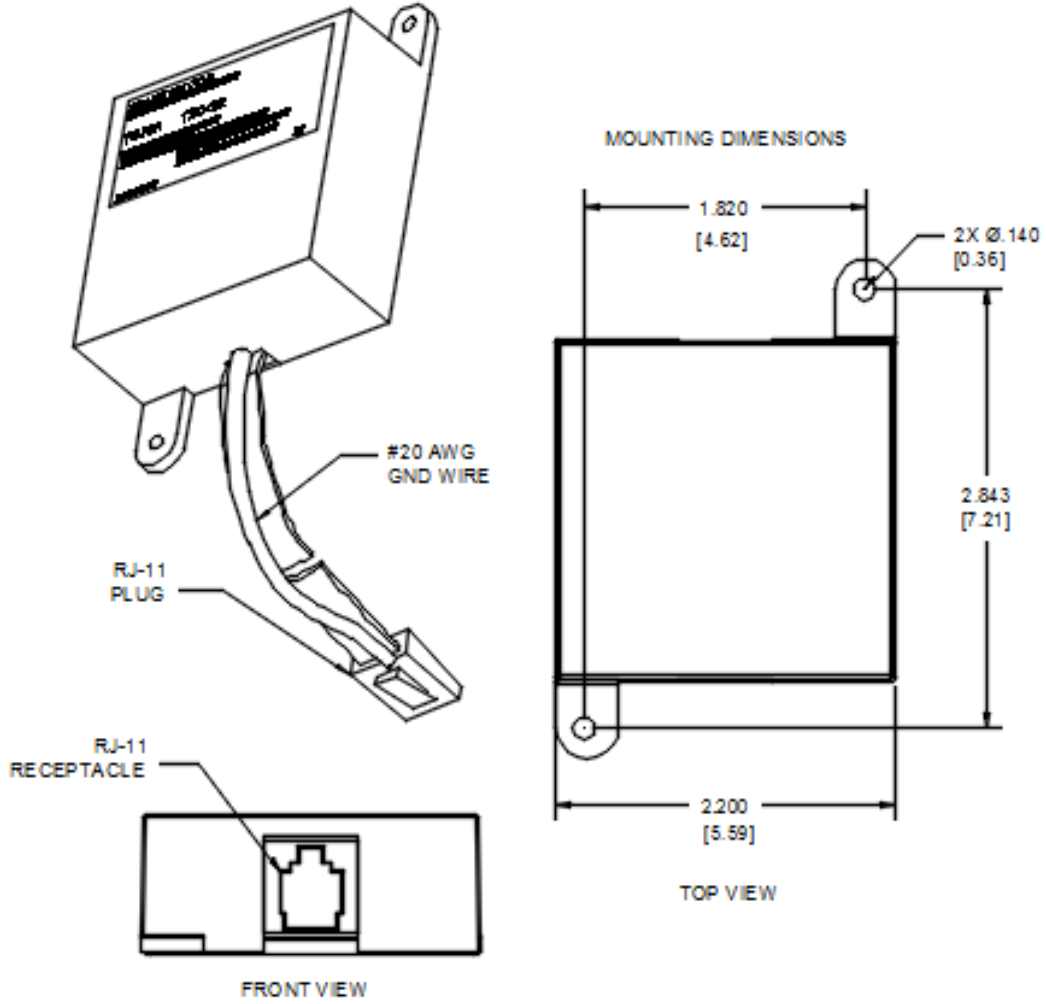


These commodities/technical data are controlled for export by the U.S. State Department. They may not be transferred, transshipped on a non-continuous voyage, or otherwise be disposed of outside of the United States, either in their original form or after being incorporated into other end-items, without the prior written approval of the U.S. Department of State.

REVISIONS				
REV	DESCRIPTION	ECN	DATE	APPROVED
O	PRODUCTION RELEASE		3/11/02	



DRAWN	DWR	DATE	3/11/02
CHECKED	RRR		8/10/04
ENG APPD	CDD		8/30/04
PROJ APPD	BWF		9/1/04
APPROVED			



10701 Airport Drive, Hayden, ID 83835, USA
+1.208.772.8515 FAX +1.208.762.6034
800.882.9110 www.transtector.com

TITLE			
SPECIFICATION TSJ-6A			

NOTICE: THE INFORMATION AND DESIGN IN THIS DOCUMENT IS THE PROPERTY OF TRANSTECTOR SYSTEMS. ALL RIGHTS RESERVED.	SIZE	CAGE	DOCUMENT NUMBER	REV
	A	30992	1400-439	O
	SCALE = N/A	PRODUCT CATEGORY	PAGE 1 OF 2	
		DST		

SUPPRESSOR PERFORMANCE SPECIFICATIONS

MODEL: TSJ 6A

1. GENERAL DESCRIPTION:

The TSJ 6A surge suppressor is a high-current, solid-state device designed to protect equipment from transient over-voltages on telephone lines with RJ-11 connectors using pins 3 and 4. It performs this function by limiting the magnitude of transient over-voltages that are present on the pair relative to each other and from each relative to ground. Continuous bi-polar, bi-directional, non-interrupting protection is provided. The TSJ 6A utilizes silicon junction avalanche suppressor diodes as its sole suppression technology and automatically resets after each suppression function with no degradation of protection capabilities.

The TSJ 6A attaches in series with the load to be protected. It is also equipped with a 12" wire for the purpose of attaching the device to the system GND (required for proper suppression).

2. ELECTRICAL SERVICE:

- 2.1. Maximum Continuous Operating Voltage:.....160V Peak
- 2.2. Connector Type:.....RJ-11
- 2.3. Protected RJ-11 Pins:.....Pins 3-4; Pin 3 to GND; Pin 4 to GND
- 2.4. Pass-Thru RJ-11 Pins:.....Pins 2,5

3. ELECTRICAL PERFORMANCE:

- 3.1. Turn-on Voltage..... $V_{br} \sim 192V @ 5mA$
- 3.2. Maximum Voltage Protection Level (10/1000 μs)..... $264V_p @ 45A$
- 3.3. Maximum Voltage Protection Level (8/20 μs)..... $344V_p @ 400A$
- 3.4. Response Time (Max).....<5ns
- 3.5. Series Impedance.....33 Ohms
- 3.6. Max. Leakage Current.....5 μA

4. ENVIRONMENTAL:

- 4.1. Temperature (Operating and Storage).....-30° to +65°C
- 4.2. Relative Humidity.....90%

5. MECHANICAL:

- 5.1. Dimensions.....2.2" [5.6]X2.2"[5.6]x0.89"[2.26]
- 5.2. Weight.....0.15 lb. [0.068kg]
- 5.3. UL Material Flame Rating.....94-V0
- 5.4. Installation Connections: One (1) RJ-11 female receptacle (input from Line), one (1) RJ-11 plug (output to Equipment), and one green 20 AWG GND wire (to be connected to same system GND as protected equipment).

Note: Trim ground lead as short as possible for optimum suppression.