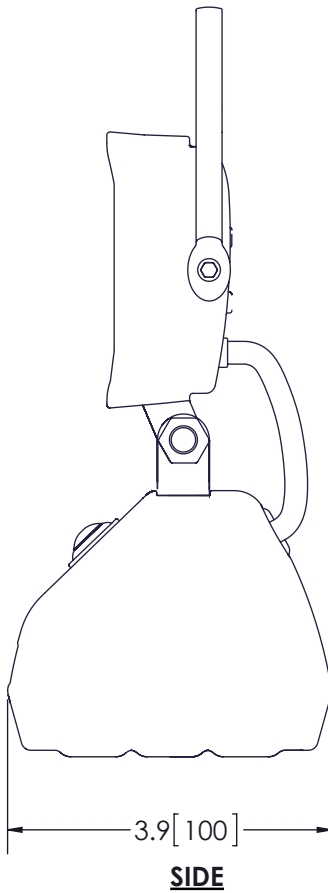
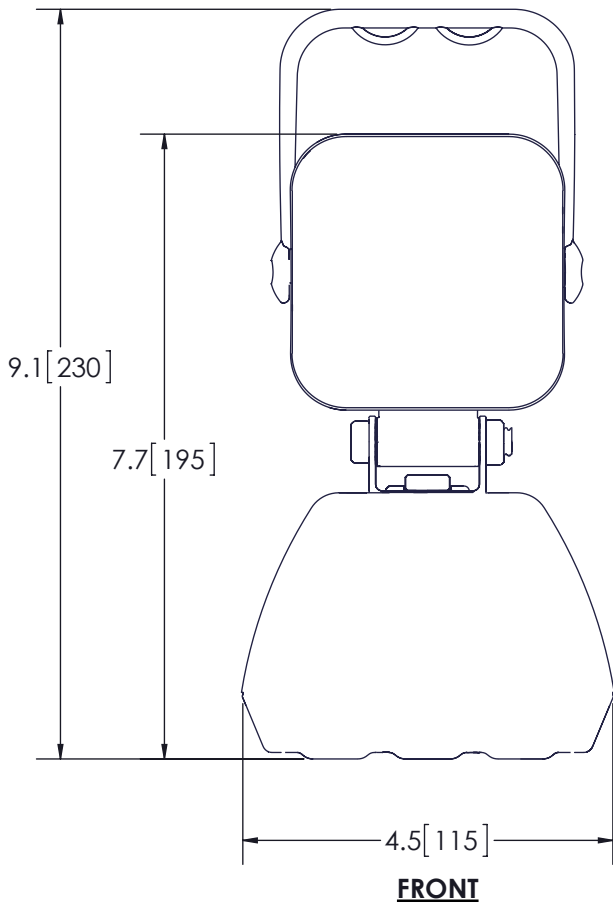


REVISION HISTORY		
REV.	DESCRIPTION	DATE
03	REVISED PER LM14201	2014-04-22
04	REVISED PER LM14201	2014-06-19
A	INITIAL RELEASE PER LM14201	2014-06-25



SPECIFICATIONS

1. **CERTIFICATIONS:**
 Note: Unique components, accessories, and hardware kits are not typically included in the Product Certification Test Protocols. Unless otherwise Specified, the Product Certifications referred to herein are predicated upon the base product model configuration.
2. **LUMINOUS FLUX:** 600 lumens
3. **ILLUMINANCE:** lux
4. **PEAK BEAM INTENSITY:** Candela
5. **EFFICACY:** lm/W
6. **CORRELATED COLOR TEMPERATURE:** 6520K
7. **VOLTAGE (NOMINAL):** VDC
8. **VOLTAGE (EXTREME):** VDC
9. **CURRENT (PEAK):** A (@ 12 VDC NOMINAL)
10. **POWER (MAXIMUM):** W (@ 12 VDC NOMINAL)
11. **TEMPERATURE RANGE:** -22°F (-30°C) TO 122°F (50°C)
12. **CONNECTION:** Battery Powered no power lead
13. **MOUNTING:** MAGNET MOUNT
14. **HOUSING MATERIAL:** ALUMINUM
15. **LENS MATERIAL:** ACRYLIC
16. **PRODUCT WEIGHT:** 1.72 LBS (0.77 Kg)

DISCLAIMER
 Dimensions, Illustrations, Specifications, and Certifications contained in this document are typical of the actual product and are subject to change. ECCO Engineering does not maintain formal design control of this product.

NOTES:
 1. DIMENSIONS IN INCHES[MILLIMETERS (FOR REFERENCE)]

SCALE 1:1		APPROVALS		DATE	
CAD GENERATED DRAWING DO NOT MANUALLY UPDATE. MODEL REFERENCED:		DRAWN BY SNS		2014-06-19	
		CHECKED			
TOLERANCES ARE IN INCHES, AND MILLIMETERS TOLERANCES ARE:		MECH. ENG. JLA			
MILLIMETERS DECIMALS XX. ± 1.0mm XX.X ± 0.5mm	INCHES DECIMALS X.X ± 0.1 X.XX ± 0.04 X.XXX ± 0.02	ANGLES ± 0.5°		ECCO ® Electronic Controls Co. 833 West Diamond Street, Boise, ID 83705 800-635-5900 www.eccolink.com	
		FRACTIONS ± 1/64			
		ELEC. ENG. TJT		WORKLAMP, 5LED, SQUARE, FLOOD, 12-24VDC	
		TEST ENG. JRT			
		SALES. WNH		CUSTOMER PART NO. EW2461	
THIRD ANGLE PROJECTION				PRODUCT SERIES:	
				SIZE: A	
				DWG. NO. EW2461	
		Electronically Controlled Use Latest Copy		REV. A	
		SHEET 1 OF 1		Project: LM14201	
				Date Created: 2014-04-02	

THIS DRAWING AND THE DESIGN IT DISCLOSES ARE THE PRIVATE PROPERTY OF ECCO AND IS ISSUED IN CONFIDENCE FOR ENGINEERING INFORMATION ONLY. THE DRAWING AND / OR DESIGN MAY NOT BE USED, COPIED, REPRODUCED, OR OTHERWISE DISCLOSED IN PART OR AS A WHOLE TO OUTSIDERS OR USED FOR ANY OTHER PURPOSE WITHOUT THE PRIOR WRITTEN CONSENT OF ECCO. THE DRAWING IS SUBJECT TO RECALL AT ANY TIME. YOUR POSSESSION OF THIS DOCUMENT CONSTITUTES ACCEPTANCE OF THESE TERMS. © 2014 ECCO