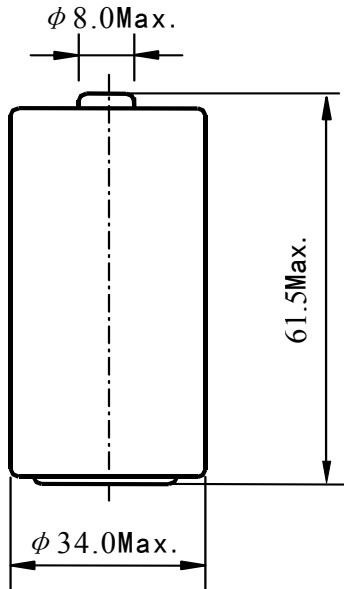


ER346 15H



SPECIFICATION: (23±2°C)

Nominal capacity (2mA~2V):	19Ah
Rated voltage:	3.6V
Max constant current of discharge:	230mA
Max discharge current(pulse):	500mA
Weight:	115g
Operating temperature range:	-55~85°C

S: Standard termination

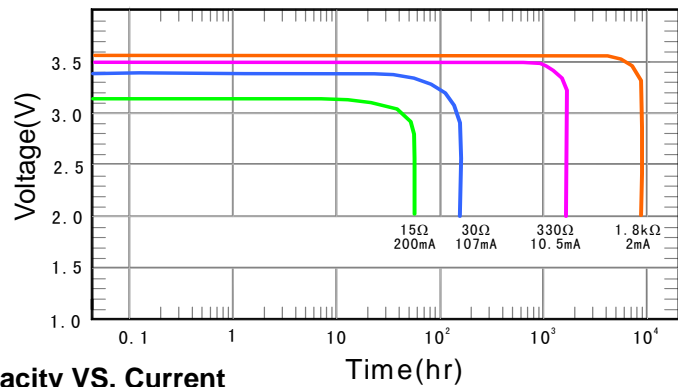
Notes:

- Dimension: mm
- Special terminations can be made as requested.
- T: Solder tabs
- P: Axial pins

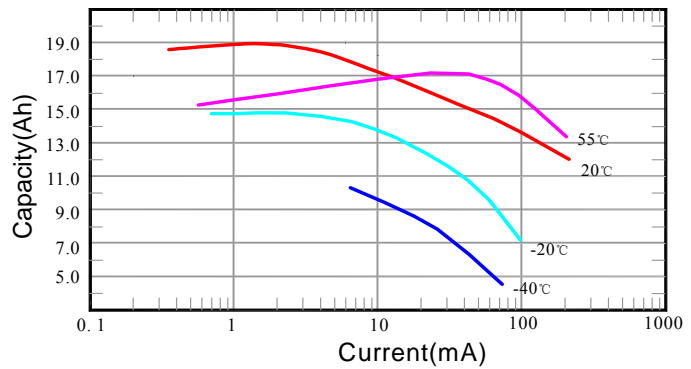
Important Notes

- Do not short or charge the battery.
- Over-discharging, crushing, incinerating, and disassembling the battery are prohibited.
- Do not heat/use the battery beyond the permitted temperature range.

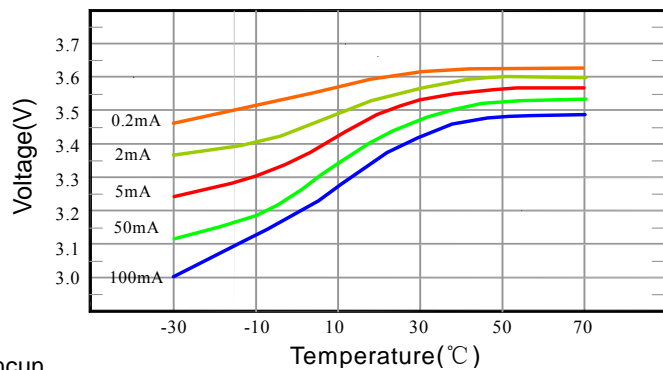
Discharge characteristics at 23±2°C



Capacity VS. Current

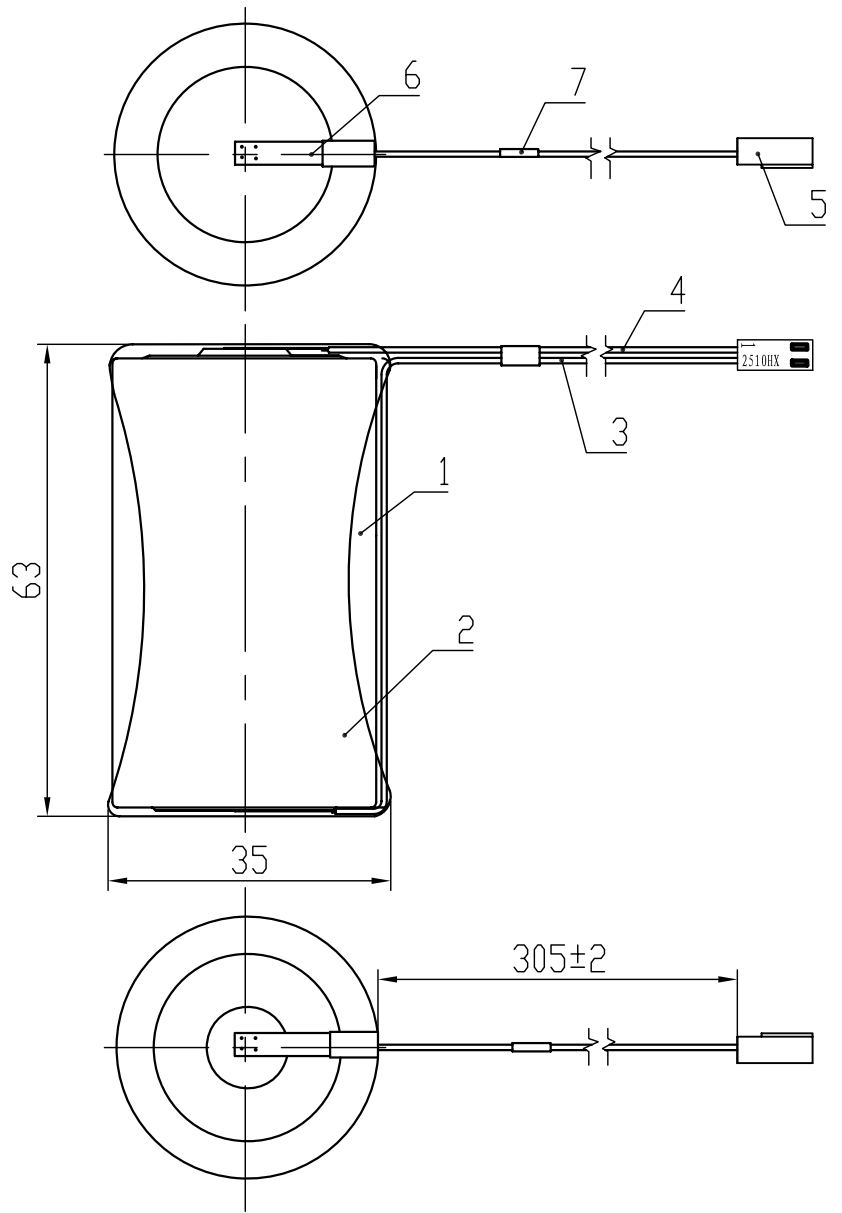


Voltage VS. Temperature



Guangzhou Markyn Battery Co., Ltd.
 YiJia Industrial Park , Shixin Road 1100 ,Nancun
 Town,Panyu District, Guangzhou P.R.C
 Tel:(86)20 — 8456 0852 Fax:(86)20 — 3476 7936
 Email:sale s@gmbattery.com

 U.L. Component Recognition MH 45782



8				
7		The heatshrink tube	3	
6		Nickel strip	2	
5		Connector Molex2510-2P RED¹Black²	1	
4		Red wire UL1007 24AWG	1	
3		Black wire UL1007 24AWG	1	
2		Blue PVC	1	
1		ER34615	1	
NO.				

ER34615

A

1 : 1

1

1