

Design & Utility Patented



DIRECTIONAL LEDS



ED3790 ULTRAFLEX™ SERIES Dual-Color Flexible LED Light

ECCO's ED3790 UltraFlex™ Series is a flexible directional warning light that can be mounted on flat or curved surfaces up to 120° (ED3794) or 72° (ED3793) with self-adhesive, very high bond tape. Its dual-color LEDs provide exceptional output with combinations of amber, white, blue and red colors available in 3" and 4" lengths. The lightheads are protected in a clear, silicone housing that can flex while resisting yellowing and warping making it ideal for any work truck, snowplow, utility vehicle, or any other application. A two-bolt bezel is also included for easy installation on flat surfaces. Design and utility patented.

ED3794 only, selective coverage

ED3794 only

Models

PART NO.

LED COLOR

AMPS

ED3793XX

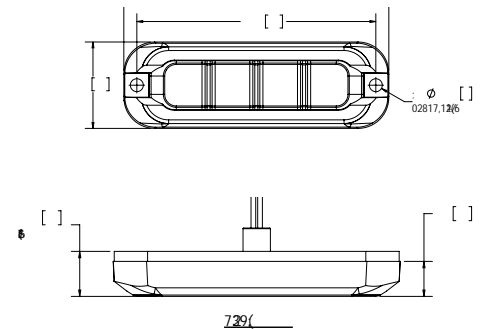


Replace "X" in part number with desired color: A = amber, B = blue, R = red, W = white

Design Features

- 12-24 VDC
- 69 flash patterns including steady burn
- Flexible housing adapts to curved surfaces up to 120° (product cannot be bent in forward position)
- Silicone lens with Dow Corning material, prevents yellowing or aging
- VHB tape mounts to flat or curved surfaces
- Optional bezel for flat surfaces and two-end bezels for flat or curved surfaces
- Sync-capable
- Temperature range: -22°F to 122°F (-30°C to 50°C)

ED3793 w/ Bezel



ED3794 w/ Bezel

