

E8-TURBO-G2/A 2 MP Audio Camera



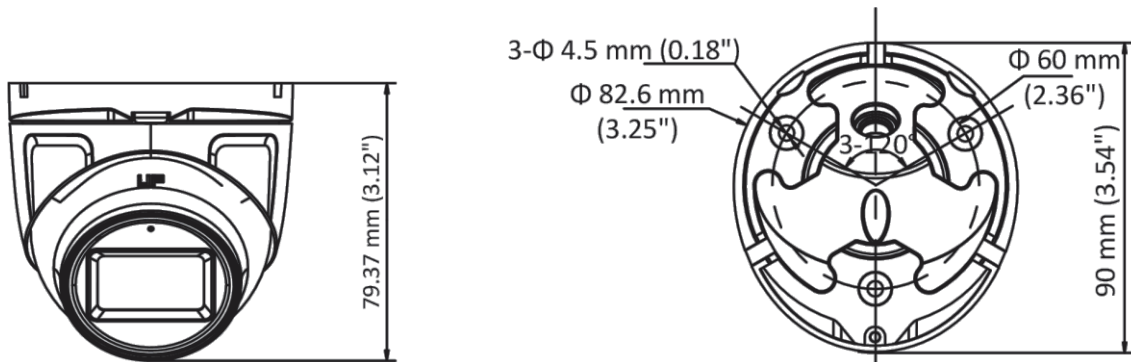
- 2 MP, 1920 × 1080 resolution
- 2.8 mm, 3.6 mm, 6 mm fixed focal lens
- Smart IR, up to 30 m IR distance
- Audio over coaxial cable, built-in mic
- 4 in 1 video output (switchable TVI/AHD/CVI/CVBS)
- IP66

Specification

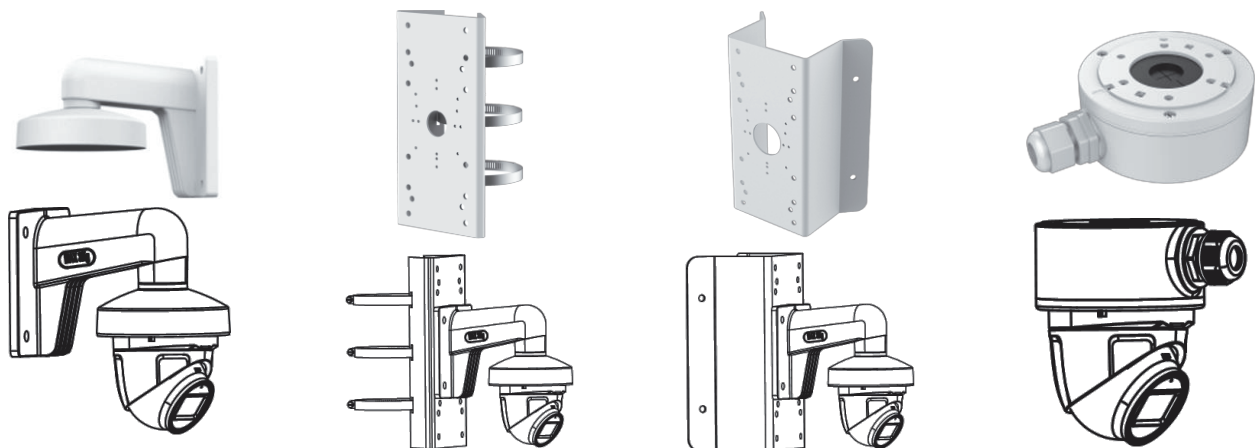
Camera	
Image Sensor	2 MP CMOS
Signal System	PAL/NTSC
Resolution	1920 (H) × 1080 (V)
Frame Rate	TVI: 1080P@30fps, 1080P@25fps AHD: 1080P@30fps, 1080P@25fps CVI: 1080P@30fps, 1080P@25fps CVBS: PAL/NTSC
Min. illumination	0.01 Lux@(F1.2, AGC ON), 0 Lux with IR
Shutter Time	PAL: 1/25 s to 1/50,000 s NTSC: 1/30 s to 1/50,000 s
Lens	2.8 mm, 3.6 mm, 6 mm fixed lens
Field of View	2.8 mm, horizontal FOV: 106.4°, vertical FOV: 57.9°, diagonal FOV: 124.6° 3.6 mm, horizontal FOV: 79.6°, vertical FOV: 43.5°, diagonal FOV: 93.7° 6 mm, horizontal FOV: 51.9°, vertical FOV: 30°, diagonal FOV: 58.8°
Lens Mount	M12
Day & Night	ICR
WDR (Wide Dynamic Range)	Digital WDR
Audio	Built-in mic
Angle Adjustment	Pan: 0 to 360°, Tilt: 0 to 75°, Rotation: 0 to 360°
Menu	
Image Mode	STD/HIGH-SAT
AGC	Yes
Day/Night Mode	Auto/Color/BW (Black and White)
White Balance	Auto/Manual
AE (Auto Exposure) Mode	DWDR/BLC/HLC/Global
Noise Reduction	2D DNR
Language	English
Function	Brightness, Sharpness, Mirror, Smart IR
Interface	
Video Output	Switchable TVI/AHD/CVI/CVBS
General	
Operating Conditions	-40 °C to 60 °C (-40 °F to 140 °F), humidity 90% or less (non-condensing)
Power Supply	12 VDC ± 25%

Power Consumption	Max. 3.7 W
Protection Level	IP66
Material	Metal
IR Range	Up to 30 m
Communication	HIKVISION-C
Dimensions	82.6 mm × 90 mm × 79.37 mm (3.25" × 3.54" × 3.12")
Weight	Approx. 289.5 g (0.64 lb.)

Dimension



Accessory



DS-1272ZJ-110-TRS
Wall Mount

DS-1275Z-SUS
Vertical Pole Mount

DS-1276ZJ-SUS
Corner Mount

DS-1280ZJ-XS
Junction Box

Note:

Certain accessory may not perfectly match with the camera.