

PTZ-T4215I-D(F) 2 MP IR Turbo 4-Inch Speed Dome



HiLook PTZ-T4215I-D(F) IR Turbo 4-Inch Speed Dome is able to capture high quality images in poor light environment. The black anti-reflective glass increases the luminousness which helps IR distance reach up to 100 m.

The embedded CMOS chip makes WDR, and real-time 1920 × 1080 resolution possible. With the help of the 15× optical zoom, and IR cut filter, the camera offers more details over an expansive area.

- 1/2.8" HD progressive scan CMOS
- 1920 × 1080 resolution
- 15× optical zoom, 16× digital zoom
- 120 dB true WDR (Wide Dynamic Range)
- Up to 100 m IR distance
- 3D intelligent positioning
- Switchable TVI/AHD/CVI/CVBS video output

Specification

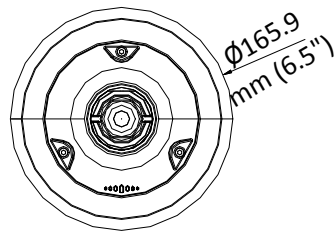
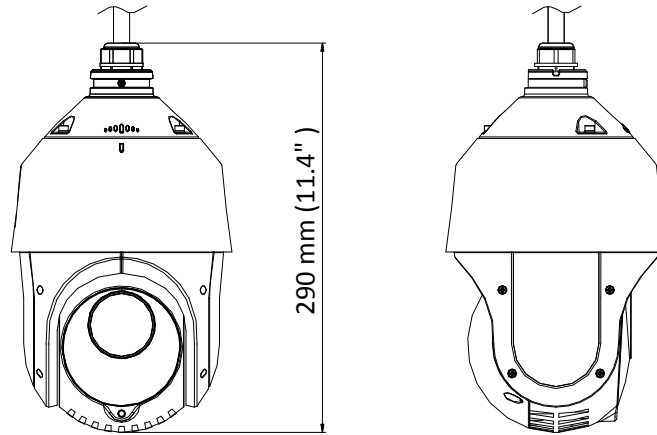
| Camera | |
|------------------------------------|---|
| Model | PTZ-T4215I-D(F) |
| Image Sensor | 1/2.8" progressive scan CMOS |
| Max. Image Resolution | 1920 × 1080 |
| Frame Rate | 50Hz: 25fps @(1920 × 1080) 60Hz: 30fps @(1920 × 1080) |
| Min. Illumination | Color: 0.005 Lux @(F1.6, AGC ON) B/W: 0.001 Lux @(F1.6, AGC ON) 0 lux with IR |
| White Balance | Auto/Hauto/Manual/ATW/Indoor/Outdoor |
| AGC | Auto/Manual |
| DNR | 3D DNR |
| WDR | ≥ 120 dB |
| Shutter Time | PAL: 1/1 s to 1/10,000 s NTSC: 1/1 s to 1/10,000 s |
| Day & Night | IR cut filter |
| Digital Zoom | 16× |
| Privacy Mask | 8 programmable privacy masks |
| BLC (Backlight Compensation) | Yes |
| HLC (highlight Compensation) | Yes |
| EIS (Electric Image Stabilization) | Yes |
| Reginal Focus | Yes |
| Lens | |
| Focus Mode | Auto/Semiauto/Manual |
| Focal Length | 5 mm to 75 mm, 15× Optical |
| Aperture Range | F 1.6 to F 3.5 |
| Horizontal Field of View | 53.8° to 4.0° (wide to tele) |
| Min. Working Distance | 10 mm to 1500 mm (wide to tele) |
| Zoom Speed | Approx. 2.4 s (optical, wide to tele) |
| Pan and Tilt | |
| Pan Range | 360° endless |
| Pan Speed | Pan manual speed: 0.1° to 80°/s Pan preset speed: 80°/s |
| Tilt Range | -15° to 90° (auto flip) |
| Tilt Speed | Tilt manual speed: 0.1° to 80°/s Tilt preset speed: 80°/s |
| Proportional Zoom | Rotation speed can be adjusted automatically according to zoom multiples |
| Presets | 256 |
| Patrol | 10 patrols, up to 32 presets per patrol |
| Pattern | 5 patterns, with the total recording time no less than 10 minutes |
| Power-off Memory | Yes |
| Park Action | Preset/Patrol/Pattern/Pan Scan/Tilt Scan/Panorama Scan/Day Mode/Night Mode/None |
| PTZ Position Display | ON/OFF |

| | |
|---------------------|---|
| Preset Freezing | Yes |
| Scheduled Task | Preset/Patrol/Pattern/Pan Scan/Tilt Scan/Panorama Scan/Day Mode/Night Mode/Zero Calibration/None |
| Infrared | |
| IR Distance | Up to 100 m |
| IR Intensity | Automatically adjusted depending on the zoom ratio |
| Input/Output | |
| Video Output | Switchable TVI/AHD/CVI/CVBS video output, (NTSC or PAL composite, BNC) |
| RS-485 Interface | Half-duplex mode Self-adaptive HIKVISION, Pelco-P, Pelco-D protocol |
| UTC function | UTC protocol (or HIKVISION-C protocol in previous DVR) |
| General | |
| Menu Language | English |
| Power | 12 VDC Max.20 W (IR: 7 W) |
| Working Temperature | -30° C to 65° C (-22° F to 149° F) |
| Working Humidity | 90% or less |
| Protection Level | IP66 standard (outdoor dome) TVS 4,000 V lightning protection, surge protection and voltage transient protection |
| Mounting | Various mounting modes optional |
| Dimension | ∅ 165.9 mm × 290 mm (∅ 6.5" × 11.4") |
| Weight (approx.) | 2 kg (4.41 lb.) |

Order Model

PTZ-T4215I-D(F)

Dimension



Accessory



HIA-B171
Pendant mount



HIA-B172
Pendant mount



HIA-B173
Ceiling mount



HIA-B473
Parapet wall mount



HIA-B471
Wall Mount with
junction box



HIA-B471-P
Vertical pole mount



HIA-B471-C
Corner mount



HIA-B471-B
Wall mount with
junction box



HIA-B471-BP
Vertical Pole Mount
with junction box



HIA-B471-BC
Wall Mount with
junction box



HIA-B371
Gooseneck mount



HIA-B472
Wall mount (short
arm)



HIA-B571
In-ceiling mount