

## AE-IFC00(O-STD)(cable alarm)(2.5m)



### Features and Functions

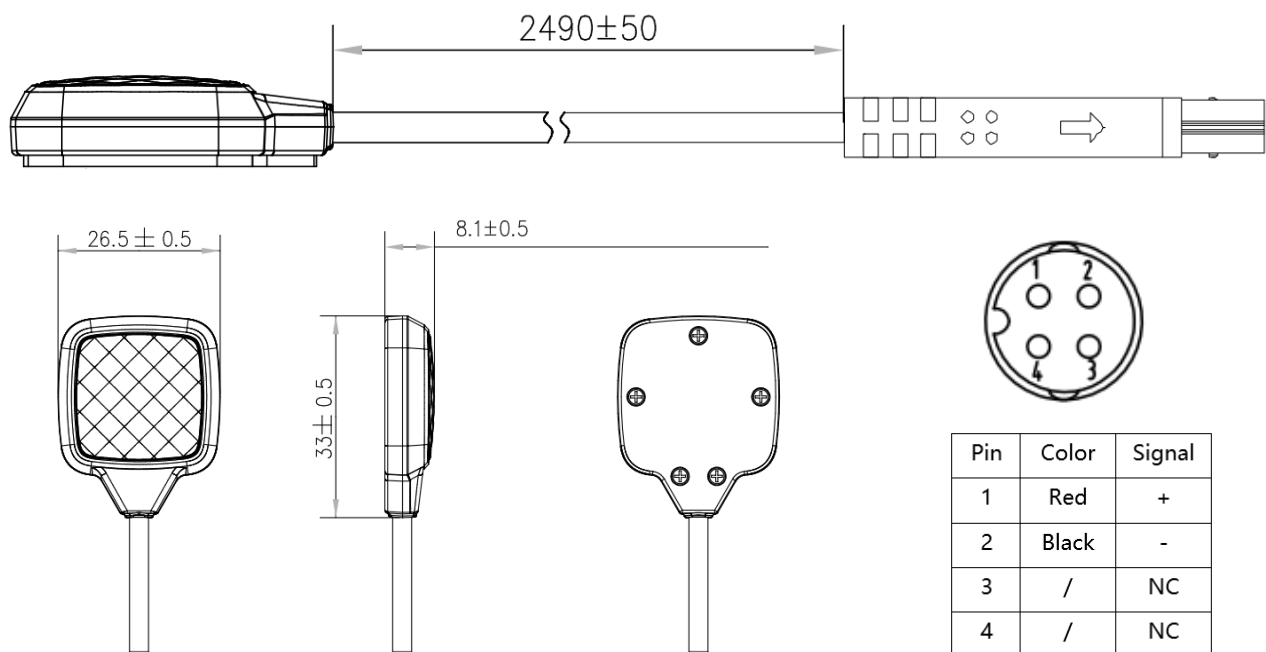
- alarm cable with key of push type, work with HIKVISION product.
- Compliance with RoHS2.0.
- All products are 100% tested for open circuit, short circuit and dislocation.
- The BM interface ensures stability and error-proof.
- Exquisite appearance, self-adhesive, easy to mount.



## Specifications

AE-IFC00(O-STD)(cable alarm)(2.5m)	
Cable length	2.5m
On resistance	2 Ω .Max
Off resistance	2M Ω .Min
Maximum rating	DC12V,50mA
Operating Temperature	-20~+60°C
Storage Temperature	-20~80°C
Size of Key	26.5mm×33mm×8.1mm
Type of actuation	Tactile feedback

## Dimension



## Available Model

309500741 AE-IFC00(O-STD)(cable alarm)(2.5m)

### Headquarters

No.555 Qianmo Road, Binjiang District,  
Hangzhou 310051, China  
T +86-571-8807-5998  
overseasbusiness@hikvision.com

**Hikvision USA**  
T +1-909-895-0400  
sales.usa@hikvision.com

**Hikvision Europe**  
T +31-23-5542770  
saleseuro@hikvision.com

**Hikvision Middle East**  
T +971-4-8816086  
salesme@hikvision.com

**Hikvision Russia**  
T +7-495-669-67-99  
saleru@hikvision.com

**Hikvision India**  
T +91-22-28469900  
sales@pramahikvision.com

**Hikvision Italy**  
T +39-0438-6902  
info.it@hikvision.com

**Hikvision France**  
T +33(0)1-85-330-444  
info.fr@hikvision.com

**Hikvision Spain**  
T +34-91-737-16-55  
info.es@hikvision.com

**Hikvision Poland**  
T +48-22-460-01-50  
poland@hikvision.com

**Hikvision UK**  
T +44-1628-9021-4  
support.uk@hikvision.com

**Hikvision Singapore**  
T +65-6684-4718  
sg@hikvision.com

**Hikvision Oceania**  
T +61-2-8599-4233  
salesau@hikvision.com

**Hikvision Hong Kong**  
T +852-2151-1761

**Hikvision Canada**  
T +1-909-895-0400  
sales.usa@hikvision.com