

DS-QAPMKHC2-2U**UHF Wireless Microphone System 2 Channel Handheld Mic**

- Adopting the UHF ultra-high frequency band, which has less interference and more reliable transmission compared to the traditional VHF band
- The one-touch automatic frequency scanning function that can automatically scan for the cleanest frequency points in the usage environment, ensuring strong environmental adaptability and easy deployment.
- The front monitoring interface can conveniently monitor the receiver's audio output effect
- Supporting both balanced and unbalanced output interfaces to meet different equipment connection requirements
- Supporting dual output modes(mic/line) to match different downstream equipment
- Infrared synchronization function: press the frequency synchronization button on the receiver, and the transmitter will automatically lock onto the receiver's frequency and adjust to be consistent
- The receiver can be set to lock the screen to prevent accidental operation
- The display screen with a new backlight enhancement method makes the transmitter's operating status clear at a glance
- Digital ID pilot technology fundamentally avoids frequency interference and audio crossover issues, intelligently identifies, and reduces system interference
- True diversity reception host, with two chip-level independent systems receiving synchronously, expanding coverage and avoiding spatial dead zones, significantly improving signal quality

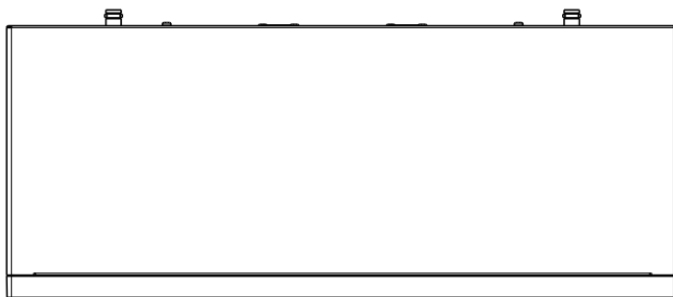
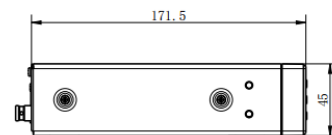
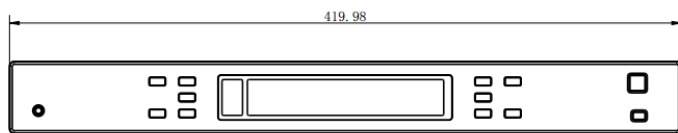
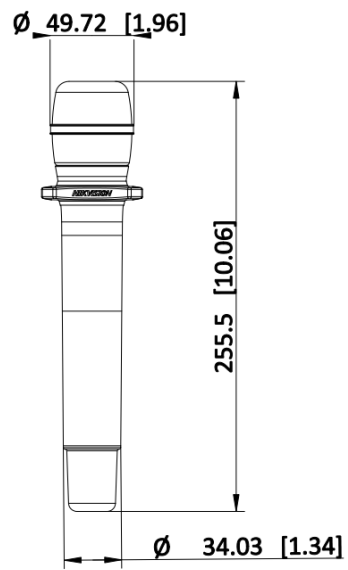
▪ Specification

Microphone	
Type	dynamic
Speaker	
Direction	Hypercardioid
Max. Acoustic Pressure	127 dBSPL
Communication	
Carrier Frequency Range	821 Hz to 942 Hz , High frequency: Kenya, Nigeria, United Arab Emirates, Pakistan, Uzbekistan, Iraq, Kazakhstan, Bulgaria, Estonia, Finland, France, Germany, Lithuania, Malta, Portugal, Slovakia, Spain, Greece, Italy, Poland, Liechtenstein, Norway, Switzerland, San Marino, Vatican City State, Russia, Svalbard (Norwegian), Aland Islands (Finnish), Algeria, Egypt, Tunisia, Mongolia, Mexico
Effective Working Distance	100 m (open, unobstructed)
RF Sensitivity	-99 dBm
Receiver	
Maximum Output Level	XRL (LINE): 18 dBV 6.35 mm (LINE): 12 dBV
Antenna Interface	BNC
Antenna Impedance	50 Ω
Power Supply	12 VDC
Transmitter	
Power Supply	2 × AA
Continuous Working Time	8h (original battery)
Audio	
Frequency Response	30 Hz to 20 kHz
Total Harmonic Distortion (THD)	0.15% (1kHz)
SNR (A-Weighted)	73 dB
Dynamic Range	96 dB
General	
Dimension	Microphone: 255.5 mm × 49.72 mm × 49.72 mm (10.06" × 1.96" × 1.96") Receiver: 419.98 mm × 171.50 mm × 45.00 mm (16.53" × 6.75" × 1.77")
Weight	Microphone: 284 g (0.63 lb.) Receiver: 178 g (0.39 lb.)
Operating Temperature	-10 to 50 °C (14 °F to 122 °F)
Operating Humidity	90%RH

▪ Available Model

DS-QAPMKHC2-2U

▪ Dimension



See Far, Go Further



www.hikvision.com
support@hikvision.com

