

DS-QACAM07G1-4LIZSU
7W Motorized 4MP Visible Horn

- Embedded open-platform camera provides professional image effects and good image input for algorithms
- Support AI perimeter protection to improve image recognition accuracy and reduce false alarms
- Support functions such as wide dynamic range, backlight compensation, defog, and electronic image stabilization
- Up to 4 MP resolution, and at this resolution, it can output 25 fps/30 fps real-time image, making the image smoother
- Support two-way audio function and can be used with HikCentral Professional
- Support output of five different encoding parameter streams separately, with up to 20 concurrent streams
- Support standard MicroSD, MicroSDHC, and MicroSDXC cards, up to 512 GB
- Power supply: 12 VDC 2.125 A; PoE+: 802.3at, Type 2, Class 4
- Built-in 7 W speaker, the outdoor loudspeaker distance can reach up to 100 m

▪ Specification

Model		DS-QACAM07G1-4LIZSU
Camera	Image Sensor	1/3" Progressive Scan CMOS
	Max. Resolution	2560 × 1440
	Min. Illumination	Color:0.005 Lux @(F1.6, AGC ON) Black&White: 0 Lux with IR
	Shutter Time	1 s to 1/100,000 s
	Day & Night	ICR
	Angle Adjustment	Vertical:0° to 80°
	Adjustment Method	Manual Adjustment
Lens	FOV	Horizontal FoV: 99° to 30.4°, Vertical FoV: 52.9° to 17.2°, Diagonal FoV: 117.7° to 34.9°
	Focus	Auto
	Iris Type	Fixed
	Aperture	F1.6
	Focal Length	2.8 to 12 mm
Deep Learning Function	Perimeter Protection	Line crossing, intrusion, region entrance, region exiting Support alarm triggering by specified target types (human and vehicle) Dedicated large scale AI model for perimeter protection, reduce false alarms by 90% compared to conventional AI cameras
	Metadata	Intrusion detection,line crossing detection,region entrance detection,region exiting detection
Microphone	Type	electret
	Amount	2
	Frequency Response	100 Hz to 20 kHz
	Sensitivity	-32 dBV/Pa
	Sampling Rate	48 kHz
	Quantization Bits	16 bit
Speaker	Impedance	8 Ω
	Rated Power	7 W
	Total Harmonic Distortion (THD)	5 %
	Sensitivity(1 m, 1 W)	107 dB
	Maximum Sound Pressure Level	115 dB SPL
	Frequency	500 Hz to 6 kHz

	Response	
	Speaker Unit	Dome Tweeter
Function	Audio Algorithm	AEC, NS, AGC, DRC
	Two-Way Audio	Support
Network	Network Protocol	TCP/IP, ICMP, HTTP, HTTPS, FTP, DHCP, DNS, DDNS, RTP, RTSP, RTCP, PPPoE, NTP, UPnP, SMTP, SNMP, IGMP, 802.1X, QoS, IPv6, UDP, Bonjour, WebSocket, WebSockets
	Interface Protocol (API)	Open Network Video Interface, ISAPI, ISUP5.0
	User Management	Up to 32 users. 3 user levels: administrator, operator, and user
	Network Security	Password protection, complicated password, HTTPS encryption, 802.1X authentication (EAP-TLS, EAP-LEAP, EAP-MD5), watermark, IP address filter, basic and digest authentication for HTTP/HTTPS, WSSE and digest authentication for Open Network Video Interface, RTP/RTSP OVER HTTPS, Control Timeout Settings, Security Audit Log, TLS 1.2
	Network Storage	Support MicroSD/MicroSDHC/MicroSDXC cards (up to 512 GB) with automatic network replenishment and local storage, NAS (NFS, SMB/CIFS), Together with high-end Hikvision memory card, memory card encryption and health detection are supported
	Browser	Plug-in required live view: IE10, IE11. Local service: Chrome 57.0+, Firefox 52.0+. Plug-in free live view: Chrome 57.0+, Firefox 52.0+, Safari 12+
	Client	iVMS-4200, HikConnect, HikCentral Professional
Illuminator	Supplement Light Type	Hybrid (IR and White Light)
	Supplement Light Range	White Light: Up to 20 m, IR: Up to 50 m
	Smart Supplement Light	Yes
	IR Wavelength	850 nm
Image	Image Parameters Switch	Support
	Image Settings	Saturation, brightness, contrast, sharpness, white balance, adjustable by client software or web browser
	Image Enhancement	BLC, HLC, 3D DNR, Defog, EIS
	White Balance	Auto, Manual
	Day/Night Switch	Day, Night, Auto, Schedule, Alarm Trigger
Audio	Audio Sampling Rate	8 kHz/16 kHz/32 kHz/44.1 kHz/48 kHz
	SNR	85 dB

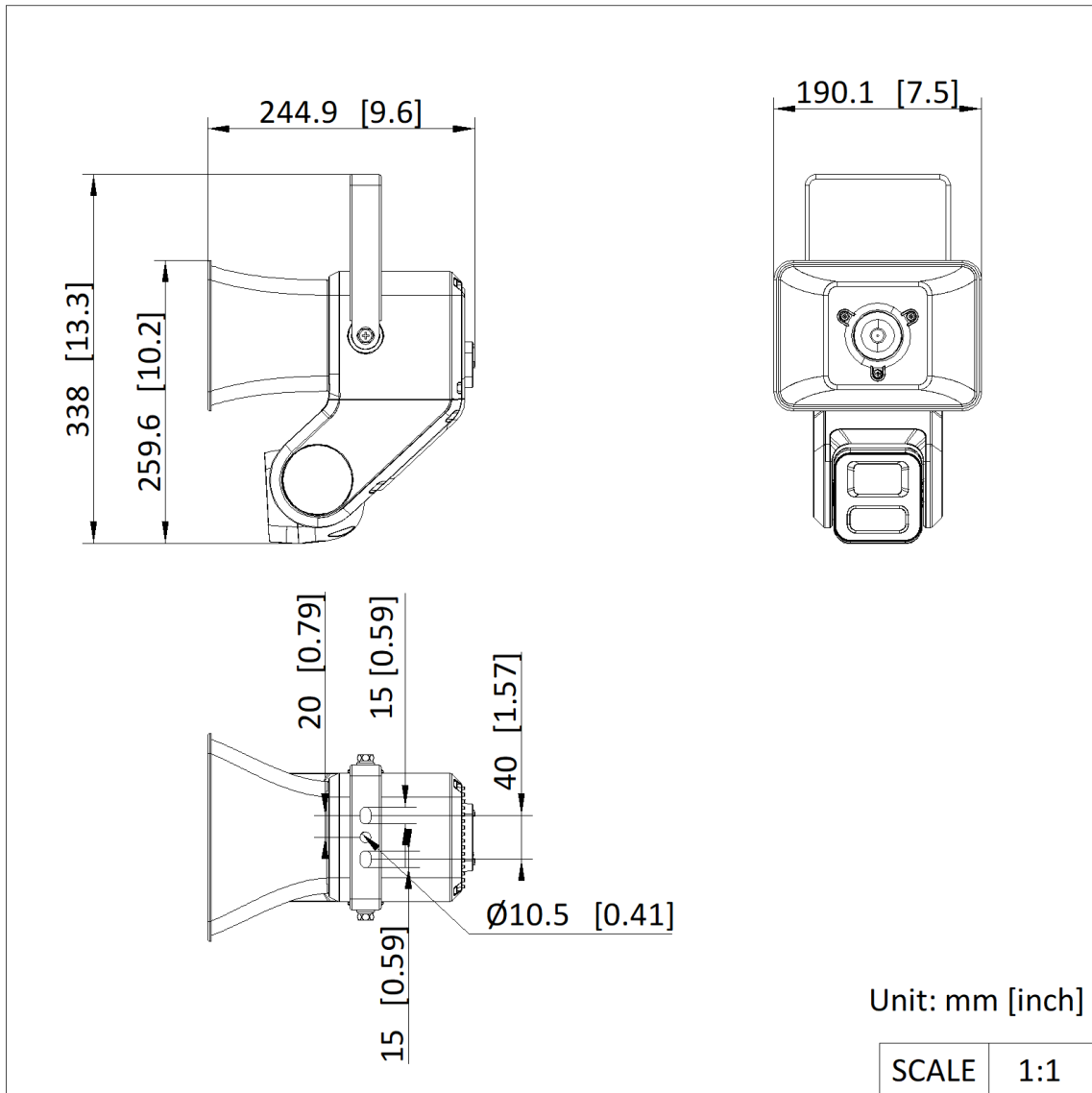
	(A-Weighted)	
	Audio Bit Rate	64 Kbps (G.711ulaw/G.711alaw)/16 Kbps (G.722.1)/16 Kbps (G.726)/32~192 Kbps (MP2L2)/16~64 Kbps (AAC-LC)/8~320 Kbps (MP3)
	Audio Compression	G.711a/G.711u/G.722.1/G.726/MP2L2/PCM/AAC-LC/MP3
	Audio Type	Mono sound
	Environment Noise Filtering	Support
Interface	Alarm	1 input, 1 output
	Network Interface	1 RJ45 10 M/100 M/1000 M self-adaptive Ethernet port
	Local Storage	8 GB EMMC
	Reset	1
	RS-485	1
	MicroSD	Built-in MicroSD/MicroSDHC/MicroSDXC slot, up to 512 GB
	Power Interface	1 power input, phoenix terminal
Event	Basic Event	Motion detection, video tampering alarm, alarm input, exception, video quality diagnosis, defocus detection, audio exception detection, scene change detection
	Linkage	Upload to FTP/NAS/SD card, notify surveillance center, send email, trigger alarm output, trigger recording, audible warning, white light flashing
	Smart Event	Line crossing detection, intrusion detection, region entrance detection, region exiting detection
General	Power	PoE: 42.5 V to 57 V, 0.447 A to 0.6 A, max. 25.5W, 12 VDC, 2.125 A, max. 25.5 W
	Material	Metal
	Dimension	338 mm × 244.9 mm × 190.1 mm (13.31" × 9.64" × 7.48")
	Package Dimension	420 mm × 280 mm × 316 mm (16.54" × 11.02" × 12.44")
	Weight	3.8 kg (8.38 lb.)
	With Package Weight	5.07 kg (11.18 lb.)
	Language	English, Bulgarian, Czech, Danish, German, Greek, Spanish (European), Estonian, Persian, Finnish, French (European), Hebrew, Croatian, Hungarian, Indonesian, Italian, Japanese, Kazakh, Korean, Lithuanian, Latvian, Dutch, Norwegian, Polish, Portuguese (European), Portuguese (Brazilian), Romanian, Russian, Slovak, Slovenian, Serbian, Swedish, Thai, Turkish, Ukrainian, Uzbek, Vietnamese, Traditional Chinese (Taiwan)
	Color	Gray
	Operating Temperature	-30 °C to 60 °C (-22 °F to 140 °F)
	Operating Humidity	Humidity 95% or less (non-condensing)
	Bracket Adjustment Angle	-53° to 165°
Approval	Protection	IP67

	EMC	Class B
	Safety	CB: IEC 62368-1:2014+A11, CE-LVD: EN 62368-1:2014/A11: 2017,
	Environment	CE-RoHS: 2011/65/EU, WEEE: 2012/19/EU, Reach: Regulation (EC) No 1907/2006
Video	H.264 Type	BaseLine Profile/Main Profile/High Profile
	H.265 Type	Main Profile
	Main Stream	50 Hz: 25 fps (2560 × 1440, 1920 × 1080, 1280 × 720) 60 Hz: 30 fps (2560 × 1440, 1920 × 1080, 1280 × 720)
	Sub-Stream	50 Hz: 25 fps (704 × 576, 640 × 480) 60 Hz: 30 fps (704 × 480, 640 × 480)
	Fourth Stream	50 Hz: 25 fps (704 × 576, 640 × 480) 60 Hz: 30 fps (704 × 480, 640 × 480)
	Fifth Stream	50 Hz: 25 fps (704 × 576, 640 × 480) 60 Hz: 30 fps (704 × 480, 640 × 480)
	Third Stream	50 Hz: 25 fps (1920 × 1080, 1280 × 720, 704 × 576, 640 × 480) 60 Hz: 30 fps (1920 × 1080, 1280 × 720, 704 × 480, 640 × 480)
	Simultaneous Live View	Up to 20 Channels
	Picture Overlay	LOGO picture can be overlaid on video with 128 × 128 24 bit bmp format.
	Bit Rate Control	CBR, VBR
	Region of Interest (ROI)	4 fixed regions for main stream, sub-stream, third stream, fourth stream, and fifth stream
	Scalable Video Coding (SVC)	Support
	Target Cropping	Support

▪ Available Model

DS-QACAM07G1-4LIZSU

▪ Dimension



- Accessory
- Optional

DS-1214ZJ-P Horizontal pole mount	DS-2FP4121-OW Outdoor Security Microphone
	

See Far, Go Further



www.hikvision.com
support@hikvision.com

