

**DS-KAB673-A**  
**Alcohol Detection Module**

DS-KAB673-A alcohol detection module, used with DS-K1T673 Series Face Recognition Terminal for alcohol detection

- Supports alcohol detection
- Plug-and-play USB with no-driver technology, USB 2.0

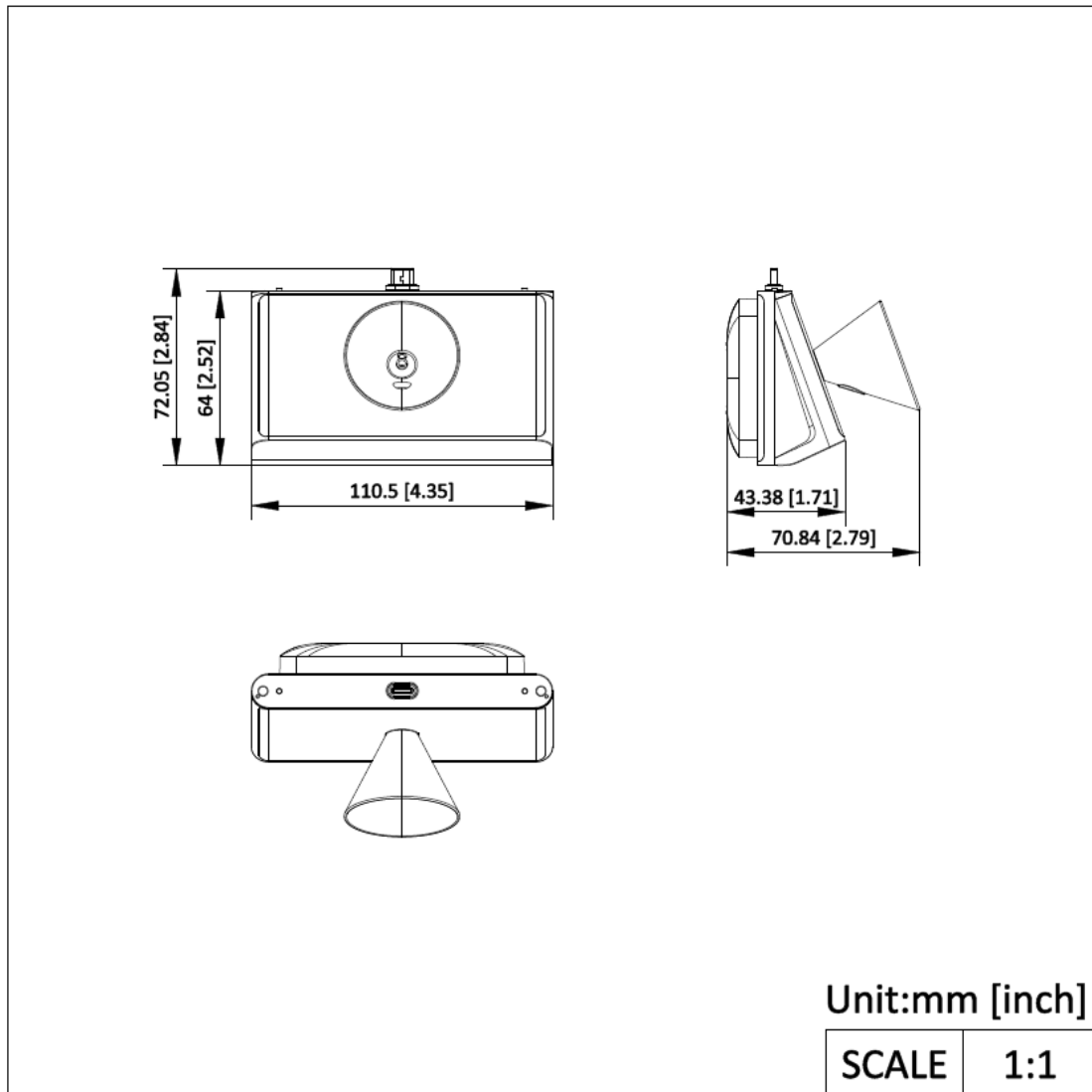
## ▪ Specification

General	
Power supply	5 VDC, 1 A
Power consumption	2.5 W
Working temperature	-10 °C to 50 °C (14 °F to 122 °F)
Dimensions	110.5 mm × 72 mm × 43.4 mm (4.35" × 2.84" × 1.71")
Weight	Net weight: 135 g (0.3 lb) Rough weight: 223 g (0.49 lb)
Application environment	Indoor
Technical specification	
Sensor	Electrochemical alcohol sensor
Measurement mode	Non-contact measurement
Data interface	USB (Type-C)
Blowing time	0.5 to 1.5 s
Detectable range	0.000 mg/L to 2.000 mg/L
Accuracy	Environment temperature : 25±3°C, Humidity: 10~40%, 2 cm away from the air outlet , blow in the middle 0 to 0.15 mg/L, ≤ ±0.03 mg/L 0.15 to 0.4 mg/L, ≤ ±0.06 mg/L
Response time	≤ 4s
Detection precision	0.001 mg/L

## ▪ Available Model

DS-KAB673-A

▪ Dimension



▪ Accessory



DS-K1T673DGX



DS-K1T673TDGX



DS-K1T673TDWX



DS-K1T673DWX-PRO



DS-K1T673DX



DS-K1T673TDX-T



DS-K7MX-A0



DS-K1T673TDX



DS-K1T673DWX



DS-K1T673TDWX-PRO

# See Far, Go Further



[www.hikvision.com](http://www.hikvision.com)  
[support@hikvision.com](mailto:support@hikvision.com)

