

DS-K3H4210LX-120/Pg-Dm60/WB/FIH
Full Height Turnstile

- The product supports remote control functionality to open the door remotely.
- The device housing is made of stainless steel 304 with a protective coating, offering enhanced corrosion resistance for outdoor use, suitable for a wide range of environments, and helping to reduce maintenance costs.
- Modular design for improved transportation and easy assembly.

- Specification

System	
MCBF	≥ 3 million times
Rotation Angle	120°
Network	
Wi-Fi	N/A
Interface	
Network interface	N/A
Exit button	2
Alarm output	2
TAMPER	NA
RS-485	N/A
Wiegand	N/A
Fire alarm input	1
Function	
Configuration via PC Web	N/A
Configuration via mobile Web	N/A
AP mode	N/A
Keypad configuration	N/A
Communication protocol	N/A
Keyfob	Support, 433 MHz/868 MHz, within 50 m
General	
Throughput	More than 30 persons per minute The actual throughput is affected by the person passing rate and passing method.
Lane width	600 mm
Barrier material	1.0 mm stainless pipe
Pedestal material	SUS304 stainless steel 1.2mm (mostly)
Power consumption	Standby: 45 W Working: 50 W Peak: 55 W
Working temperature	-15 °C to 65 °C (5 °F to 149 °F)
Working humidity	10% to 90% (No condensing)
Protective level	IPX4
Anti-corrosion	Corrosion-resistant spray painting
Dimensions	Without package: 2250 mm × 1240 mm × 1245 mm (88.58" × 48.82" × 49.02") With package: 2200 mm × 1050 mm × 800 mm (86.61" × 41.34" × 31.50")
Weight	Net: 122.68 kg (270.46 lb) Gross: 267.00 kg (588.63 lb)

Approval	CE/CB/RoHS/REACH/WEEE
Power supply method	Power supply: 100 to 240 VAC~, 50/60 Hz, 0.5 to 1 A
Power supply for face recognition module	Support

• Note

The main element of the turnstile is stainless steel, which is rust less (antioxidant) and corrosion resistant (The anti-corrosion ability in the medium of acid, alkali, and salt). In order to keep the stainless steel from being oxidized or corroded, you should clean and care the turnstile surface periodically.

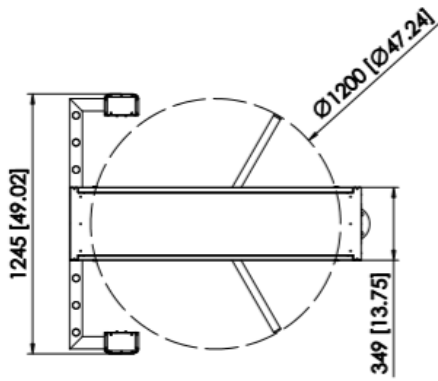
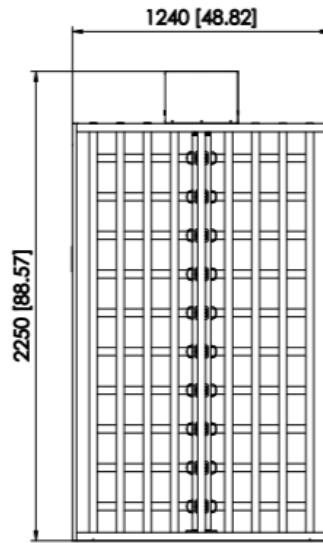
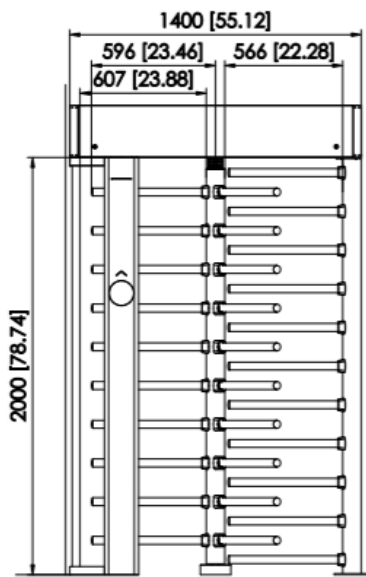
The instructions and tips for maintaining the turnstile are as follows:

1. Select different stainless steel types according to the variety of the environments. You can select 304 stainless steel for common circumstances and 316 stainless steel for the scenarios of seaside and chemical plants.
2. Keep the device surface clean and dry.
3. Use non-woven cloth and ethyl alcohol to clean the dirt on the device surface.
4. Use sourcing pad (do not use mesh cleaning ball) to clean the rust on the device surface by following the wire drawing on the stainless steel. And then use non-woven cloth and stainless steel cleaner to wipe the device surface.
5. Clean and maintain the device by using non-woven cloth and stainless steel cleaner periodically. It is suggested to clean the device every month in common circumstances and every week for severe environments (seaside and chemical plants for instance).

• Available Model

DS-K3H4210LX-120/Pg-Dm60/WB/FIH

• Dimension



Unit:mm [inch]

SCALE

1:1