

DS-TL2000AI-L1 Supplement Light



DS-TL2000AI-L1 is a supplement light with imported infrared LED stroboscopic light source and patented design of the lamp cooling structure. The products can be widely used in electronic police, security surveillance, speed detection, toll stations, entrance & exit control and road monitoring system. Key features including:

- Adopt aluminum alloy light body, fin-type radiator, and high light transmission with tempering glass.
- Imported infrared LED chips with long lifespan, good stability and high luminous efficiency.
- Professional optical design, light uniformity and distinct target spot.
- Adopt advanced constant current drive technology, which make the current control accurate and stable, enhance the product reliability and reduce the light attenuation effectively.
- Support camera false triggering protection, automatic protection initiation at the abnormal triggering signal and automatic recovery.
- Infrared light design with built-in automatic light control, open at the low illumination.
- The novelty design of the light, such as small size, light weight and high adaptability, make it quite easy for installation and adjustment.
- The IP65 design make it waterproof and dustproof unfailingly
- Green environmental protection without harmful metal such as mercury and lead.



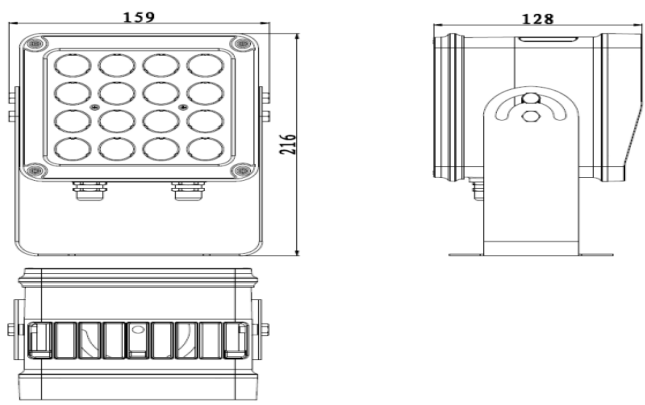
DS-TL2000AI-L1 Supplement Light

Specification

Supplement Light	
Light Type	Imported high-power infrared LED
LED Lamp Beads	16
Angle of Light	10°
Coverage	Single lane
Effective Distance	16 to 25 m
Trigger Manner	TTL level (switch trigger optional)
Trigger Level	4 to 6 V (High level trigger)
Trigger Duty Ratio	1% to 39% (Enter the protection state at Duty Ratio \geq 40%)
Response time	\leq 20 us
Day and Night Function	Support ambient brightness detection, and automatic start-up at low illumination (optional)
RS-485	1-ch, supporting PC or camera connection (optional)
Synchronous Interface	1-ch flicker trigger input, 1-ch capture trigger input, and 1-ch synchronous flicker output (optional)
Parameter Configuration	Supports internal parameter settings, such as turn-on threshold of day and night function, flash, and ultra-high frequency flash delay setting.
Service Life	\geq 50000 H
Housing Material	Die-cast aluminum
Power Supply	220 VAC \pm 20%, 47 to 63 Hz; 110 VAC \pm 20%, 47 to 63 Hz
Consumption	Max. 36 W (Determined by control model)
Operating Temperature	-40 °C to 70 °C (-40 °F to 158 °F)

Dimensions

Unit: mm



Operating Humidity	10% to 90%, no condensation
Weather Proof Rating	IP65
Dimension (W × H × D)	128 × 216 × 159 mm (5.0 × 8.5 × 6.3 inch)
Mounting Model	Support front-mounted and side-mounted installation (bracket rotation angle: -90° to 90°)
Weight	2.72 kg (6.00 lb)

Available Model:

DS-TL2000AI-L1