

## DS-MCW406/64G/GPS/NS Linux Economical Body Camera



- 2688 × 1520 2K HD recording
- IR function to recognize the facial features in the captured picture even in dim environment
- Small size, light weight, and convenient to carry.

## ▪ Specification

Camera	
Image Sensor	1/3" progressive scan CMOS
Max. Resolution	2688 × 1520
Min. Illumination	Color: 0.07 Lux @ (F2.0, AGC ON), 0 Lux with supplement light
Day & Night	Switch IR Cut Filter Automatically
Zoom	4× Digital
Lens	
Focal Length	2.4 mm fixed lens
FOV	Horizontal FOV: 129° Vertical FOV: 70° Diagonal FOV: 140°
Aperture	F2.0
Video	
Video Format	PS, MP4
Sub Stream	30 fps (1280 × 720, 720 × 576)
Pre-record & Post- record	Pre-record: 10 s; Post-record: 60 s
Video Compression	H.264, H.265
Main Stream	60 Hz: 30 fps (2688 × 1520, 1920 × 1080, 1280 × 720, 720 × 576)
Audio	
Audio Compression for Video Recording	G722_1, AAC
Audio Compression for Audio Recording	PCM
Audio Compression for Group Intercom	G711_A, G711_MU, G722_1
Audio Bit Rate	G711_A (64 kbps), G711_MU (64 kbps), G722_1 (16 kbps), AAC (64 kbps), PCM (128 kbps)
Image	
Image Format	JPEG
Screen	
Screen Size	Not supported
Display Resolution	
Touchscreen	Not supported
Storage	
RAM	128 MB
ROM	Default 32 GB, 64 GB/128 GB/256 GB optional
IR	
IR Range	Up to 10 m
IR Wavelength	850 nm
Wireless Network	
Wi-Fi Frequency Band	Not supported
Wi-Fi Protocol	-
Positioning Mode	Not supported
Network	
Protocol	-
API	-

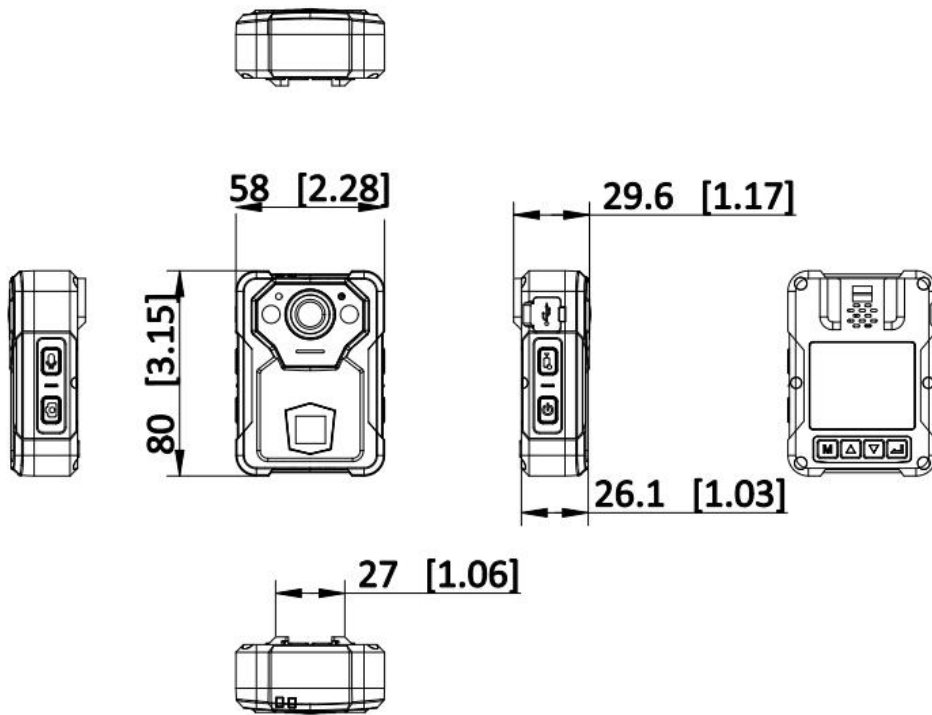
Interface	
Audio Type	1 built-in mic(s), 1 speaker(s)
USB	USB 2.0
Indicator	2 Indicator(s) for Charging/Working/Recording/Exception
Charging Interface	Type-C
Button	Power, Recording, Audio recording, Picture capture, Menu, Up, Down, Enter
General	
Operating Condition	-20 °C to 55 °C (-4 °F to 131 °F). Humidity 95% or less (non-condensing)
Power	5 VDC, 2.0 A, max. 10 W
Dimension	85 mm × 59 mm × 30 mm (3.4" × 2.3" × 1.2")
Weight	125 g (without mounting) (0.27 lb.)
Operating System	Linux
Client	Hik-Connect, HikCentral Pro, HikCentral Master Lite
MIC	Supported
Speaker	1 Built-in speaker, Max. power consumption: 1 W, Max. sound pressure level: 87 dB (10 cm)
Battery	
Battery Type	Lithium-ion battery, integral
Capacity	2500 mAh
Charging Time	≤ 3 h
Battery Duration	Up to 12 h in 720 p resolution <sup>1</sup>
Approval	
RF	EN 300 328 V2.1.1 (BT or 2.4 G); EN 62311:2008 (BT or 2.4 G);
EMC	CE-EMC: EN 55032: 2015, EN 61000-3-2: 2019, EN 61000-3-3: 2013, EN 50130-4: 2011 +A1: 2014
Safety	CB: IEC 62368-1: 2014+A11, IEC 62368-1: 2018 CE-LVD: EN 62368-1: 2014/A11: 2017, EN IEC 62368-1:2020+A11:2020 CE-LVD: EN 62368-1: 2014/A11: 2017
Environment	CE-RoHS: 2011/65/EU, WEEE: 2012/19/EU, Reach: Regulation (EC) No 1907/2006
Protection	IP67: IEC 60529-2013, MIL STD 810 G

1: This is a basic estimation of battery working life only when recording is on. Additional power consumption should be considered when IR, GPS, and/or network connection is on.

#### ▪ Available Model

DS-MCW406/32G/GPS/NS

#### ▪ Dimension

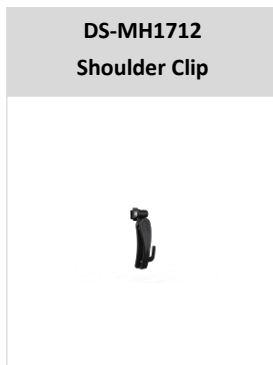


Unit: mm [inch]

SCALE	1:1
-------	-----

## Accessory

### ▪ Included



### ▪ Optional

DS-MH1710-N1-MG Metal Clip	DS-MH1710-N1-S Body Camera Metal Clip	DS-MH1711-HM Body Camera Chest Harness	DS-MH1721 Oblique Shoulder Harness	DS-MH1310-M1 Body Camera Battery
				
DS-MH1712 Clip of Body Camera	DS-MH1717 Body Camera - Magnetic Clip	DS-MH1716 Body Camera - Alligator Clip	DS-MH1715 Body Camera - Wearable Clip	
				

#### Headquarters

No.555 Qianmo Road, Binjiang District,  
Hangzhou 310051, China  
T +86-571-8807-5998  
www.hikvision.com



Follow us on social media to get the latest product and solution information.



Hikvision



HikvisionHQ



HikvisionHQ



Hikvision\_Global



Hikvision  
Corporate Channel



hikvisionhq