

**DS-K4H255-LZ**  
**Accessory of Magnetic Lock**



- Bracket for DS-K4H255S
- L bracket is used for fixed lock body
- Z bracket is used for suction plate fixed, is equipped with antiskid and structure adjustment

## ▪ Specification

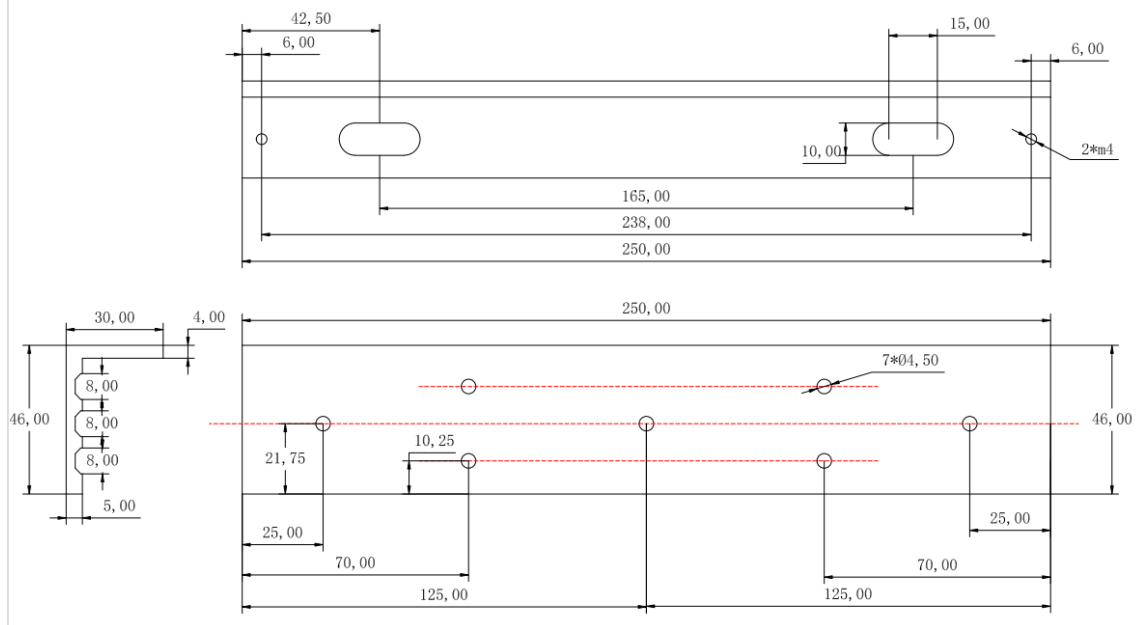
General	
Dimensions	L-bracket Dimension (L×W×H): 250×46×30mm (9.8×1.8×1.2"); Z-bracket Dimension (L×W×H): 180×47×47mm (7.1×1.9×1.9")
Weight	0.5kg
Material	High strength aluminum alloy surface sandblasting oxidation
Bracket of Magnetic Lock	
Suitable Door	Wooden Door, Glass Door, Metal Door

## ▪ Available Model

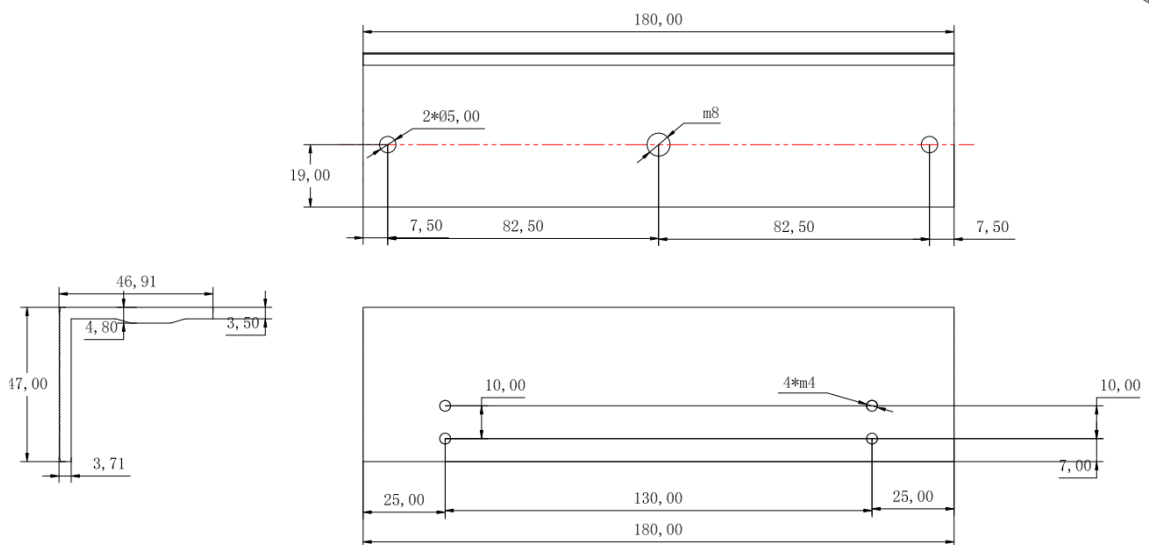
DS-K4H255-LZ

Dimension

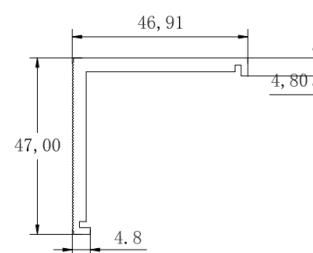
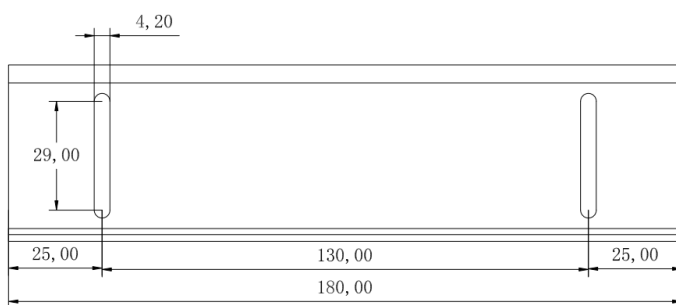
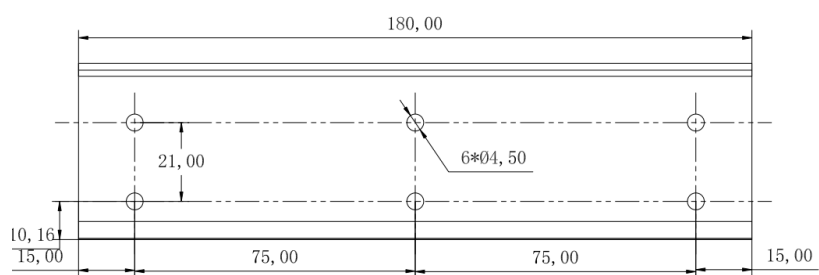
L size



Z1 size



Z2 size



▪ **Accessory**

▪ **Included**



**Headquarters**

No.555 Qianmo Road, Binjiang District,  
Hangzhou 310051, China  
T +86-571-8807-5998  
www.hikvision.com



Follow us on social media to get the latest product and solution information.

