

DS-K1T320MFWX Face Recognition Terminal



- 2.4-inch LCD screen, 2 MP lens
- Multiple authentication methods, including face, fingerprint, card, and PIN, etc.
- Supports Mifare card
- Max. 500 faces, 1,000 cards, 1,000 fingerprints and 100,000 events
- Face recognition duration < 0.2 s/User
- Supports ISAPI and ISUP 5.0 protocols
- Configuration via the web client

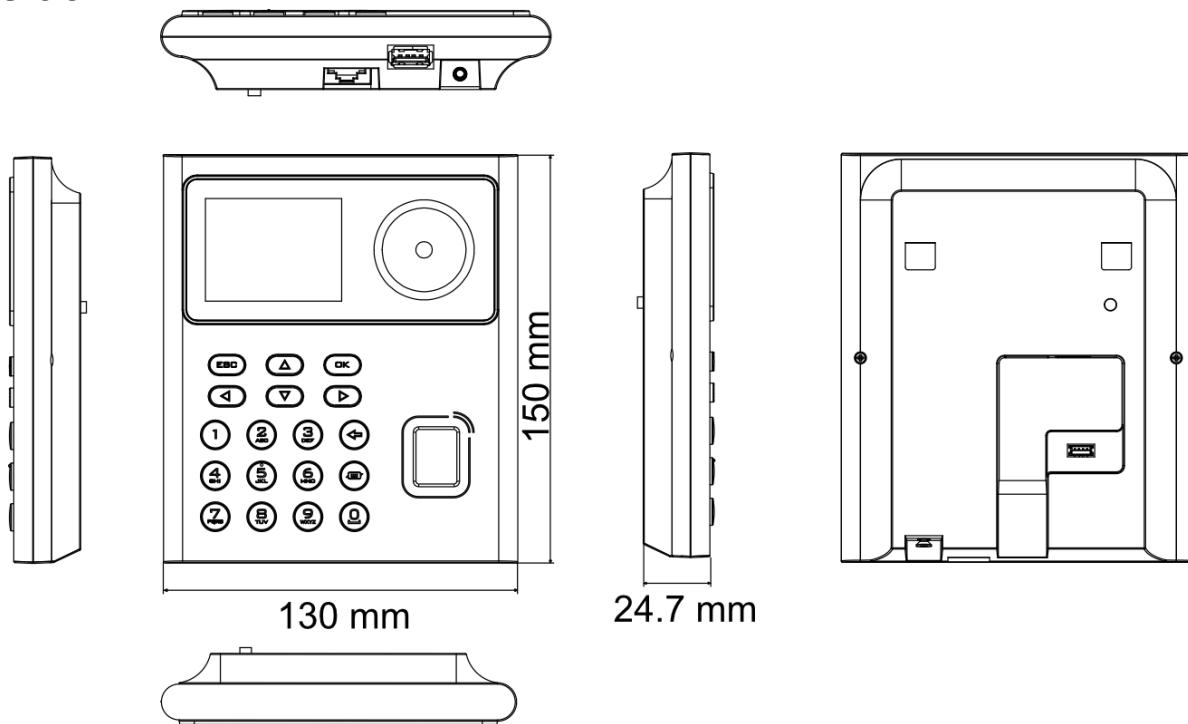
▪ Specification

System	
Operating system	Linux
Display	
Screen size	2.4 inch
Type	Display screen
Resolution	320 × 240
Video	
Lens	1
Video compression standard	PAL (Default) and NTSC
Resolution	2 MP (1 MP for web streaming)
Audio	
Audio output	Built-in buzzer
Network	
Wired network	10 M/100 M self-adaptive
Wi-Fi	Support
Interface	
Network interface	1
Lock control	1
Exit button	1
Door contact input	1
TAMPER	1
USB	1
Capacity	
Face capacity	500
Fingerprint capacity	1,000
Card capacity	1,000
Event capacity	100,000
Authentication	
Face recognition distance	0.3 m ~ 1.5 m
Face recognition duration	< 0.2 s
Card type	Mifare 1 card
Card reading distance	0 ~ 5 cm
Function	
Face anti-spoofing	Support
General	
Built-in access controller	Yes
Supplement light	White light
Power supply	DC 12 V
Power consumption	≤ 6 W
Working temperature	-10 °C ~ 55 °C (14 °F ~ 131 °F)
Working humidity	0% ~ 90%
Language	English, Spanish (South America), Arabic, Thai, Indonesian, Russian, Vietnamese, Portuguese (Brazil), Korean, Japanese

▪ Available Model

DS-K1T320MFWX

▪ Dimension



Headquarters

No.555 Qianmo Road, Binjiang District,
Hangzhou 310051, China
T +86-571-8807-5998
www.hikvision.com



Follow us on social media to get the latest product and solution information.

