

DS-D2055UL-0B**55 inch 3.5mm LCD Display Unit**

DS-D2055UL-0B LCD display uses an industry-level extreme-narrow bezel design, which enables a bezel width of 3.5 mm between neighboring displays. The adopted direct-lit LED backlighting technology helps achieve ultra-high and uniform brightness of 500 cd/m². The display has abundant interfaces for video inputs, such as DVI, VGA, HDMI, and DP.

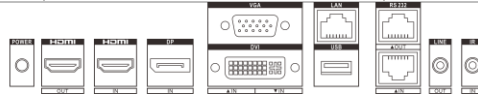
- 4K signal input, auto loop up to 30 screens with HDMI interfaces
- Switching between three picture modes: Monitoring, Meeting, and Movie
- Factory calibration for color and brightness uniformity
- Direct-lit LED backlight with uniform brightness
- 1920 × 1080 resolution, 178° viewing angle
- Extreme-narrow 3.5 mm bezel design
- Anti-glare, high definition, high brightness, high color gamut, and vivid images with rich colors
- Stable and 24-hour continuous working
- Metal casing for preventing from radiation and magnetic & electric field interference
- Wall-mount and modular brackets available to meet various installation requirements

▪ Specification

Display	
Screen Size	55 inch
Active Display Area	1209.6 (H) mm × 680.4 (V) mm
Backlight	Direct-lit LED backlight
Pixel Pitch	0.63 mm
Physical Seam	3.5 mm
Physical Seam Tolerance	± 0.8 mm
Physical Resolution	1920 × 1080@60 Hz (backward compatible)
Brightness	500 cd/m ²
Color Temperature	10,000 ± 2,000K
Viewing Angle	178°(H)/178°(V)
Color Depth	8 bit, 16.7 M
Contrast Ratio	1200:1
Response Time	8.5 ms
Color Gamut	72% NTSC
Surface Treatment	Haze 25%
Interface	
Video & Audio Input	VGA × 1, HDMI × 1, DVI × 1, DP × 1, USB × 1
Video & Audio Output	HDMI × 1, LINE OUT × 1
Control Interface	RS232 IN × 1, RS232 OUT × 1, IR IN × 1
Key Material	
LCD Technology	VA
Power	
Power Supply	100 to 240 VAC, 50/60 Hz
Power Consumption	≤ 200 W
Standby Consumption	≤ 0.5 W
Working Environment	
Working Temperature	0°C~40°C
Working Humidity	20% RH to 80% RH (without condensation)
Storage Temperature	-20°C~60°C
Storage Humidity	10% RH to 90% RH (without condensation)
General	
Casing Material	Metal
VESA	600 (H) mm × 400 (V) mm
Product Dimension (W × H × D)	1213.93 (W) mm × 684.78 (H) mm × 51.43 (D) mm (47.79" × 26.96" × 2.02")
Package Dimensions (W × H × D)	1404(W) mm × 910 (H) mm × 231 (D) mm
Net Weight	13.7 ± 0.5 kg (30.2 ± 1.1 lb) for single display
Gross Weight	20.2 ± 0.5 kg (44.5 ± 1.1 lb) for carton with a single display
Packing List	Carton with a single display : LCD display × 1, power cable × 1, network cable × 1, 2-meter HDMI cable × 1, screw × 4, remote control × 1, IR receiver × 1, RS-232 converter × 1, quick start guide (multilingual) × 1, quick start guide (English) × 1, LCD Maintenance Notice × 1

▪ Physical Interface

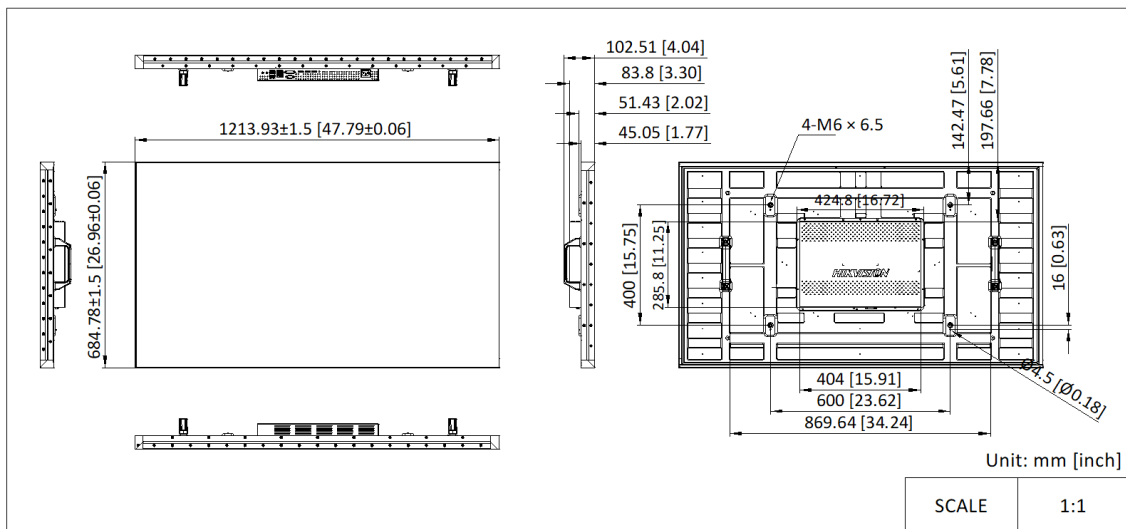
Interface	Description	Interface	Description
POWER	Power indicator	DVI IN	DVI-I input interface for digital signals
LINE OUT	Audio output interface for analog signals	RS 232 OUT	Serial loopback output interface
HDMI OUT	HDMI output interface for digital signals	RS 232 IN	Serial input interface
HDMI IN	HDMI input interface for digital signals	USB	USB interface
DP IN	DP input interface for digital signals	LAN	Reserved interface
VGA IN	VGA input interface for analog signals	IR IN	IR input interface
AC ~ IN	Power input		



▪ Available Model



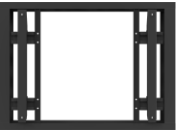

DS-D2055UL-0B(1 IN 1 Package)

▪ Dimension



▪ Accessory

▪ Optional

DP-D2X4655-1X1-Q 1-NW-Q0.8-ZF	DP-D2X55XXX-1X1- Q1-SW-Q0.8-TY	DP-D2X55U50-1X1- Q1-MF-Q0.8-ZY	DP-D2X55U70-0X0- Q0-MB-Q1-ZY/H80 0
			

See Far, Go Further



www.hikvision.com
support@hikvision.com

