

DS-7732NXI-K4/16P(E)



- Automatic speed control fans are designed for running quietly and energy saving
- Adopt Hikvision AcuSense technology to minimize manual effort and security costs
- Efficient playback with AcuSearch technology
- Accurate perimeter protection effectively reduces false alarms
- Automatic cameras connection and configuration
- Up to 32-ch IP camera inputs, plug & play with 16 Power-over-Ethernet (PoE) interfaces
- H.265+/H.265/H.264+/H.264 video formats
- Up to 3-ch@12 MP or 5-ch@8 MP or 10-ch@4 MP or 20-ch@1080p decoding capacity
- Up to 256 Mbps incoming bandwidth

▪ Specification

Model		DS-7732NXI-K4/16P(E)(标配)(样机)	DS-7732NXI-K4/16P(E)(标配)/IO16+9(样机)	DS-7732NXI-K4/16P(E)(中性)(样机)	DS-7732NXI-K4/16P(E)(中性)/IO16+9(样机)
Intelligent Analytics	AI by NVR	Facial recognition, perimeter protection, motion detection 2.0, AcuSearch			
	AI by Camera	Facial recognition, perimeter protection, motion detection 2.0, ANPR			
Facial Recognition	Facial Detection and Analytics	Face picture comparison, human face capture, face picture search			
	Facial Detection and Analytics Performance	Up to 4 MP: 2-ch; 8 MP to 5 MP: 1-ch			
	Face Picture Library	Up to 16 face picture libraries, with up to 50,000 face pictures in total (each picture ≤ 1 MB, total capacity ≤ 1 GB)			
	Face Picture Comparison	8-ch			
AcuSearch	By Camera	All channels *: The camera should enable AcuSearch function			
	By NVR	Up to 32-ch			
Motion Detection 2.0	By NVR	All channels, up to 4 MP (when enhanced SVC mode is enabled, up to 8 MP) video analysis for human and vehicle recognition to reduce false alarm			
	By Camera	All channels			
Perimeter Protection	By NVR	Video analysis (HD network camera, H.264/H.265) for human and vehicle recognition to reduce false alarm. Up to 4 MP: 2-ch; 8 MP to 5 MP: 1-ch			
	By Camera	All channels			
Video and Audio	IP Video Input	32-ch			
	IP Speaker Input	4-ch			
	Incoming Bandwidth	256 Mbps			
	Outgoing Bandwidth	160 Mbps			
	HDMI Output	1-ch, 4K (3840 × 2160)/30Hz, 2K (2560 × 1440)/60Hz, 1920 × 1080/60Hz, 1600 × 1200/60Hz,			

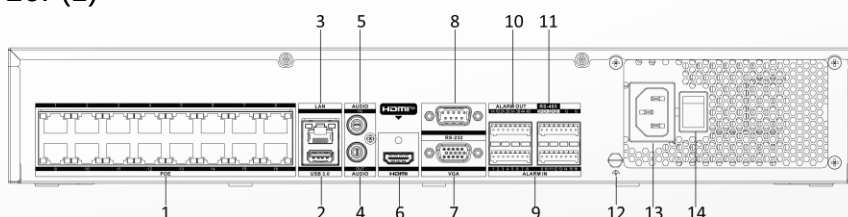
		1280 × 1024/60Hz, 1280 × 720/60Hz, 1024 × 768/60Hz
	VGA Output	1-ch, 1920 × 1080/60Hz, 1600 × 1200/60Hz, 1280 × 1024/60Hz, 1280 × 720/60Hz
	Video Output Mode	HDMI/VGA independent output
	Audio Output	1-ch, RCA (Linear, 1 KΩ)
	Two-Way Audio	1-ch, RCA (2.0 Vp-p, 1 KΩ, using the audio input)
Decoding	Decoding Format	H.265, H.265+, H.264, H264+
	Recording Resolution	12 MP/8 MP/6 MP/5 MP/4 MP/3 MP/1080P/UXGA/720P/VGA/4CIF/DCIF/2CIF/CIF/QCIF
	Synchronous Playback	16-ch
	Decoding Capability	AI on: 16-ch@1080p (30 fps) AI off: 20-ch@1080p (30 fps)
	Stream Type	Video, Video and Audio
	Audio Compression	G.711ulaw/G.711alaw/G.722/G.726/AAC/MP2L2
Network	Remote Connection	128
	API	ONVIF (profile S/G); SDK; ISAPI
	Compatible Browser	IE 11, Chrome 91, Firefox 88, Safari 12, Edge 91, or above version
	Network Protocol	TCP/IP, DHCP, IPv4, IPv6, DNS, DDNS, NTP, RTSP, SADP, SMTP, SNMP, NFS, iSCSI, ISUP, UPnP™, HTTP, HTTPS
	Network Interface	1, RJ-45 10/100/1000 Mbps self-adaptive Ethernet interfaces
PoE	Interface	16, RJ-45 10/100 Mbps self-adaptive Ethernet interface
	Power	≤ 200W
	Standard	IEEE 802.3af/at
Auxiliary Interface	SATA	4 SATA interfaces
	Capacity	Up to 16 TB capacity for each HDD
	Serial Interface	2 RS-485 (half-duplex), 1 RS-232

	eSATA	NA	1 eSATA interface	NA	1 eSATA interface
	Alarm In/Out	16/4	16/9	16/4	16/9
	USB Interface	Front panel: 2 × USB 2.0; Rear panel: 1 × USB 3.0			
	Ctrl 12V	NA	Support	NA	Support
	DC 12V	Support			
General	GUI Language	English, Russian, Bulgarian, Hungarian, Greek, German, Italian, Czech, Slovak, French, Polish, Dutch, Portuguese, Spanish, Romanian, Turkish, Japanese, Danish, Swedish, Norwegian, Finnish, Korean, Traditional Chinese, Thai, Estonian, Vietnamese, Croatian, Slovenian, Serbian, Latvian, Lithuanian, Uzbek, Kazakh, Arabic, Hebrew, Ukrainian, Indonesian			
	Fan	Supports automatic speed control			
	Power Supply	100 to 240 VAC, 50 to 60Hz			
	Consumption	≤ 50 W (without HDD)			
	Working Temperature	-10 °C to 55 °C (14 °F to 131 °F)			
	Working Humidity	10 to 90 %			
	Dimension (W × D × H)	440 × 391 × 72 mm (17.32 × 15.39 × 2.82 inch)			
	Weight	≤ 5 kg (without HDD, 11 lb.)			
	Certification	CE	EN 55032: 2015, EN 61000-3-2, EN 61000-3-3, EN 50130-4, EN 55035: 2017		
Obtained Certification		CE,CB,REACH,WEEE,UKCA,RCM,IC			

▪ Function

▪ Physical Interface

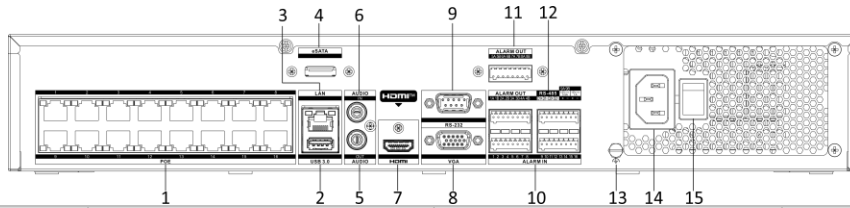
DS-7732NXI-K4/16P(E)



Number	Description	Number	Description
1	Poe interfaces	8	RS-232 interface

2	USB 3.0 interface	9	ALARM IN
3	LAN network interface	10	ALARM OUT
4	AUDIO OUT	11	RS-484 interface
5	AUDIO IN	12	GND
6	HDMI interface	13	Power supply
7	VGA interface	14	Power switch

DS-7732NXI-K4/16P(E)/IO16+9



No.	Description	No.	Description
1	PoE interface	9	RS-232 serial interface
2	USB 3.0 interface	10	ALARM IN
3	LAN network interface	11	ALARM OUT
4	eSATA interface	12	RS-485 interface
5	AUDIO OUT	13	GND
6	AUDIO IN	14	Power supply
7	HDMI interface	15	Power switch
8	VGA interface		

▪ Available Model

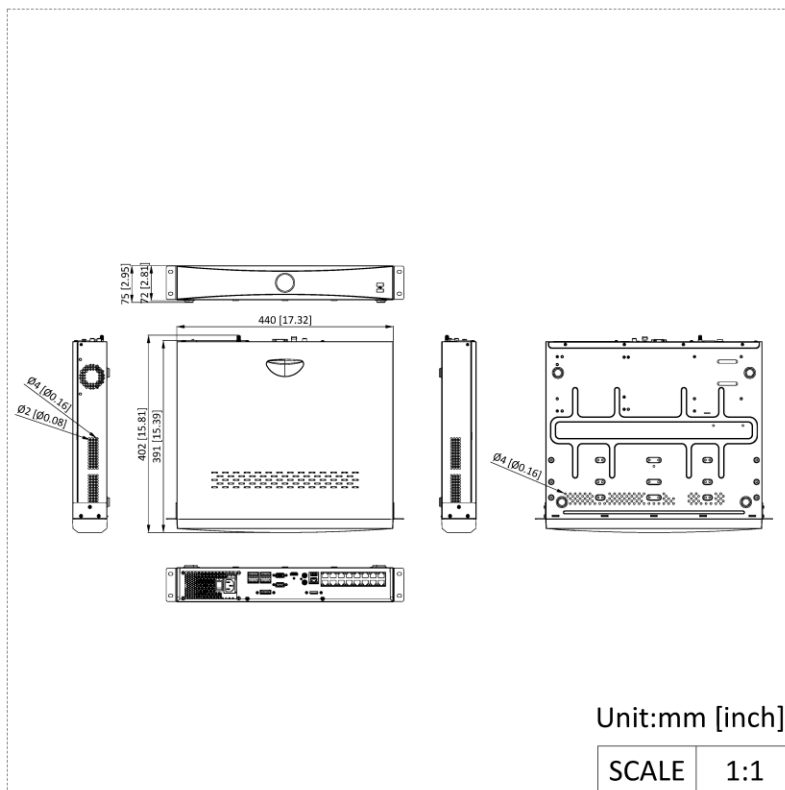
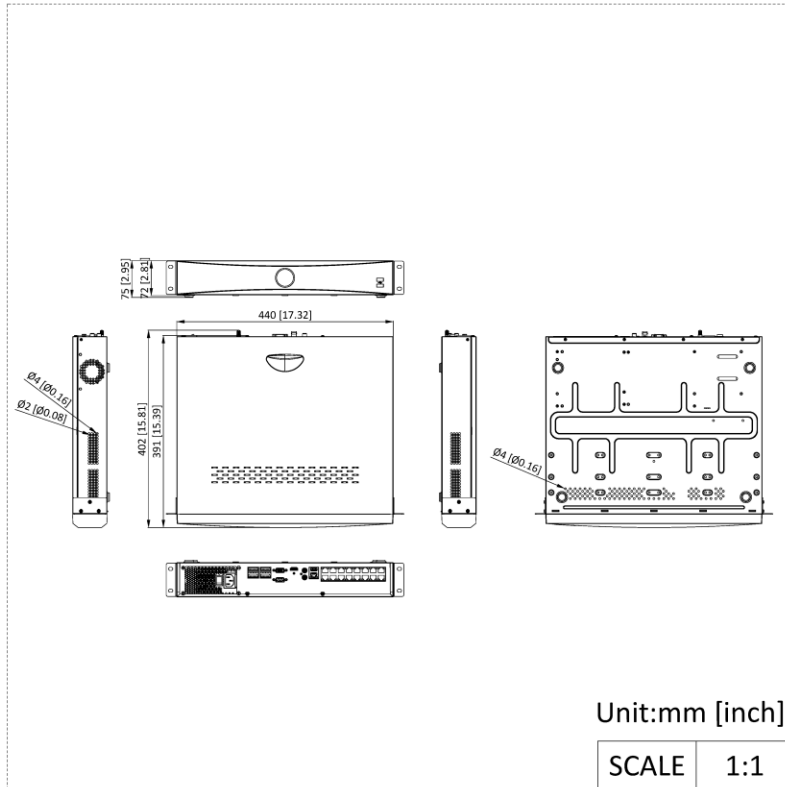
DS-7732NXI-K4/16P(E)(STD)

DS-7732NXI-K4/16P(E)(STD)/IO16+9

DS-7732NXI-K4/16P(E)(NEU)

DS-7732NXI-K4/16P(E)(NEU)/IO16+9

▪ Dimension



See Far, Go Further



www.hikvision.com
support@hikvision.com

