

DS-2SR8C440I5XG-LFW/SP/R15/18
Radar PTZ Camera

Hikvision Radar PTZ Camera combines security radar with network speed dome. The radar adopts phased array technology for intrusion detection, which is able to detect the distance, speed and location of targets. The device supports multi-target positioning, pattern tracking, and linked camera tracking in multiple directions. It can filter out false alarms in various event detections via intelligent algorithm analysis. The radar PTZ camera can effectively work day and night in all weather conditions, including rain and fog. This product is suitable for many types of video security sites, such as borderline, prison, power station, railway, museum, airport, and other locations that need perimeter protection. The key features are as follows:

- Adopt integrated triple cameras + radar design and support long-range, flexible and multi-dimensional adjustment.
All-weather radar video multi-dimensional perception and long-distance perimeter detection
- Environmental adaptability to work normally in various weather environments such as day, night, rain, fog, etc., and have flexible and rich configuration functions, which can realize one-click configuration of various scenarios
- Support radar and video for perimeter intrusion detection of multiple targets at the same time
- Support the detection of the target's distance, direction, speed information, and support target positioning, trajectory following
- Support smart event, panoramic camera to arm the configured area, when the target is detected, the linkage of the detail camera to follow the target and alarm
- Support radar and video to detect the target, capture the target's face, human body or vehicle pictures during the following process and output related information
- Support display panoramic pictures, detailed pictures, radar sector maps, event alarm maps, face, human body and vehicle snapshots and target structured information through IE
- Support automatic and manual calibration
- Suitable for perimeter security scenarios such as industrial plants, enterprise parks, and regional control
- Support 4 Zones and 4 Trigger Lines

▪ Specification

Radar Detection	
Working Frequency	24.05 GHz to 24.25 GHz to 24.25 GHz
Detection Distance	Human: 500 m, vehicle: 500 m
Horizontal Detection Angle	Double beam: Narrow beam: 15° (0 m to 500 m) Wide beam: 50° (0 m to 100 m)
Vertical Detection Angle	30°
Max. Detectable Targets	128
Distance Measurement Accuracy	1m
Speed Measurement Accuracy	0.06 m/s
Angle Measurement Accuracy	0.8°
Radar Event	Radar events including line crossing detection and intrusion detection. Detected target is tracked and captured by PTZ camera channel. Video double checks radar detected targets to improve detection accuracy.
Camera	
Image Sensor	[Panorama 1] 1/1.8" progressive scan CMOS [Panorama 2] 1/1.8" progressive scan CMOS [Detail] 1/1.8" progressive scan CMOS
Max. Resolution	[Panorama 1] 2560 × 1440 [Panorama 2] 2560 × 1440 [Detail] 2560 × 1440
Min. Illumination	[Panorama 1] Color: 0.0005 Lux @ (F1.6, AGC ON) [Panorama 2] Color: 0.0005 Lux @ (F1.4, AGC ON), B/W: 0.0001 Lux @ (F1.4, AGC ON), 0 Lux with IR [Detail] Color: 0.0005 Lux @ (F1.2, AGC ON), B/W: 0.0001 Lux @ (F1.2, AGC ON), 0 Lux with IR
Shutter Speed	1/25 s to 1/30,000 s
Day & Night	ICR
Zoom	[Panorama 1] No [Panorama 2] 5 × optical [Detail] 32 × optical, 16 × digital
Slow Shutter	yes
Lens	
Focal Length	[Panorama 1] 6 mm [Panorama 2] 10 mm to 50 mm [Detail] 6 mm to 192 mm
FOV	[Panorama 1] 58° [Panorama 2] 40° to 9° [Detail] 60.2° to 2.3°
Focus	Auto, semi-auto, manual
Aperture	[Panorama 1] F1.6 [Panorama 2] F1.4 [Detail] F1.2
Zoom Speed	[Panorama 1] No [Panorama 2] Approx. 1.8 s [Detail] Approx. 5.6 s
Illuminator	
Supplement Light Type	Laser
Supplement Light Range	[Panorama] 200 m [Detail] 200 m
Smart Supplement Light	Yes
PTZ	
Movement Range (Pan)	[Panorama] 0° to 270° [Detail] 0° to 360°
Movement Range (Tilt)	[Panorama] -11° to 11° [Detail] -20° to 90°
Pan Speed	[Panorama] Configurable from 0.1° to 10°/s [Detail] Configurable from 0.1° to 210°/s, preset speed: 250°/s
Tilt Speed	[Panorama] Configurable from 0.1° to 20°/s [Detail] Configurable from 0.1° to 150°/s, preset speed: 90°/s
Proportional Pan	[Panorama] No [Detail] Yes
Presets	300
Patrol Scan	8 patrols
Park Action	Preset, pattern scan, patrol scan, auto scan, tilt scan, random scan, frame scan, panorama scan

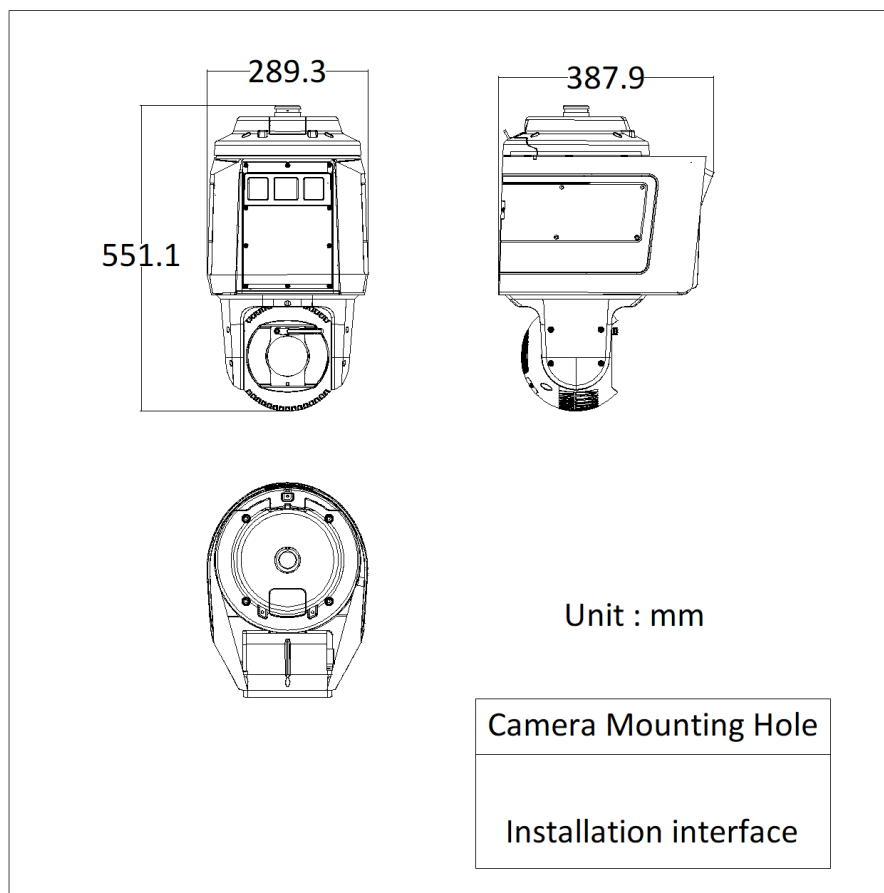
Pattern Scan	4 pattern scans, record time over 10 minutes for each scan
3D Positioning	yes
PTZ Status Display	yes
Scheduled Task	Preset, pattern scan, patrol scan, auto scan, tilt scan, random scan, frame scan, panorama scan, dome reboot, dome adjust, aux output
Power-off Memory	yes
Video	
Main Stream	50 Hz: 25 fps (2560 × 1440, 1920 × 1080, 1280 × 960, 1280 × 720) 60 Hz: 30 fps (2560 × 1440, 1920 × 1080, 1280 × 960, 1280 × 720)
Sub-Stream	50 Hz: 25 fps (704 × 576, 640 × 480, 352 × 288) 60 Hz: 30 fps (704 × 480, 640 × 480, 352 × 240)
Third Stream	50 Hz: 25 fps (1920 × 1080, 1280 × 960, 1280 × 720, 704 × 576, 640 × 480, 352 × 288) 60 Hz: 30 fps (1920 × 1080, 1280 × 960, 1280 × 720, 704 × 480, 640 × 480, 352 × 240)
Video Compression	H.265, H.264, MJPEG
Video Bit Rate	256 Kbps to 16384 Kbps
Scalable Video Coding (SVC)	yes
Region of Interest (ROI)	[Detail] Yes
Audio	
Audio Compression	G.711A, G.711U, G.722.1, G.726, MP2L2, PCM, AAC-LC, MP3
Audio Bit Rate	AAC-LC: 16 Kbps, 32 Kbps, 64 Kbps, MP2L2: 32 Kbps, 40 Kbps, 48 Kbps, 56 Kbps, 64 Kbps, 80 Kbps, 96 Kbps, 112 Kbps, 128 Kbps, 144 Kbps, 160 Kbps, 192 Kbps
Audio Sampling Rate	MP2L2: 16 KHz, 32 KHz, 48 KHz; AAC-LC: 16 KHz, 32 KHz, 48 KHz; PCM: 8 KHz, 16 KHz, 32 KHz, 48 KHz
Environment Noise Filtering	Yes
Network	
Protocols	IPv4/IPv6, HTTP, HTTPS, 802.1x, Qos, FTP, SMTP, UPnP, SNMP, DNS, DDNS, NTP, RTSP, RTCP, RTP, TCP/IP, UDP, IGMP, ICMP, DHCP, PPPoE, Bonjour
Simultaneous Live View	Up to 20 channels
API	API, ISAPI, SDK, ISUP, Hik-Connect
User/Host	Up to 32 users. 3 levels: Administrator, Operator and User
Security	Authenticated username and password, MAC address binding, HTTPS encryption, 802.1X authenticated access, IP address filter
Network Storage	NAS (NFS, SMB/CIFS)
Client	iVMS-4200, Hik-Connect, HikCentral Pro
Web Browser	IE10+, Chrome57+, Firefox52+, Safari12+
Supplement Detection	
Satellite Positioning	Yes
Gyroscope	Yes
Compass	Yes
Interface	
Ethernet Interface	RJ45 1000 M Ethernet Interface, self-adaptive
Audio	1 audio input, 2.0 to 2.4 Vp-p, input impedance: 1 kΩ ± 10%; 1 audio output, line level, impedance: 600 Ω
Alarm	7 alarm inputs, 2 alarm outputs
RS-485	Half duplex, HIKVISION, Pelco-P, Pelco-D, self-adaptive
On-board Storage	Built-in memory card slot, support Micro SD/Micro SDHC/Micro SDXC, up to 256 GB

Reset	Yes
Fiber Optical	Yes
Event	
Basic Event	Motion detection, video tampering alarm, alarm input, alarm output, exception, audio exception
Smart Event	Intrusion detection, line crossing detection, region entrance detection, region exiting detection
General	
Power	36 VDC, 4.17 A, max. 90 W [Panorama] heating 6 W, supplement light 6 W [Detail] heating 6 W, supplement light 12 W
Dimension	Ø391 mm × 530 mm (15.39" × 20.87")
Weight	Approx. 16 kg (35.27 lb)
Operating Condition	Temperature: -40 °C to 70 °C (-40 °F to 158 °F), humidity: < 95%
Wiper	Yes
Demist	Yes
Approval	
Protection	IP67

▪ **Available Model**

DS-2SR8C440I5XG-LFW/SP/R15/18(RD)

▪ **Dimension**



▪ **Accessory**

▪ **Optional**

DS-4604ZJ-PA Wall mount	DS-4614ZJ-PA PTZ Pendant Mount
 A metallic, L-shaped wall mount bracket with a curved arm extending downwards and outwards from a square mounting plate.	 A metallic, circular pendant mount with a flange on top and a base with mounting holes.

See Far, Go Further



www.hikvision.com
support@hikvision.com

