

**DS-1684ZJ-P**  
**Vertical pole mount**

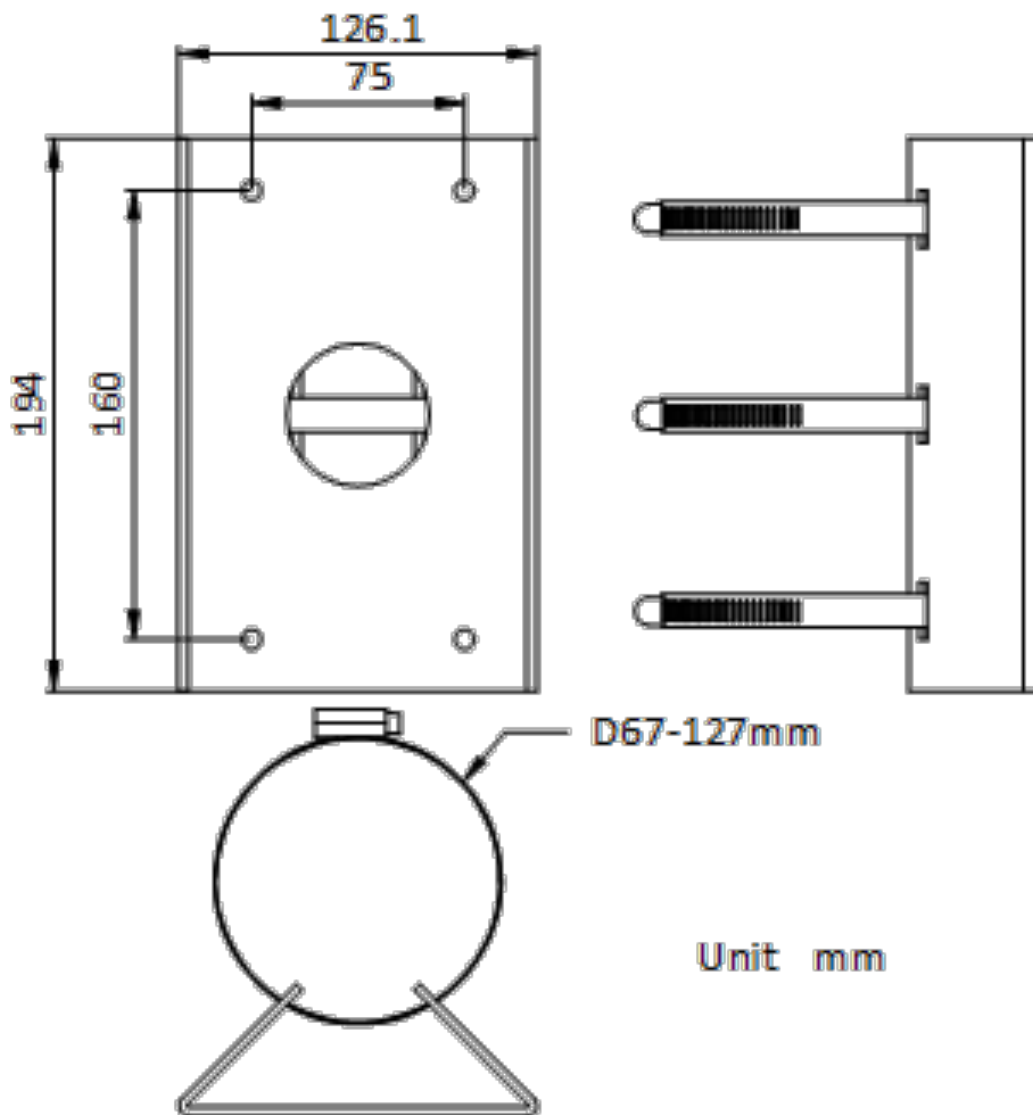


- Stainless steel and steel material with surface spray treatment
- Made by one piece stainless steel and steel ensures the reliable structure
- Adjustable diameter from 67 mm to 127 mm

▪ **Specification**

Parameters	
Weight	Approx. 1300 g (2.87 lb.)
Appearance	Platinum Grey
Material	Stainless Steel
Dimension	143 mm × 128 mm × 194 mm (5.63" × 5.04" × 0.64") Diameter: 67 to 127 mm (2.64" × 5.0")

▪ **Dimension**



▪ **Accessory**



DS-2DF9C435IHS-DLW(T2)

**Headquarters**

No.555 Qianmo Road, Binjiang District,  
Hangzhou 310051, China  
T +86-571-8807-5998  
www.hikvision.com



Follow us on social media to get the latest product and solution information.

