



INSTALLATION INSTRUCTIONS FOR DCP-AMS ADDRESSABLE MANUAL PULL STATION

The information contained in this installation instruction is a quick reference guide. For detailed system information refer to the panel manufacturer's installation manual. This instruction is generic and will not address specific programming procedures.

GENERAL DESCRIPTION:

This installation guide applies to the DCP-AMS series Addressable Manual Pull Stations. These devices are powered by a Hochiki compatible Signaling Line Circuit (SLC) utilizing the Hochiki (DCP) digital communications protocol. Each AMS module can be programmed (in EEPROM) with an address between 1 and 127 using the TCH-B100 handheld programmer (see Figure 1). Up to 127 DCP-AMS manual pull stations can be used on the same SLC loop.

Models covered by this instruction are as follows:

- DCP-AMS Addressable Manual Pull Station
- DCP-AMS-LP Addressable Manual Pull Station Lift and Pull (Dual Action)
- DCP-AMS-KL Addressable Manual Pull Station Key Lock Access
- DCP-AMS-KL-LP Addressable Manual Pull Station Key Lock Access Lift and Pull (Dual Action)

MOUNTING REQUIREMENTS:

The DCP-AMS series pull stations mount to a single gang electrical back box as shown in Fig. 2.

WIRING:

All wiring must conform to local codes, ordinances and regulations. The SLC wiring to the DCP-AMS manual pull stations can be wired in a Class B (style 4) or Class A (style 6) configuration. Class A (style 7) can be achieved with the use of DCP-SCI short circuit isolators. Please see Figure 3, 3A & 3B for proper wiring.

AMS MODULE ADDRESS PROGRAMMING CONNECTION AND INDICATOR

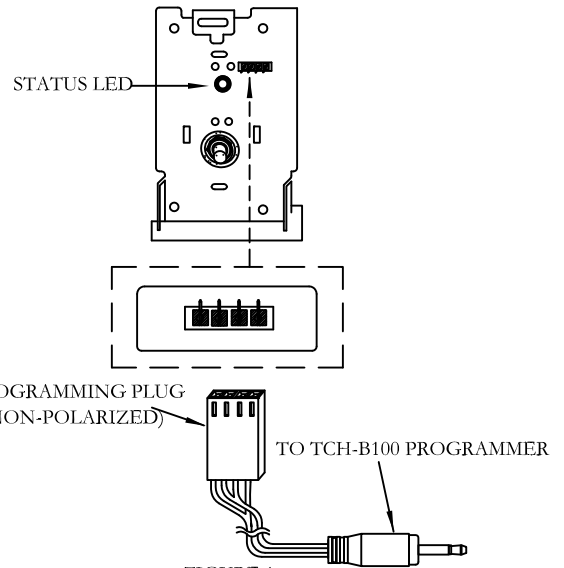


FIGURE 1
AMS PROGRAMMING CONNECTIONS

Note:

Radio Frequency Interference and Electro-Magnetic Interference are sources of noise that can adversely affect the fire alarm systems installation. When installing fire alarm system devices, avoid placing devices or wiring close to potential noise sources such as:

- Transmitters or antennas;
- Ballast lighting;
- Electrical motors;
- Large power transformers;
- Large machines.

Avoid running SLC circuit in the same conduit as power lines. Utilize twisted pair and shielded wire in environments where excessive noise is expected.

CAUTION!
Install the devices in this instruction in accordance with applicable NFPA standards, local codes, and the authorities having jurisdiction. Failure to follow these instructions may result in failure of the system to operate as intended. Hochiki America is not responsible for devices that have been improperly installed, tested, or maintained.

CAUTION!
To ensure proper operation connect this module to a compatible Fire Control Panel only. Refer to panel instructions for proper connection and compatibility.

CAUTION!
If this device will be installed in an existing operational system, inform the operator and local authority that the system will be temporarily out of service. Disconnect power to the control panel before installing the device.

NOTE: An average of 6.75mA (communication current) per loop of SLC devices, must be factored into the panel battery backup calculations.

SPECIFICATIONS

SLC Applied Voltage	Rated Range 25.3 – 39 VDC
SLC Current Consumption	Maximum 660µA, Surge current: 30mA (in 5ms.), Alarm: 8mA with Alarm LED latched Nominal 550µA
Visual Indicator (Status LED)	bi-color LED – Green & Red Color & Mode – Selected and Programmed by Control Panel's software
Operating Temperature Range	0°C (32°F) ~ 49°C (120°F)
Storage Temperature Range	-30°C (-22°F) ~ 70°C (158°F)
Maximum Relative Humidity	Up to 90% RH non-condensing
Environment	Indoor dry use only
Dimensions	3.4"W X 14.8"H X 2.0"D
Weight	Approximately 19 ounces

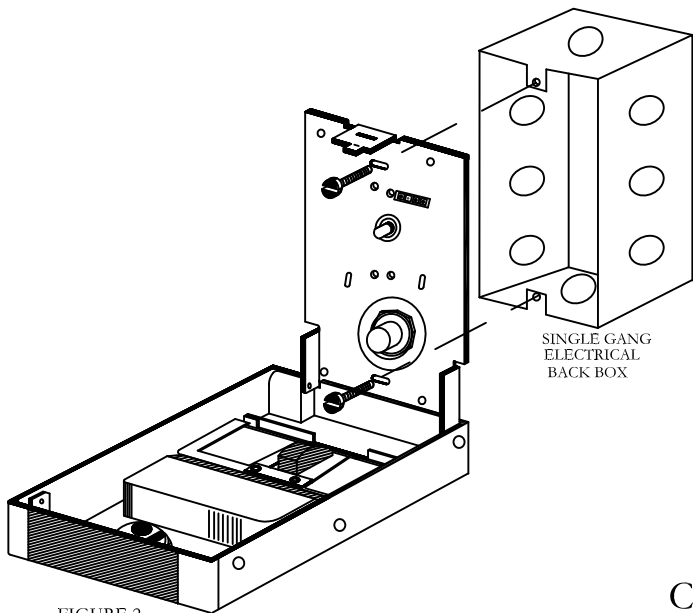


FIGURE 2
EXPLODED VIEW OF THE
MOUNTING OPTION

SINGLE GANG
ELECTRICAL
BACK BOX

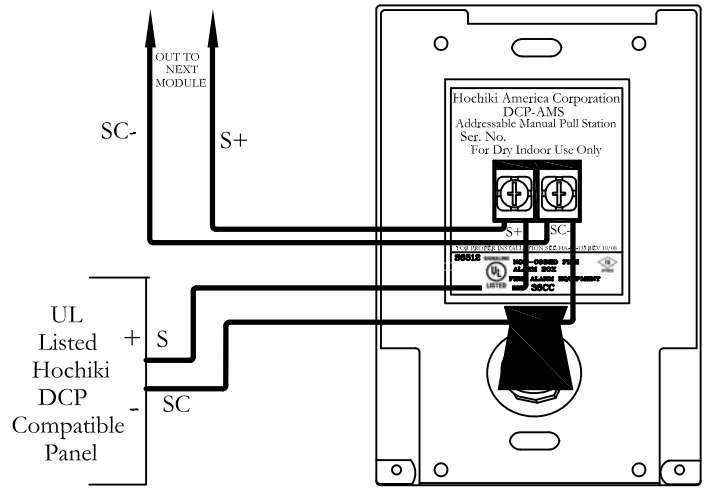


FIGURE 3
TYPICAL WIRING DIAGRAM EXAMPLE, CONNECTED
TO A COMPATIBLE LISTED CONTROL PANEL

Note: SC circuit is in reference to S, and SC

Class B (Style 4)

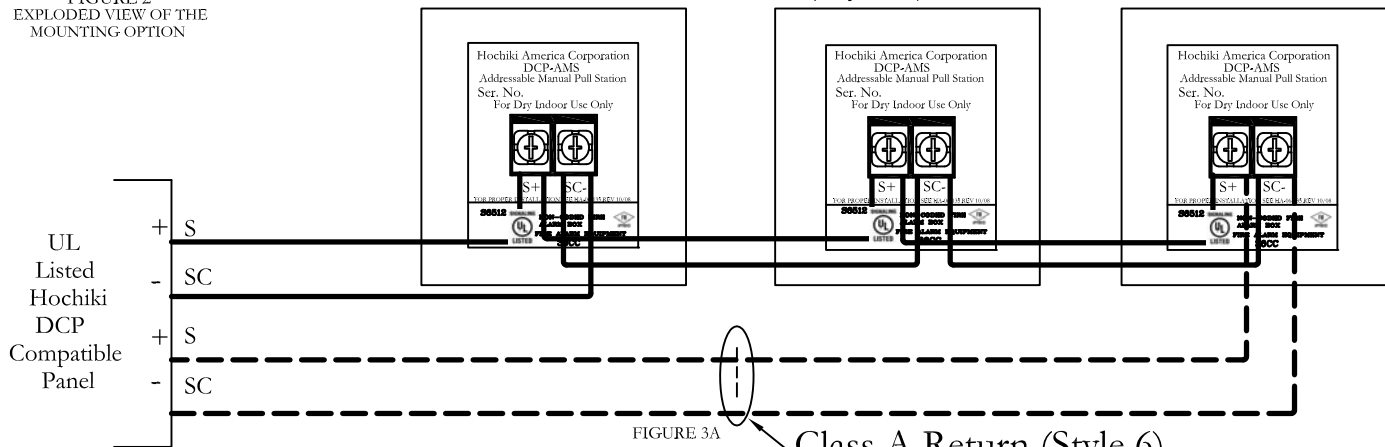


FIGURE 3A

Class A Return (Style 6)

Class A (Style 7)

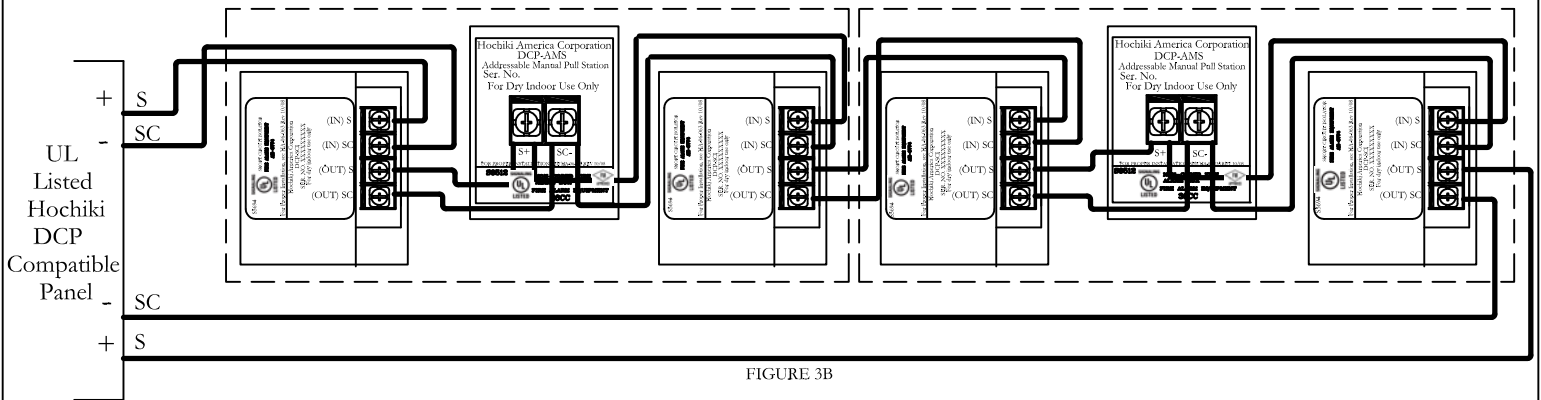


FIGURE 3B

One Year Limited Warranty

Hochiki America (HA) warrants its digital communication modules to be in conformance with its own plans and specifications and to be free from defects in materials and workmanship under normal use and service for a period of one (1) year from date of delivery. All warranties are void and HA is not obligated to repair or replace equipment which has been repaired by others, abused, improperly installed, altered or otherwise misused or damaged or exposed to conditions outside the products specifications in any way. HA will not be responsible for any dismantling, reassembling or re-installation charges. Please contact HA's Sales department for proper procedure for claims and return of merchandise. This warranty is in lieu of all other warranties expressed or implied.