

## Overview

---

Wall mount control panel for MTX/MRX series



DCP1V4S-US

## Features

---

- 1 Volume & 4 Switch equipped Wall Mount Control panel
- Easy connection by CAT5 carrying RS485 + power
- Maximum 8 DCPs can be connected to 1 MTX/MRX Series
- All three DCP models are available in either US or EU standardized sizes, built to meet the specifications of most regions around the globe

## Specifications

---

### General Specifications

		DCP1V4S-US
Dimensions	W	70mm (2.76inch)
	H	120mm (4.72inch)
	D	47mm (1.85inch)
Net Weight		0.118kg (0.26lbs)
Accessories		Plastic Cover

### Temperature Range

Conditions	Range
Operating Temperature Range	0 to 40°C
Storage Temperature Range	-20 to 60°C

### DCP Series Connection Distance

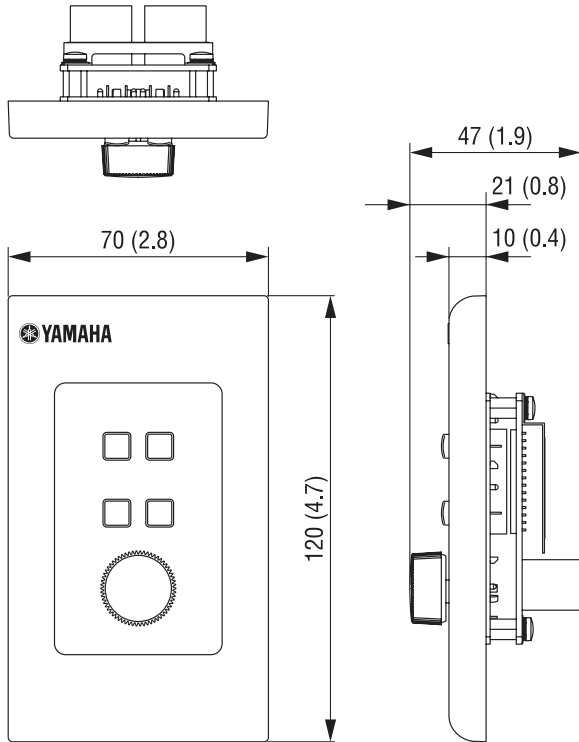
It is possible to connect up to eight units of DCP controller by using daisy chain connections of up to 200m. And, it is possible to extend the connection distance by reducing the number of DCP series that are installed as below.

Number of DCP	1	2	3	4	5	6	7	8
MTX3, MTX5-D, MRX7-D	1,000m	850m	550m	400m	350m	250m	250m	200m

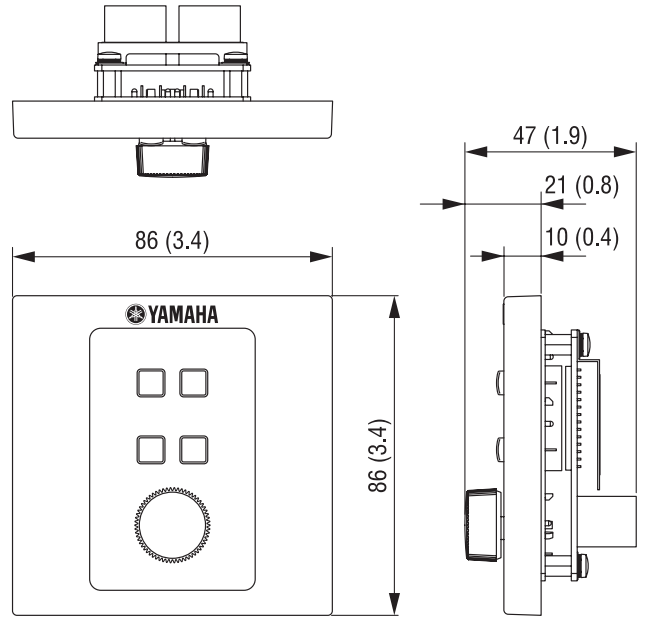
## Dimensions

Unit: mm (inch)

### DCP1V4S-US



### DCP1V4S-EU



\*All information subject to change without notice.

\*All trademarks and registered trademarks are property of their respective owners.

Created in March, 2017

YAMAHA CORPORATION  
 P.O.BOX 1, Hamamatsu Japan  
[www.yamahaproaudio.com](http://www.yamahaproaudio.com)