

# How To Use The Sinclair Clamp Selection Guide

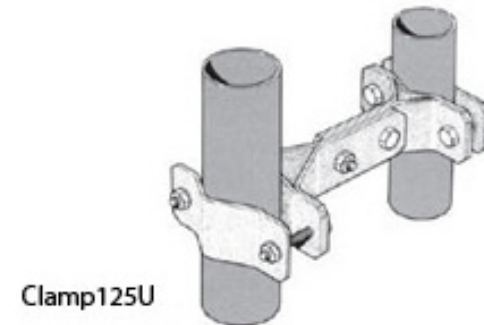
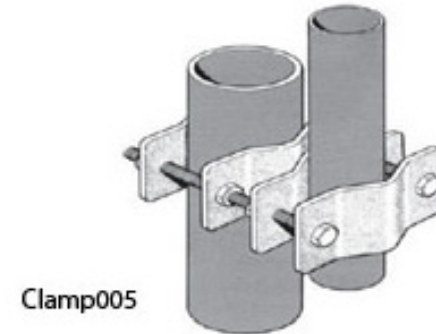
# Clamp Selection Guide

## Clamps and Mounting Hardware

Our standard clamps are designed for mounting base station antennas to a number of different fixtures including pipes, angle rods, wood poles, braces and flat surfaces. We also offer an extensive range of mounting hardware on special order basis. Please contact your Sinclair customer service representative for details.

## Sinclair Clamps

The table on the next set of slides summarizes a selection of the clamps offered. For further details including corresponding Sinclair antenna models, please download our comprehensive clamp selection guide available at [sinctech.com](http://sinctech.com) or contact your Sinclair customer service representative at 1-800-263-3275.



# Available Clamps

Pipe Parallel to Pipe			
Clamp	Material Type	Pipe 1	Pipe 2
Clamp005	Carbon Steel, Hot Dip Galvanized	1.5 - 3.5" Diameter	1.5 - 3.5" Diameter
Clamp006A	Carbon Steel, Hot Dip Galvanized	1.9 - 3.56" Diameter	1.9 - 3.56" Diameter
Clamp006B	Carbon Steel, Hot Dip Galvanized	2.37 - 4.5" Diameter	2.37 - 4.5" Diameter
Clamp006C	Carbon Steel, Hot Dip Galvanized	3.5 - 5.563" Diameter	3.5 - 5.563" Diameter
Clamp006E	Carbon Steel, Hot Dip Galvanized	4.0 - 8.63" Diameter	4.0 - 8.63" Diameter
Clamp009	Aluminum	1.5 - 3.5" Diameter	1.9" Diameter
Clamp013	Aluminum	1.5 - 1.9" Diameter	1.5 - 1.9" Diameter
Clamp015	Carbon Steel, Hot Dip Galvanized	1.5 - 3.5" Diameter	1.5 - 3.5" Diameter
Clamp015A	Carbon Steel, Hot Dip Galvanized	0.75 - 1.5" Diameter	1.5 - 3.5" Diameter
Clamp117	Aluminum	1.5 - 2.38" Diameter	1.9" Diameter
Clamp120	Carbon Steel, Hot Dip Galvanized	1.50 - 2.38" Diameter	1.50 - 2.38" Diameter
Clamp133	Carbon Steel, Hot Dip Galvanized	3.5 - 6.63" Diameter	3.5 - 6.63" Diameter
Clamp134HD	Carbon Steel, Hot Dip Galvanized	1.5 - 3.5" Diameter	3.5-6.6" Diameter
Clamp135	Carbon Steel, Hot Dip Galvanized	1.5" OR 3/4" & 0.84" Diameter	1.5 - 2.38" Diameter
Clamp135SS	Stainless Steel	1.5" OR 3/4" & 0.84" Diameter	1.5 - 2.38" Diameter

Universal Pipe Parallel to Pipe or Pipe 90 Degrees Clamp Kit			
Clamp	Material Type	Pipe 1	Pipe 2
Clamp120	Carbon Steel, Hot Dip Galvanized	1.50 - 2.38" Diameter	1.50 - 2.38" Diameter
Clamp130	Aluminum	1.5 - 2.88" Diameter	1.5 - 2.88" Diameter
Clamp147	Aluminum	2.88 - 4.5" Diameter	2.88 - 4.5" Diameter
Clamp148	Aluminum	2.88 - 4.5" Diameter	1.5 - 2.88" Diameter

Universal Parallel Clamp Kit			
Clamp	Material Type	Pipe 1	Pipe 2
Clamp125U (Pipe Parallel to Pipe)	Carbon Steel, Hot Dip Galvanized	1.5 - 3.5" Diameter	1.5 - 3.5" Diameter
Clamp125U (Pipe Parallel to 90 Degree Angle)	Carbon Steel, Hot Dip Galvanized	1.5 - 3.5" Diameter	1.25 - 2.75" Angle Depth, 90 Degrees
Clamp125U (Pipe Parallel to 60 Degree Angle)	Carbon Steel, Hot Dip Galvanized	1.5 - 3.5" Diameter	1.75 - 3.5" Angle Depth, 60 Degrees

# Available Clamps- Continued

Pipe 90 Degree to Pipe			
<u>Clamp</u>	<u>Material Type</u>	<u>Pipe 1</u>	<u>Pipe 2</u>
Clamp001	Aluminum	1.5" Diameter	1.9" Diameter
Clamp008	Aluminum	1.9" Diameter	1.9" Diameter
Clamp010	Aluminum	1.31 - 1.5" Diameter	1.31 - 1.5" Diameter
Clamp011	Aluminum	1.0" Diameter	1.9" Diameter
Clamp017	Carbon Steel, Hot Dip Galvanized	1.5 - 3.5" Diameter	1.5 - 3.5" Diameter
Clamp017HD	Carbon Steel, Hot Dip Galvanized	1.5 - 3.0" Diameter	2.88 - 4" Diameter
Clamp017S	Carbon Steel, Hot Dip Galvanized	0.75 - 1.5" Diameter	1.5 - 3.5" Diameter
Clamp028	Carbon Steel, Hot Dip Galvanized	2.88" Diameter	2.88" Diameter
Clamp033	Carbon Steel, Hot Dip Galvanized	1.5 - 3.5" Diameter	4.0 - 5.56" Diameter
Clamp073	Carbon Steel, Hot Dip Galvanized	2.88" Diameter	5.5" Diameter
Clamp073A	Carbon Steel, Hot Dip Galvanized	1.9" Diameter	5.56" Diameter
Clamp102	Carbon Steel, Hot Dip Galvanized	1.9" Diameter	6.63" Diameter
Clamp103	Carbon Steel, Hot Dip Galvanized	2.88" Diameter	6.63" Diameter
Clamp104	Carbon Steel, Hot Dip Galvanized	2.88" Diameter	8.63" Diameter
Clamp115	Aluminum	0.84" Diameter	1.5 - 2.38" Diameter
Clamp120	Carbon Steel, Hot Dip Galvanized	1.5 - 2.38" Diameter	1.5 - 2.38" Diameter
Clamp120SS	Stainless Steel	1.5 - 2.38" Diameter	1.5 - 2.38" Diameter
Clamp121A	Carbon Steel, Hot Dip Galvanized	1.5 - 2.38" Diameter	2.88" Diameter
Clamp121C	Carbon Steel, Hot Dip Galvanized	2.88" Diameter	5.0" Diameter
Clamp123A-1	Carbon Steel, Hot Dip Galvanized	1.6" Diameter	2.88" Diameter
Clamp123B-1	Carbon Steel, Hot Dip Galvanized	1.66" Diameter	4.0" Diameter

Pipe Parallel or 90 Degree to Pipe			
<u>Clamp</u>	<u>Material Type</u>	<u>Pipe 1</u>	<u>Pipe 2</u>
Clamp130	Aluminum	1.5 - 2.88" Diameter	1.5 - 2.88" Diameter

Pipe Omni-directional to Pipe			
<u>Clamp</u>	<u>Material Type</u>	<u>Pipe 1</u>	<u>Pipe 2</u>
Clamp017H	Carbon Steel, Hot Dip Galvanized	1.5 - 3.5" Diameter	1.5 - 3.5" Diameter
Clamp064	Carbon Steel, Hot Dip Galvanized	1.5 - 2.38" Diameter	1.5 - 2.38" Diameter
Clamp064HD	Carbon Steel, Hot Dip Galvanized	1.5 - 2.38" Diameter	1.5 - 2.38" Diameter

# Available Clamps- Continued

Pipe Parallel to Angle			
<u>Clamp</u>	<u>Material Type</u>	<u>Pipe 1</u>	<u>Pipe 2</u>
Clamp015B	Carbon Steel, Hot Dip Galvanized	1.5 - 3.5" Diameter	2 - 4" Angle Depth, 60 Degrees
Clamp015C	Carbon Steel, Hot Dip Galvanized	1.5 - 3.5" Diameter	1.5 - 4" Angle Depth, 90 Degrees
Clamp111	Carbon Steel, Hot Dip Galvanized	1.5 - 3.5" Diameter	3.5 - 6" Angle Depth, 90 Degrees
Clamp113A	Carbon Steel, Hot Dip Galvanized	1.5 - 3.5" Diameter	4 - 8" Angle Depth, 60 Degrees
Clamp128	Carbon Steel, Hot Dip Galvanized	3.5 - 6.63" Diameter	4 - 8" Angle Depth, 60 Degrees
Pipe 90 Degrees to Angle			
<u>Clamp</u>	<u>Material Type</u>	<u>Pipe 1</u>	<u>Pipe 2</u>
Clamp035	Carbon Steel, Hot Dip Galvanized	1.5 - 3.5" Diameter	2 - 4" Angle Depth, 60 Degrees
Clamp042	Carbon Steel, Hot Dip Galvanized	1.5 - 3.5" Diameter	4 - 8" Angle Depth, 60 Degrees
Clamp122	Carbon Steel, Hot Dip Galvanized	1.5 - 3.5" Diameter	1.5 - 4" Angle Depth, 90 Degrees
Pipe Omni-directional to Angle			
<u>Clamp</u>	<u>Material Type</u>	<u>Pipe 1</u>	<u>Pipe 2</u>
Clamp052A	Carbon Steel, Hot Dip Galvanized	1.5 - 3.5" Diameter	2 - 4" Angle Depth, 60 Degrees
Clamp052B	Carbon Steel, Hot Dip Galvanized	1.5 - 3.5" Diameter	4 - 8" Angle Depth, 60 Degrees
Pipe Parallel to Wood Pole or Wall			
<u>Clamp</u>	<u>Material Type</u>	<u>Pipe</u>	
Clamp017A	Carbon Steel, Hot Dip Galvanized	1.5 - 3.5" Diameter Parallel to Wood Post/ Wall	
Clamp017AS	Carbon Steel, Hot Dip Galvanized	0.75-1.5" Diameter Parallel to Wood Post/ Wall	
Clamp017B	Carbon Steel, Hot Dip Galvanized	1.5 - 2.3" Diameter Perpendicular to Wood Post	
Clamp033B	Carbon Steel, Hot Dip Galvanized	4.0" Diameter Parallel to Wood Post/ Wall	
Pipe to Brace			
<u>Clamp</u>	<u>Material Type</u>	<u>Pipe</u>	
Clamp017MX	Carbon Steel, Hot Dip Galvanized	1.5 - 2.88" Diameter to Brace	

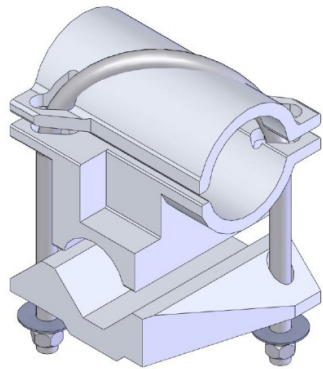
# Available Clamps- Continued

Pipe to Flat Surface		
<u>Clamp</u>	<u>Material Type</u>	<u>Pipe</u>
Clamp002	Aluminum	1.9" Diameter to Flat Surface (Plate)
Clamp002B	Aluminum	2.38" Diameter to Flat Surface (Plate)
Clamp004 (Aluminum)	Aluminum	2.88" Diameter to Flat Surface (Plate)
Clamp004B (Iron Casting)	Iron Casting, Hot Dip Galvanized	2.88" Diameter to Flat Surface (Plate)
Clamp131	Carbon Steel, Hot Dip Galvanized	3.5 - 6.63" Diameter to Flat Surface (13 1/4 Thick Max)
WMK-250	Aluminum	1.5 IPS (80) pipe with a Clamp008 to allow for rotation

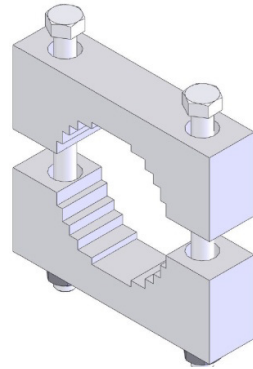
Pipe to Wall Surface		
<u>Clamp</u>	<u>Material Type</u>	<u>Pipe</u>
Clamp136	Carbon Steel, Hot Dip Galvanized	1.5 - 3.5" Diameter to Flat Surface

Downtilt Clamps		
<u>Clamp</u>	<u>Material Type</u>	<u>Pipe</u>
Clamp170	Aluminum/ Steel, Hot Dip Galvanized	1.5 - 2.88" Diameter Pipe Mounted, No Downtilt (SP304 Series)
Clamp141	Steel, Hot Dip Galvanized	2.38 - 2.88" Diameter Pipe Mounted, 0 to 20° Mechanical Downtilt (SE414 Series)
Clamp142	Steel, Hot Dip Galvanized	2.38 - 2.88" Diameter Pipe Mounted, 0 to 20° Mechanical Downtilt (SE419 Series)
Clamp191	Steel, Hot Dip Galvanized/ Aluminum	1.5 - 2.88" Diameter Pipe Mounted, 0 to 12° Mechanical Downtilt (SP304 Series)
Clamp191M	Steel, Hot Dip Galvanized/ Aluminum	38 - 73mm Diameter Pipe Mounted, 0 to 12° Mechanical Downtilt (SP304 Series)

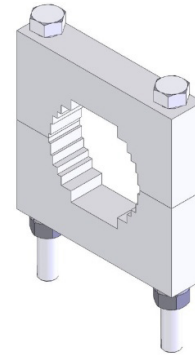
## Images of Various Clamps



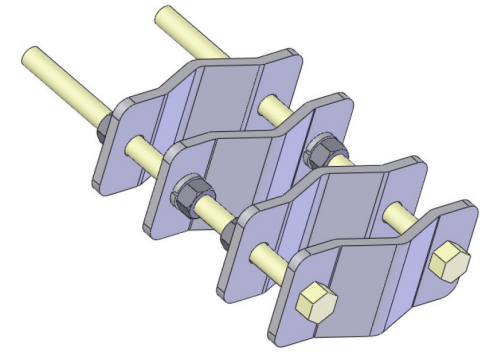
Clamp001



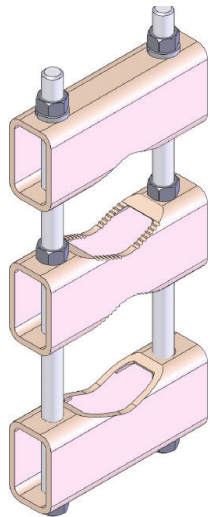
Clamp002B



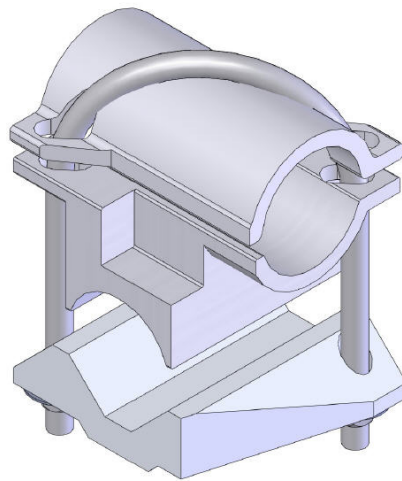
Clamp004



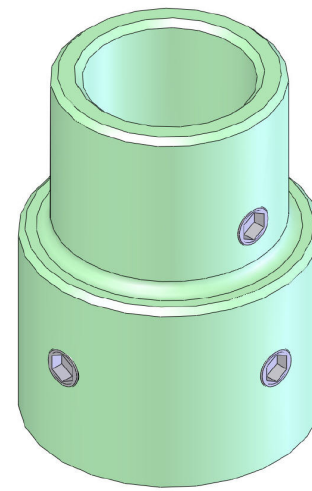
Clamp005



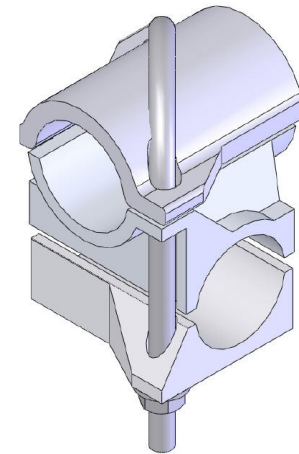
Clamp006A



Clamp008

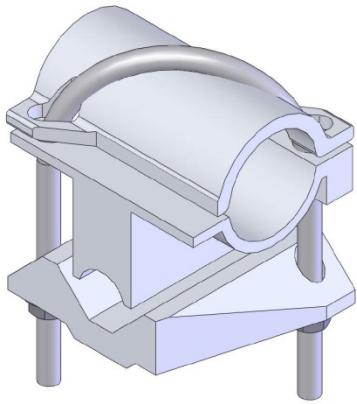


Clamp009

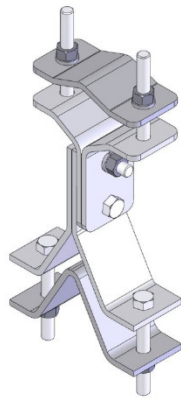


Clamp010

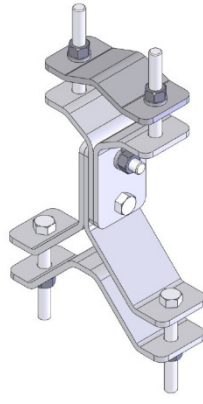
# Images of Various Clamps



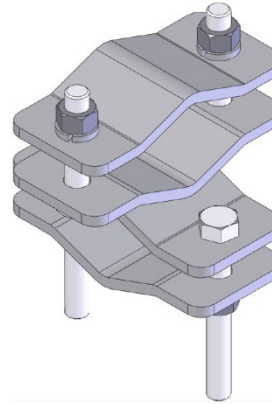
Clamp011



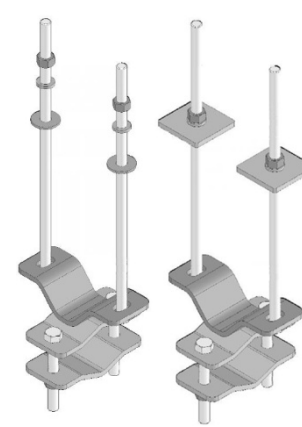
Clamp015B



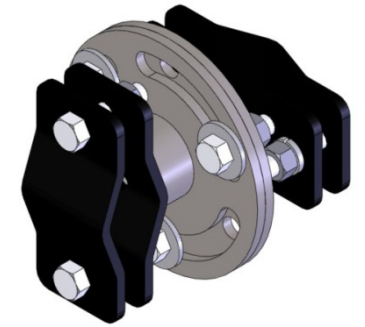
Clamp015C



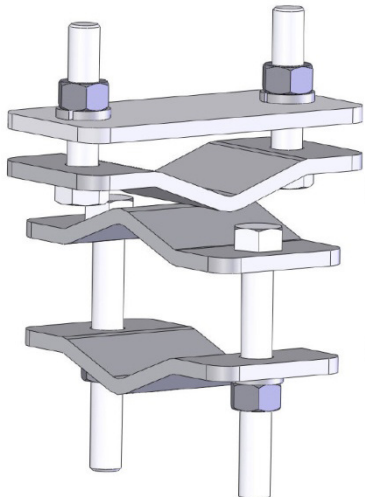
Clamp017



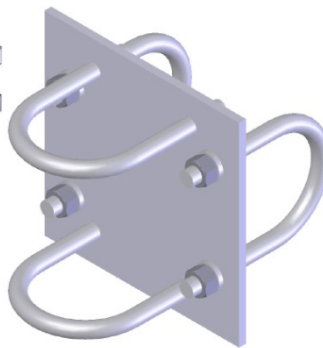
Clamp017A



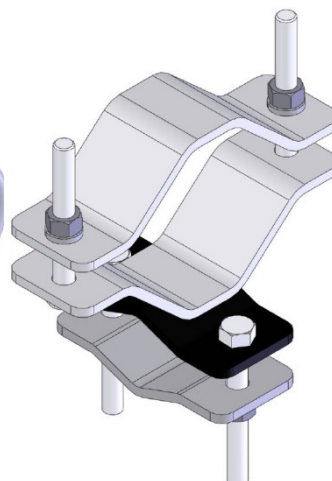
Clamp017H



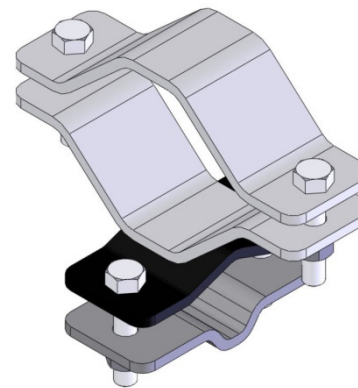
Clamp017S



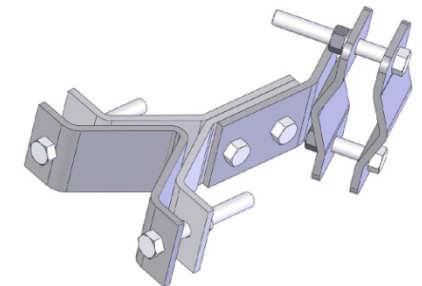
Clamp028



Clamp033



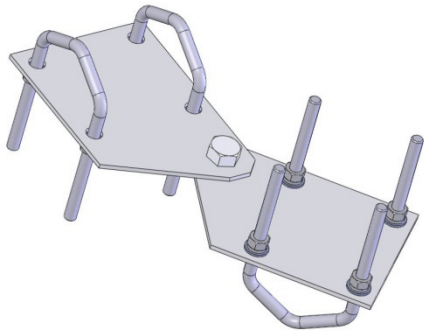
Clamp033C



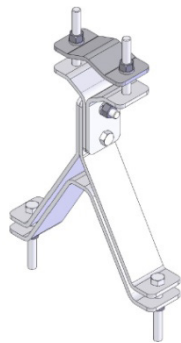
Clamp035



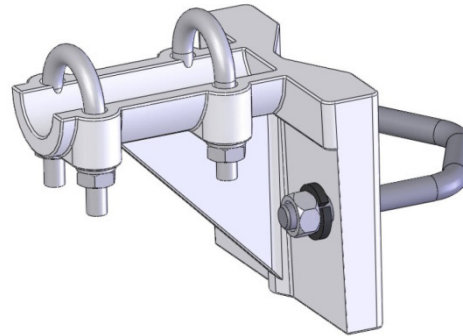
# Images of Various Clamps



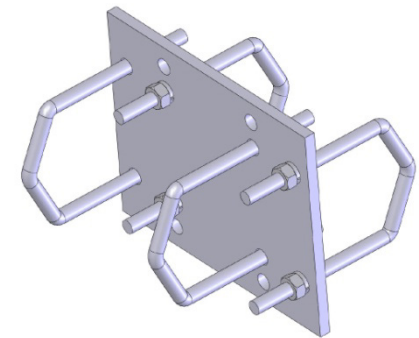
Clamp064



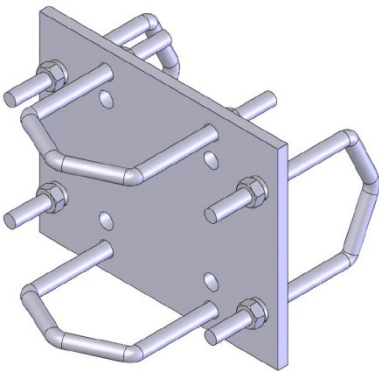
Clamp113A



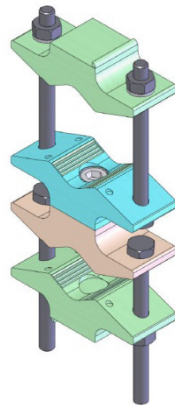
Clamp115



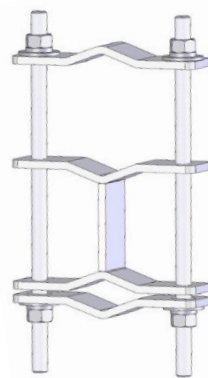
Clamp120  
Parallel



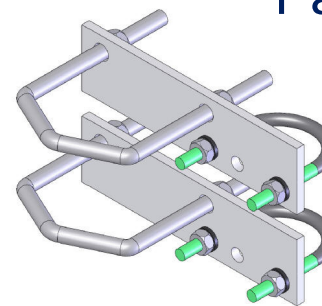
Clamp120  
Perpendicular



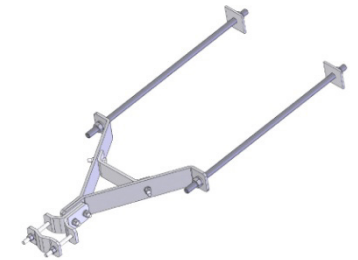
Clamp130



Clamp134HD

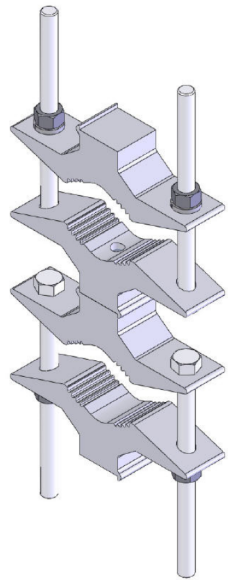


Clamp135  
& 135SS

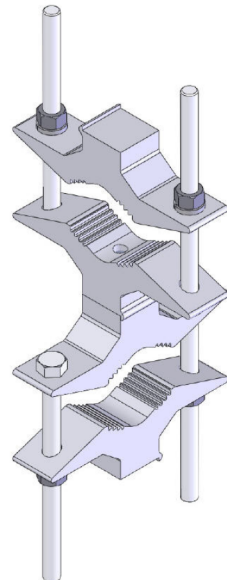


Clamp136

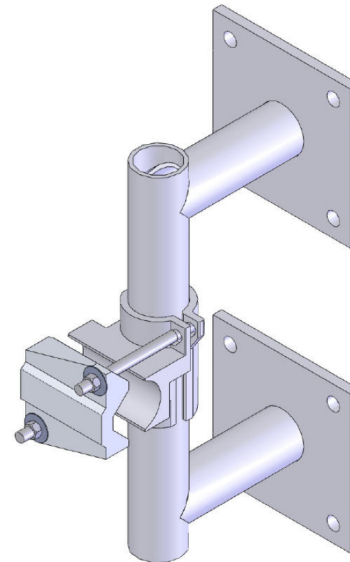
# Images of Various Clamps



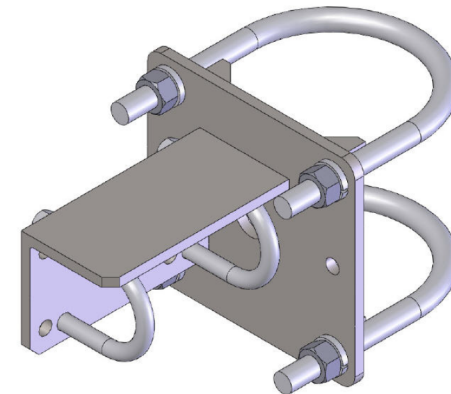
Clamp147  
Parallel



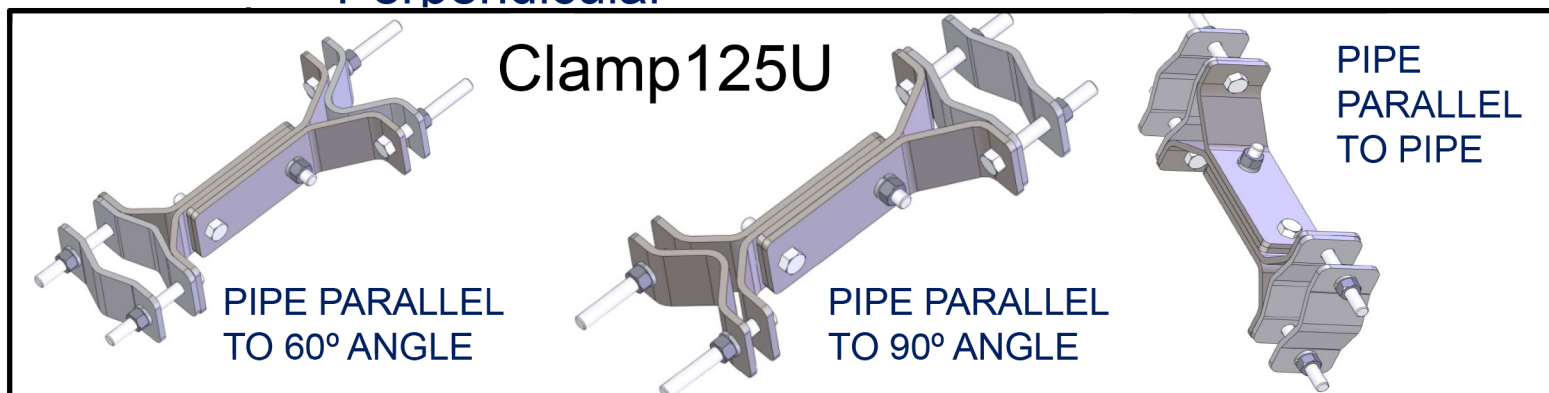
Clamp147  
Perpendicular



WMK-250



Clamp123B



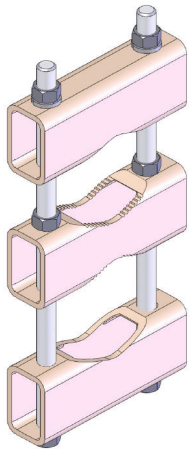
Clamp125U

PIPE PARALLEL  
TO 60° ANGLE

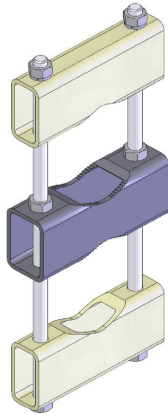
PIPE PARALLEL  
TO 90° ANGLE

PIPE  
PARALLEL  
TO PIPE

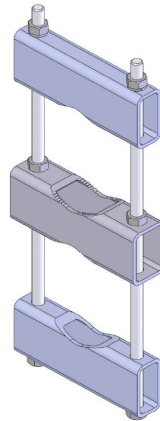
## Images of Various Clamps



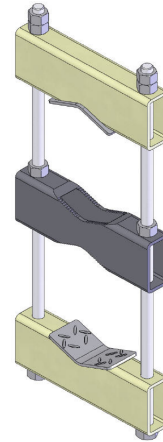
Clamp006A



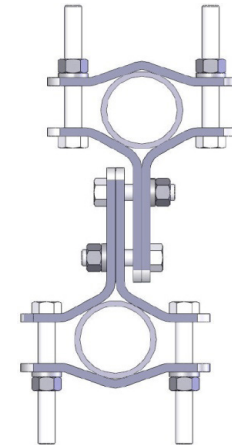
Clamp006B



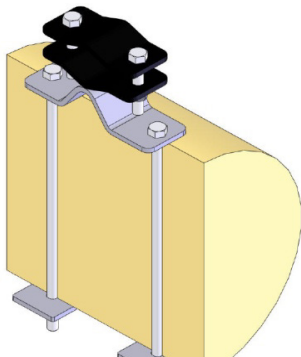
Clamp006C



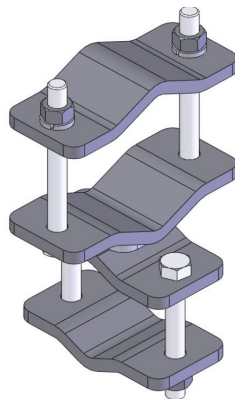
Clamp006E



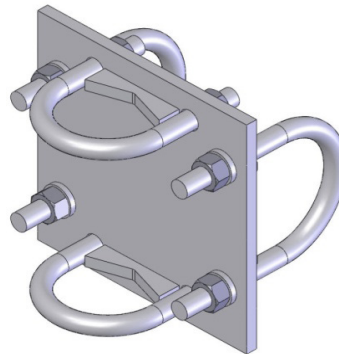
Clamp015



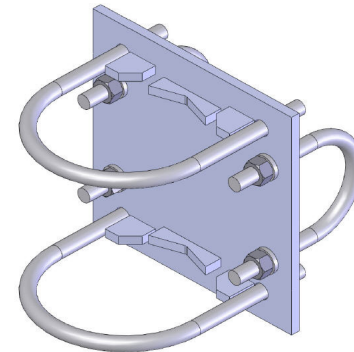
Clamp017B



Clamp017HD



Clamp121A



Clamp121C

# Clamp Selection Guide

Sinclair Antenna Models	Clamps: Antenna to Tower Leg or Support Pipe					
	Clamp Included	Qty Required	Round	60°	90°	wall, wood pole
SC226 Series, SC229 Series, SC328 Series, SC331 Series	<b>Clamp005</b>	2	Clamp006A OR Clamp147			Clamp017A OR Clamp136
SC225-M Series, SC225-H Series	<b>Clamp005</b>	2	Clamp147, Clamp15, OR Clamp130			Clamp017AS OR Clamp136
SC233 Series, SC233M Series	<b>Clamp135</b>	1	Qty 2- Clamp015A			Clamp017AS OR Clamp136
SC281-H Series, SC412-H Series		2	Clamp006C			Clamp136A
SC323 Series, SC323-H Series	<b>Clamp130</b>	2	Clamp005			Clamp017A OR Clamp136
SC329-H Series, SC369H Series	<b>Clamp130</b>	2	Clamp005, OR Clamp120			Clamp017AS OR Clamp136
SC381-H Series		2	Clamp006C			
SC488 Series, SC488-H Series	<b>Clamp130</b>	2	Clamp147, OR Clamp005			Clamp017A OR Clamp136
SC489 Series, SC489-H Series, SC420-H Series	<b>Clamp130</b>	2	Clamp147, OR Clamp015			Clamp017A OR Clamp136
SC432D-H Series, SC432T Series, 432T-H Series		2	Clamp006B, OR Clamp147			Clamp017A OR Clamp136
SC433 Series	<b>Clamp130</b>	1	Clamp147, OR Clamp005			Clamp017A OR Clamp136
SC746-HL Series		2	Clamp147, Clamp130, OR Clamp005			Clamp017A OR Clamp136
SC479-HL Series		2	Clamp006B, OR Clamp147			Clamp017A OR Clamp136
SD110 Series, (6 Clamps <35.5 MHz; 4 Clamps for >35.5 MHz)		6 or 4	Clamp017, Clamp033, OR Clamp130	Clamp035 OR Clamp042	Clamp122	Clamp017A OR Clamp136
SD112 Series, (12 Clamps <35.5 MHz; 8 Clamps for >35.5 MHz)		12 or 8	Clamp017, Clamp033, OR Clamp130	Clamp035 OR Clamp042	Clamp122	Clamp017A OR Clamp136
SD114 Series, (24 Clamps <35.5 MHz; 16 Clamps for >35.5 MHz)		24 or 16	Clamp017, Clamp033, OR Clamp130	Clamp035 OR Clamp042	Clamp122	Clamp017A OR Clamp136

\* Clamps listed in bold type are those normally included with selected standard antennas as indicated in this document.

\*\* No of clamps per antenna. Sinclair reserves the right to supply suitable equivalents if necessary without prior notice.

# Clamp Selection Guide- Continued

Sinclair Antenna Models	Clamps: Antenna to Tower Leg or Support Pipe					
	Clamp Included	Qty Required	Round	60°	90°	wall, wood pole
SD210 Series, SD210D Series, SD212 Series		2	Clamp005, Clamp015, OR Clamp130	Clamp015B, Clamp113A, OR	Clamp015C, Clamp111, OR	Clamp017A OR Clamp136
SD210-H Series		2	Clamp147, OR Clamp015	Clamp015B, Clamp113A	Clamp015C, OR Clamp111	Clamp017A OR Clamp136
SD210R-SF2P60LDF(D00S)		2	Clamp006A OR Clamp130			Clamp136
SD210R-SF2P90LDF(D00S)		2	Clamp006A OR Clamp130			Clamp136
SD210R-SF2P120LDF(D00S)		2	Clamp006A OR Clamp130			Clamp136
SD212R-SF2P60LDF(D00S)		2 and 4	Clamp006A OR Clamp006B (antenna) and Clamp064HD (supports)			Clamp136
SD212R-SF2P90LDF(D00S)		2 and 4	Clamp006A OR Clamp006B (antenna) and Clamp064HD (supports)			Clamp136
SD212R-SF2P120LDF(D00S)		2	Clamp006A OR Clamp006B			Clamp136
SD214R-SF2P60LDF(D00S)		3 and 8	Clamp006A OR Clamp006B (antenna) and Clamp064HD (supports)			Clamp136
SD214R-SF2P90LDF(D00S)		3 and 8	Clamp006A OR Clamp006B (antenna) and Clamp064HD (supports)			Clamp136
SD214R-SF2P120LDF(D00S)		3	Clamp006A or Clamp006B			Clamp136

\* Clamps listed in bold type are those normally included with selected standard antennas as indicated in this document.

\*\* No of clamps per antenna. Sinclair reserves the right to supply suitable equivalents if necessary without prior notice.

# Clamp Selection Guide- Continued

Sinclair Antenna Models	Clamps: Antenna to Tower Leg or Support Pipe					
	Clamp Included	Qty Required	Round	60°	90°	wall, wood pole
SD212-H Series		2	Clamp006A, OR Clamp147	Clamp015B OR Clamp113A	Clamp015C OR Clamp111	Clamp017A OR Clamp136
SD212D Series		2	Clamp147, Clamp005, OR Clamp015	Clamp15B, Clamp113A, OR	Clamp015C, Clamp111, OR	Clamp017A OR Clamp136
SD212D-H Series		2	Clamp006C	Clamp128		
SD212T-H Series		2	Clamp006E	Clamp128		
SD214 Series, SD2352 Series		2	Clamp147, Clamp005, OR Clamp015	Clamp15B, Clamp113A, OR	Clamp015C, Clamp111, OR	Clamp017A OR Clamp136
SD214-H Series (Side mount)		3	Clamp147	Clamp128		Clamp017A OR Clamp136
SD214-H Series (Top mount)		2	Clamp006C	Clamp128		Clamp136
SD218 Series, SD218 Series		4	Clamp147, Clamp015, OR Clamp130	Clamp15B, Clamp113A, OR	Clamp015C, Clamp111, OR	Clamp017A OR Clamp136
SD222 Series, SD224 Series	<b>Clamp130</b>	2	Clamp005, OR Clamp015			Clamp017AS OR Clamp136
SD235 Series	<b>Clamp015</b>	2	Clamp005, Clamp015, OR Clamp125U			Clamp017A OR Clamp136
SD235-H Series		2	Clamp006B			Clamp017A OR Clamp136
SD235D Series, SD2352 Series		2	Clamp006B			Clamp136
SD2352-H Series		2	Clamp006C			
SD235D-H Series		2	Clamp006E			

\* Clamps listed in bold type are those normally included with selected standard antennas as indicated in this document.

\*\* No of clamps per antenna. Sinclair reserves the right to supply suitable equivalents if necessary without prior notice.

## Clamp Selection Guide- Continued

Sinclair Antenna Models	Clamps: Antenna to Tower Leg or Support Pipe					
	Clamp Included	Qty Required	Round	60°	90°	wall, wood pole
SD310-H Series, SD312-H Series, SD314-H Series		2	Clamp005, Clamp130, OR Clamp125U	Clamp15B, Clamp113A, OR	Clamp015C, Clamp111, OR	Clamp017A OR Clamp136
SD314D-H Series		3	Clamp005, Clamp130, OR Clamp125U	Clamp15B, Clamp113A, OR	Clamp015C, Clamp111, OR	Clamp017A OR Clamp136
SD318-H Series		3	Clamp005, Clamp130, OR Clamp125U	Clamp15B, Clamp113A, OR	Clamp015C, Clamp111, OR	Clamp017A OR Clamp136
SD335 Series		2	Clamp005, Clamp015, Clamp130, OR Clamp125U			Clamp017A OR Clamp136
SD335-H Series		2	Clamp005, Clamp015, OR Clamp125U			Clamp017A OR Clamp136
SD3352 Series	<b>Clamp130</b>	2	Clamp005, Clamp015, OR Clamp125U			Clamp017A OR Clamp136
SD3352D Series		2	Clamp006B			
SD3352D-H Series		2	Clamp006C			
SD3352-H Series	<b>Clamp130</b>	2	Clamp147, Clamp005, OR Clamp015,			Clamp017A OR Clamp136
SE412 Series, SE414 Series, SE419 Series	<b>Clamp130</b>	1	Clamp 141 DT(for SE414); 142 DT(for SE419)	N/A	N/A	N/A
SG101A Series, SG101C Series, SC101-Series	<b>Clamp120</b>	2	Clamp005, OR Clamp015	Clamp015B OR Clamp113A	Clamp015C OR Clamp111	Clamp002, Clamp017A, OR
SG201 Series, SG217 Series	<b>Clamp135</b>	1		Clamp015B OR Clamp113A	Clamp015C OR Clamp111	Clamp017AS OR Clamp136
SG238 Series	<b>Clamp135</b>	1				
SG238-H Series	<b>Clamp130</b>	2		Clamp015B, Clamp113A	Clamp015C OR Clamp111	Clamp017AS OR Clamp136
SG301 Series, SG317 Series, SG401 Series	<b>Clamp135</b>	1		Clamp015B, Clamp113A	Clamp015C OR Clamp111	Clamp017AS OR Clamp136

\* Clamps listed in bold type are those normally included with selected standard antennas as indicated in this document.

\*\* No of clamps per antenna. Sinclair reserves the right to supply suitable equivalents if necessary without prior notice.

# Clamp Selection Guide- Continued

Sinclair Antenna Models	Clamps: Antenna to Tower Leg or Support Pipe					
	Clamp Included	Qty Required	Round	60°	90°	wall, wood pole
SP440 Series, SP441 Series	<b>Clamp167</b>	1		N/A	N/A	N/A
SP470 Series	<b>Clamp166</b>	1		N/A	N/A	N/A
SP304V Series		1	Clamp170 kit without DT, Clamp191 kit with DT	N/A	N/A	Clamp kit 191 with down tilt
SV227 Series, SV228 Series	<b>Clamp004</b>	2		N/A	N/A	N/A
SV260 Series, SV227 Series, SV228-H Series	<b>Clamp004</b>	2		N/A	N/A	N/A
SV302-H Series, SV360 Series, SV460 Series	<b>Clamp004</b>	2		N/A	N/A	N/A
SV402 Series	<b>Clamp130</b>	2	249678-1 only	N/A	N/A	N/A
SY203 Series, SY203-H Series	<b>Clamp001</b>	1		N/A	N/A	N/A
SY206(E) Series, SY250(E) Series (F2 thru F5)	<b>Clamp008</b>	1		N/A	N/A	N/A
SY206-SF1SNM(E), SY250-SF1SNM(E)	<b>Clamp008</b>	1		N/A	N/A	N/A
SY206(C) Series	<b>Clamp001</b>			N/A	N/A	N/A
SY206-H (E) Series	<b>Clamp017, Clamp064</b>	1, 2		N/A	N/A	N/A

\* Clamps listed in bold type are those normally included with selected standard antennas as indicated in this document.

\*\* No of clamps per antenna. Sinclair reserves the right to supply suitable equivalents if necessary without prior notice.



# Clamp Selection Guide- Continued

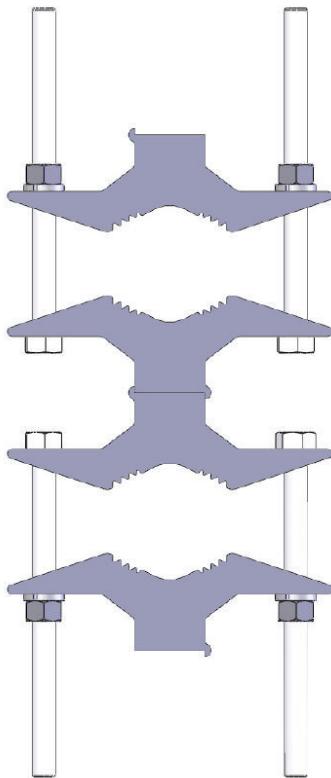
Sinclair Antenna Models	Clamps: Antenna to Tower Leg or Support Pipe					
	Clamp Included	Qty Required	Round	60°	90°	wall, wood pole
SY2062(C)Series	<b>Clamp001</b>	2		N/A	N/A	N/A
SY2062(E) Series	<b>Clamp008</b>	2		N/A	N/A	N/A
SY2066-H(E) Series (Heated Array)	<b>Clamp184</b>	1	Doughnut Clamp	N/A	N/A	N/A
SY250 Series	<b>Clamp001</b>	1	Clamp017B, pole mtg	N/A	N/A	N/A
SY260 Series	<b>Clamp004</b>	2		N/A	N/A	N/A
SY303 Series, SY307 Series, SY350 Series, SY3072 Series	<b>Clamp115</b>	1		N/A	N/A	N/A
SY360 Series, SY460 Series, SY260 Series	<b>Clamp004</b>	2		N/A	N/A	N/A
SY3074 Series	<b>Clamp115, Clamp001</b>	4,2		N/A	N/A	N/A
SY407 Series, SY406 Series, SY415 Series, SY4062 Series, SY450 Series	<b>Clamp115</b>	1		N/A	N/A	N/A
SY306R-H Series	<b>Clamp002B</b>	2		N/A	N/A	N/A
SY406R-H Series, SY415R-H Series, SY4152R-H Series	<b>Clamp002B</b>	2		N/A	N/A	N/A

\* Clamps listed in bold type are those normally included with selected standard antennas as indicated in this document.

\*\* No of clamps per antenna. Sinclair reserves the right to supply suitable equivalents if necessary without prior notice.

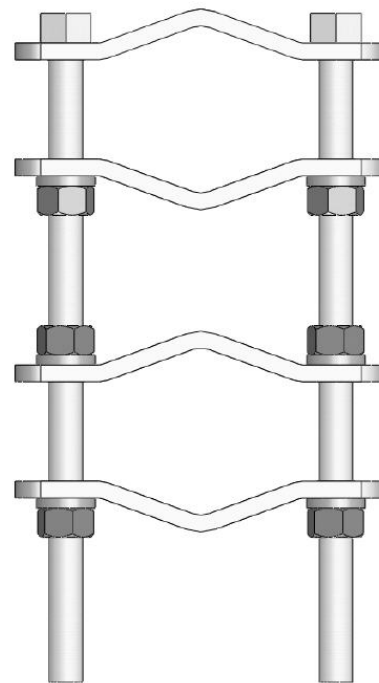
## Model Of Interest: SD214-SF2P2SNM(D00)

For A Round Tower Leg,  
the three clamps that can  
be used are the Clamp147, Clamp005, or the Clamp015.



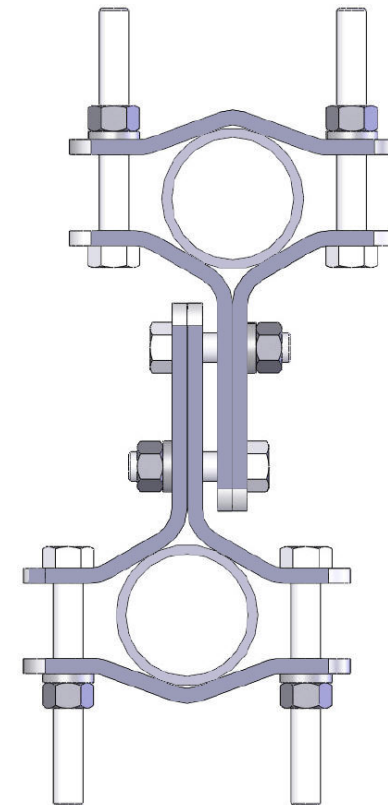
**Clamp147**

Specification: 2.88 - 4.5" O.D.  
To 2.88 - 4.5" O.D Pipe



**Clamp005**

Specifications: 1.5 - 3.5" OD  
To 1.5 - 3.5" OD Pipe



**Clamp015**

Specifications: 1.5 - 3.5" OD  
To 1.5 - 3.5" OD Pipe

# Clamp147 vs. Clamp005 vs. Clamp015

- The first Pipe specification is for the antenna.
- The base pipe diameter for the SD214-HF2P2SNM(D0S) is 2.88 inches.
- The Clamp147 spec for the first pipe is 2.88 - 4.5" O.D. Pipe
- The Clamp005 and Clamp015 spec for the first pipe is 1.5 - 3.5" OD Pipe.
- Both clamps will accommodate the 2.88 inch pipe diameter. Either the Clamp005 or Clamp015 may be better since the diameter of the antenna is somewhere in the middle of the spec versus the Clamp147 where the diameter is the starting point.
- The next thing to look at is the diameter of the tower leg where you want to secure the antenna.

# Clamp147 vs. Clamp005 vs. Clamp015

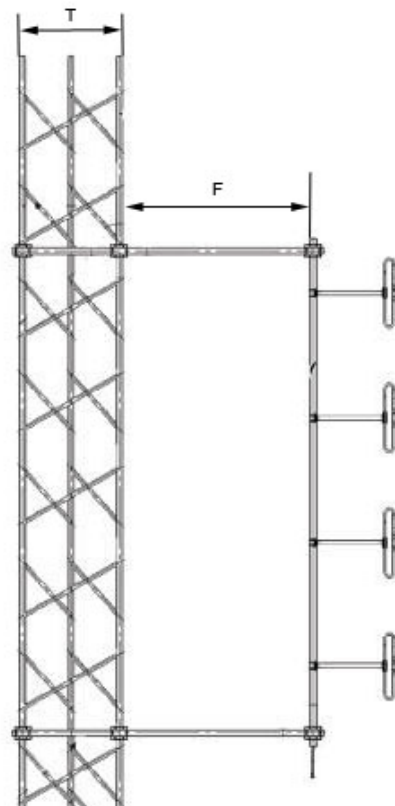
- The Clamp147 spec for the second pipe is 2.88 - 4.5" O.D. Pipe
- The Clamp005 and Clamp015 spec for the second pipe is 1.5 - 3.5" OD Pipe.
- If the tower leg or support pipe has an outer diameter that is greater than 3.5 inches, then the only clamp that will work is the Clamp147.
- If the tower leg or support pipe has an outer diameter is greater than 1.5 inches, but less than 2.88 inches, then either the Clamp005 or Clamp015.
- If the tower leg or support pipe has an outer diameter between 2.88 inches and 3.5 inches, either clamp will work.

# Sinclair Side Mount Kits

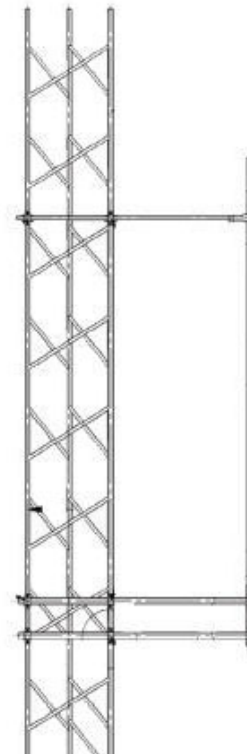
## Sinclair Side Mount Kits

Sinclair's side-mounting kits offer sturdy support for antennas that can be side mounted in situations where top mounting is not the best option.

SMK-125-A7  
ADJUSTABLE SIDE MOUNTING KIT ASSEMBLY



SMK-325-A3  
ADJUSTABLE SIDE MOUNTING KIT ASSEMBLY



# Sinclair Side Mount Kits

<u>SMK Model Number</u>	<u>Spacing From Tower (F)</u>	<u>Tower Leg Spacing (T)</u>	<u>Note</u>
SMK-225-A3	3 feet 6 inches (max)	60 inches (max)	3 pipes, for SC229
SMK-225-A7	7 feet 6 inches (max)	60 inches (max)	3 pipes, for SC229
SMK-225-A3-T5	3 feet 6 inches (max)	60 inches (max)	3 pipes, for SC226,328
SMK-225-A7-T5	7 feet 6 inches (max)	60 inches (max)	3 pipes, for SC226,328
SMK-325-A3	3 feet 6 inches (max)	60 inches (max)	3 pipes, for SC420, 48x
SMK-325-A7	7 feet 6 inches (max)	60 inches (max)	3 pipes, for SC420, 48x
SMK-335-A3	3 feet 6 inches (max)	60 inches (max)	3 pipes, for SC43x, 479
SMK-335-A7	7 feet 6 inches (max)	60 inches (max)	3 pipes, for SC43x, 479
SMK-345-A7	7 feet 6 inches (max)	60 inches (max)	3 pipes, SC281, 381, 412
SMK-125-A3	3 feet 6 inches (max)	36 inches (max)	2 pipes, for SD antenna
SMK-125-A7	7 feet 6 inches (max)	36 inches (max)	2 pipes, for SD antenna
SMK-135-A3-T3	3 feet 6 inches (max)	36 inches (max)	3 pipes, for SD318-H
SMK-425-A3-T3	3 feet 6 inches (max)	36 inches (max)	2 pipes, for SD212-H
SMK-425-A7-T3	7 feet 6 inches (max)	36 inches (max)	2 pipes, for SD212-H
SMK-435-A3-T5	3 feet 6 inches (max)	60 inches (max)	3 pipes, for SD214-H
SMK-435-A7-T5	7 feet 6 inches (max)	60 inches (max)	3 pipes, for SD214-H

# Antenna Side Mounting Kits

Antenna Side Mounting Kits for Offset Mounting:	Clamps: Antenna to Tower Leg or Support Pipe					
	Clamps Included For Securing Side Mount Kit to Antenna and Tower	Qty Included	Round	60°	90°	wall, pole
For SD222-Series, SD224-Series, SD210-Series, SD212-Series, OR SD214-Series; Recommend <b>SMK-125-A3</b>	<b>Clamp120</b>	6	Included	Clamp035, pipe 1.5" to 3.5", angle 2" to 4"	Clamp122, pipe 1.5" to 3.5", angle 1.5" to 4"	Clamp136, pipe 1.5" to 3.5", wall only
For SD222-Series, SD224-Series, SD210-Series, SD212-Series, OR SD214-Series; Recommend <b>SMK-125-A7</b>	<b>Clamp120</b>	6	Included	Clamp035, pipe 1.5" to 3.5", angle 2" to 4"	Clamp122, pipe 1.5" to 3.5", angle 1.5" to 4"	Clamp136, pipe 1.5" to 3.5", wall only
For SD310-H Series, SD312-H Series, SD314-H Series, SD310D, OR SD312D Series; Recommend <b>SMK-125-A3</b>	<b>Clamp120</b>	6	Included	Clamp035, pipe 1.5" to 3.5", angle 2" to 4"	Clamp122, pipe 1.5" to 3.5", angle 1.5" to 4"	Clamp136, pipe 1.5" to 3.5", wall only
For SD314D-H Series OR SD318-H Series (three support pipes); Recommend <b>SMK-135-A3-T3</b>	<b>Clamp017</b>	9	Included	Clamp035, pipe 1.5" to 3.5", angle 2" to 4"	Clamp122, pipe 1.5" to 3.5", angle 1.5" to 4"	Clamp136, pipe 1.5" to 3.5", wall only
For SD210-H Series, SD212-H Series; Recommend <b>SMK-425-A3-T3</b>	<b>Clamp017 (tower); Clamp017HD (antenna)</b>	4, 2	Included	Clamp035, pipe 1.5" to 3.5", angle 2" to 4"	Clamp122, pipe 1.5" to 3.5", angle 1.5" to 4"	Clamp136, pipe 1.5" to 3.5", wall only
For SD210-H Series, SD212-H Series; Recommend <b>SMK-425-A7-T3</b>	<b>Clamp017 (tower); Clamp017HD (antenna)</b>	4, 2	Included	Clamp035, pipe 1.5" to 3.5", angle 2" to 4"	Clamp122, pipe 1.5" to 3.5", angle 1.5" to 4"	Clamp136, pipe 1.5" to 3.5", wall only
SD214-H Series; Recommend <b>SMK-435-A3-T5</b> (Three support pipes)	<b>Clamp017HD</b>	9	Included	Clamp035, pipe 1.5" to 3.5", angle 2" to 4"	Clamp122, pipe 1.5" to 3.5", angle 1.5" to 4"	Clamp136, pipe 1.5" to 3.5", wall only
SD214-H Series; Recommend <b>SMK-435-A7-T5</b> (Three support pipes)	<b>Clamp017HD</b>	9	Included	Clamp035, pipe 1.5" to 3.5", angle 2" to 4"	Clamp122, pipe 1.5" to 3.5", angle 1.5" to 4"	Clamp136, pipe 1.5" to 3.5", wall only

\* Clamps listed in bold type are those normally included with selected standard antennas as indicated in this document.

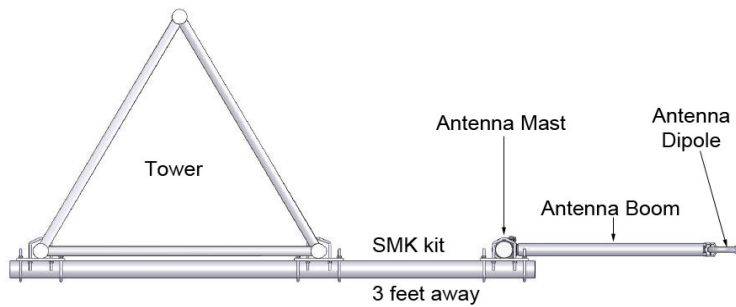
\*\* No of clamps per antenna. Sinclair reserves the right to supply suitable equivalents if necessary without prior notice.

# Antenna Side Mounting Kits- Continued

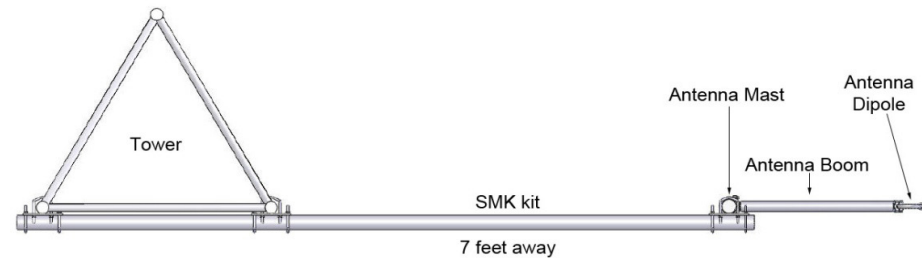
Antenna Side Mounting Kits For Offset Mounting:	Clamps: Antenna to Tower Leg or Support Pipe					
	Clamps Included For Securing Side Mount Kit to Antenna and Tower	Qty Included	Round	60°	90°	wall, pole
For SC229-Series, SC320-Series, OR SC249-Series; Recommend <b>SMK-225-A3</b>	<b>Clamp120 (Tower), Clamp017 (Antenna)</b>	6, 2	Included	Clamp035, pipe 1.5" to 3.5", angle 2" to 4"	Clamp122, pipe 1.5" to 3.5", angle 1.5" to 4"	N/A
For SC229-SFXSNM(F2210-E6011), SC226, OR SC328; Recommend <b>SMK-225-A3-T5</b>	<b>Clamp017</b>	8	Included	Clamp035, pipe 1.5" to 3.5", angle 2" to 4"	Clamp122, pipe 1.5" to 3.5", angle 1.5" to 4"	N/A
For SC229-Series, SC320-Series, OR SC249-Series; Recommend <b>SMK-225-A7</b>	<b>Clamp120 (Tower), Clamp017 (Antenna)</b>	6, 2	Included	Clamp035, pipe 1.5" to 3.5", angle 2" to 4"	Clamp122, pipe 1.5" to 3.5", angle 1.5" to 4"	N/A
For SC229-SFXSNM(F2210-E6011), SC226, OR SC328; Recommend <b>SMK-225-A7-T5</b>	<b>Clamp017</b>	8	Included	Clamp035, pipe 1.5" to 3.5", angle 2" to 4"	Clamp122, pipe 1.5" to 3.5", angle 1.5" to 4"	N/A
For SC420, SC480, SC481, <b>OR SC488 Series</b> ; Recommend <b>SMK-325-A3</b>	<b>Clamp017</b>	8	Included	Clamp035, pipe 1.5" to 3.5", angle 2" to 4"	Clamp122, pipe 1.5" to 3.5", angle 1.5" to 4"	N/A
For SC420, SC480, SC481, <b>OR SC488 Series</b> ; Recommend <b>SMK-325-A7</b>	<b>Clamp017</b>	8	Included	Clamp035, pipe 1.5" to 3.5", angle 2" to 4"	Clamp122, pipe 1.5" to 3.5", angle 1.5" to 4"	N/A
For SC432, SC432D, SC432T, SC479, OR SC412-Series; Recommend <b>SMK-335-A3</b>	<b>Clamp017</b>	8	Included	Clamp035, pipe 1.5" to 3.5", angle 2" to 4"	Clamp122, pipe 1.5" to 3.5", angle 1.5" to 4"	N/A
For SC432, SC432D, SC432T, SC479, OR SC412-Series; Recommend <b>SMK-335-A7</b>	<b>Clamp017</b>	8	Included	Clamp035, pipe 1.5" to 3.5", angle 2" to 4"	Clamp122, pipe 1.5" to 3.5", angle 1.5" to 4"	N/A
For SC281-H Series, SC381-H Series, OR SC412-H Series; Recommend <b>SMK-345-A7</b>	<b>Clamp121C (Antenna Only)</b>	2	Not Supplied. Recommend Clamp017 HD (1.5"-4.0" diameter)	N/A	N/A	N/A



# Top View of Side Mount Kits



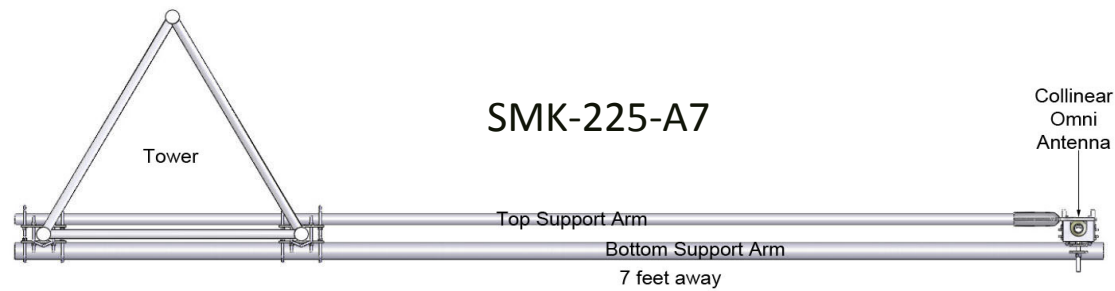
SMK-125-A3



SMK-125-A7

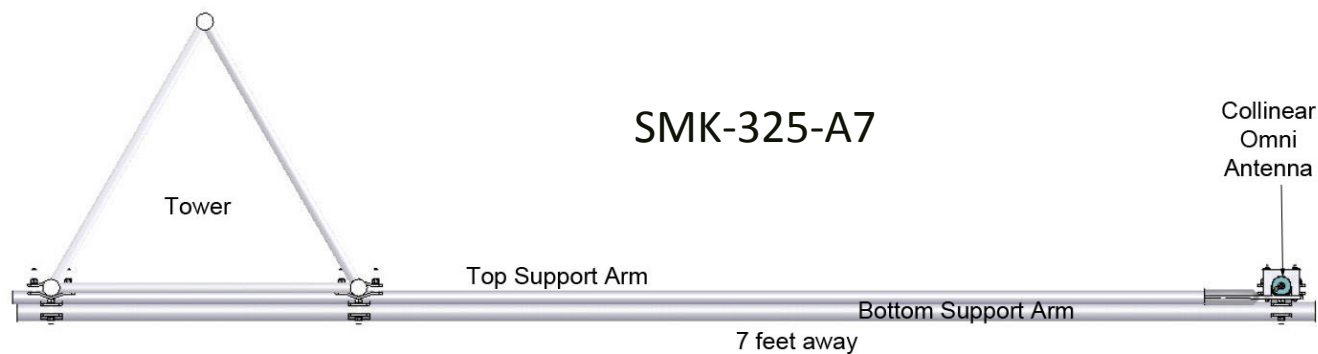
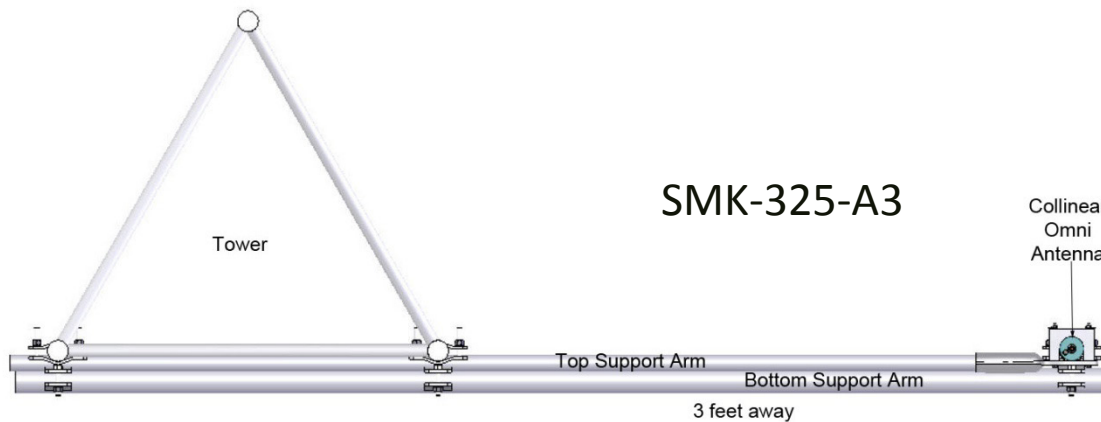


SMK-225-A3

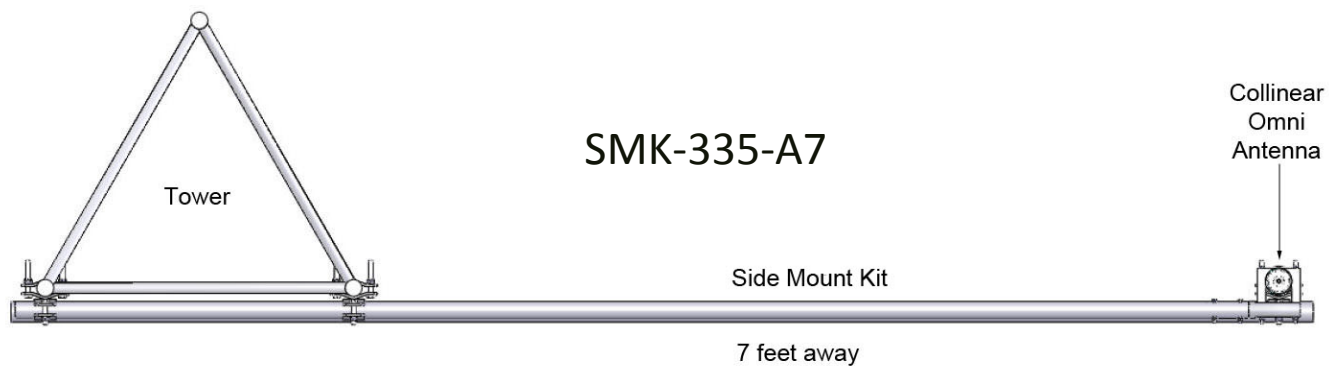
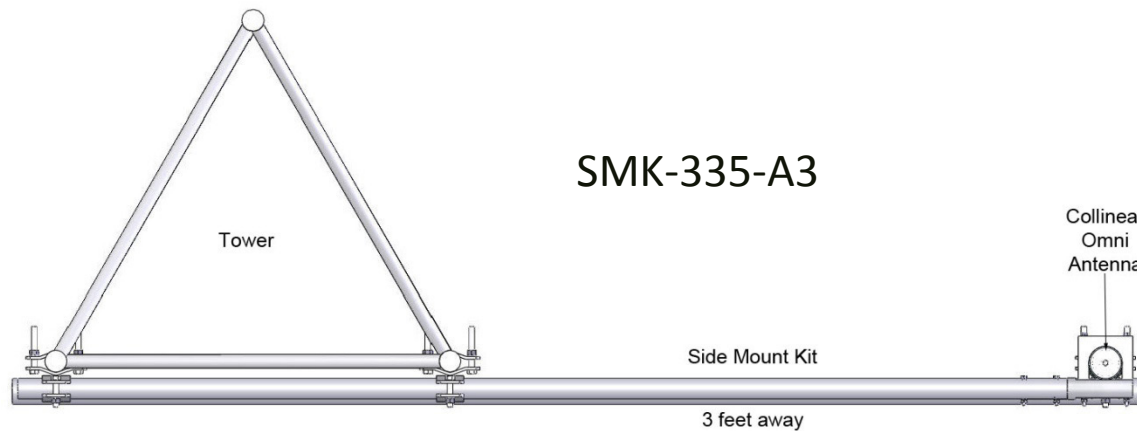


SMK-225-A7

# Top View of Side Mount Kits- Continued



# Top View of Side Mount Kits- Continued



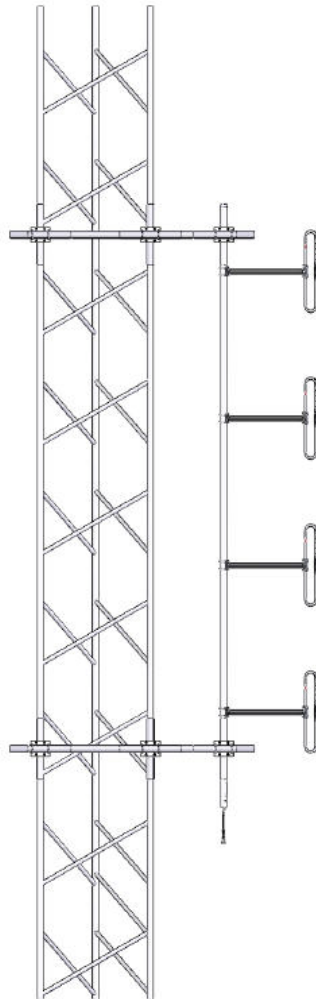
# Selecting the right Side Mount Kit

When side mounting the SD222-SF, SD224-SF, SD210-SF, SD212-SF, or SD214-SF series, we recommend that the customer supports the antenna at both the top and bottom of the mast. The Sinclair SMK kits should be recommended to the customer when they order any antenna.

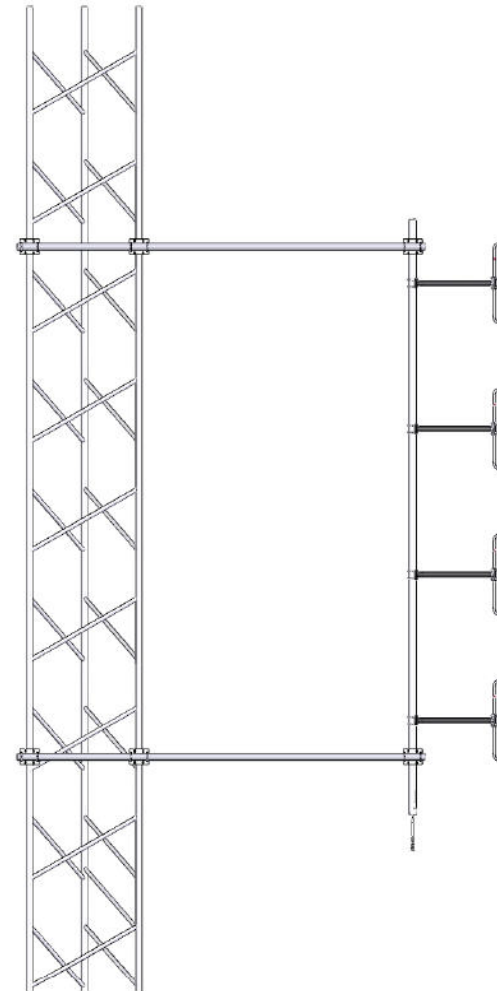
For the above mentioned series, there are two kits that can be recommended:

SMK-125-A3 or SMK-125-A7

## SMK-125-A3 vs. SMK-125-A7

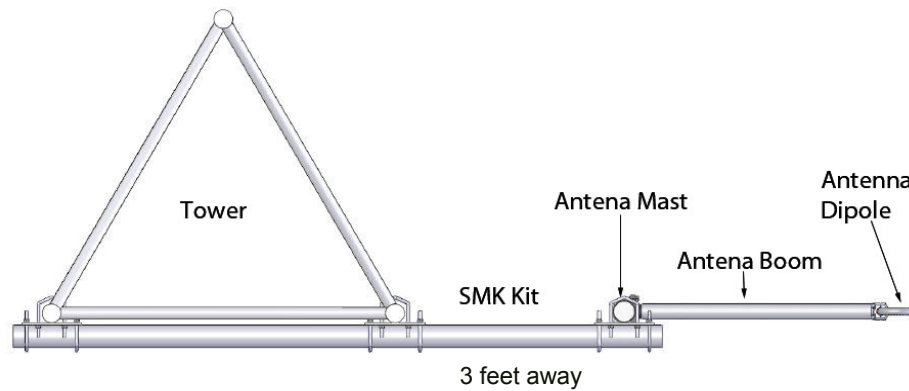


SMK-125-A3



SMK-125-A7

# SMK-125-A3 vs. SMK-125-A7



SMK-125-A3



SMK-125-A7

## SMK-125-A3 vs. SMK-125-A7

- Difference between the two is how far the antenna will be away from the tower.
- For the A3, it will be 3 feet away.
- For the A7, it will be 7 feet away.
- Both include a top and bottom support arm for the antenna
- Only for Exposed Dipole type of antenna

## Top View of Side Mount Kits- Continued

