



► Model SST3-MV

Remotely Selectable Electronic Siren

SST3-MV is an electronic siren capable of producing three different high decibel tones from the same unit.

The Model SST3-MV features internal amplification and the circuitry required to produce three different tones. The user activates each tone (wail, yelp or horn) with dry contacts from a remote point.

The NEMA 3R housing is molded from impact resistant ASA (acrylic-styrene acrylonitrile) plastic, making it resistant to ultra-violet light and ideal for indoor or outdoor use.

The omni-directional swivel mount system allows the output to be pointed anywhere within a 180° half-sphere.

The Model SST3-MV can be used as a stand-alone, high-output, audible warning device in any application where multiple tones are needed but voice paging is not required.

Typical applications include emergency warning, start and dismissal, fire alarm, general alarm and evacuation.

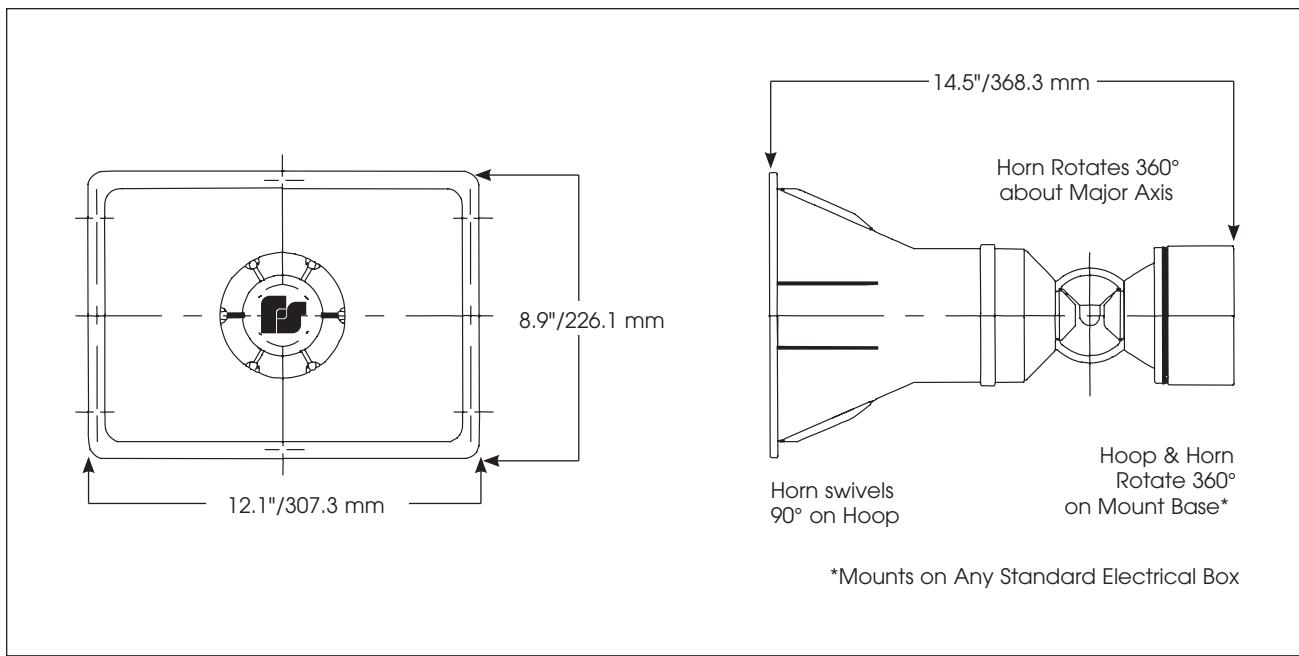
FEATURES

- Multi-voltage design accepts 24VDC and 120/240VAC
- Produces three tones –wail, yelp and horn
- Produces 107-111 dBa @ 10' (117-121 dBa @ 1m)
- Omni-directional swivel mount
- Indoor and outdoor use
- Type 3R enclosure (with WB back box)
- UL and cUL Listed

MODEL	VOLTAGE	OPERATING CURRENT
SST3-MV	24VDC	600 mA
	120VAC	210 mA
	240VAC	120 mA

TONE	DECIBELS	
	10'	1M
Wail	109.5	119.5
Yelp	111.0	121.0
Horn	107.0	117.0

Electronic Siren (SST3-MV)



SPECIFICATIONS

Operating Temperature:	-31°F to 151°F	-35°C to 66°C
Maximum Contact Resistance		1000 Ohms
Shipping Weight:	5.2 lbs	2.4 kg
Net Weight:	4.4 lbs	2.0 kg
Height:	8.9"	226.1 mm
Width:	12.1"	307.3 mm
Depth:	14.5"	368.3 mm

HOW TO ORDER

Specify Model:
SST3-MV – Electronic multi-voltage siren

OPTIONAL ACCESSORIES

Description	Part Number
Weatherproof Back Box	WB

REPLACEMENT PARTS

Description	Part Number
Connector, 4-Position	K140340B
Adapter (Gray)	K8476121A-04
PC Board Assembly	K2005110A
Gasket	K8476122A
Speaker Assembly	K8504002A