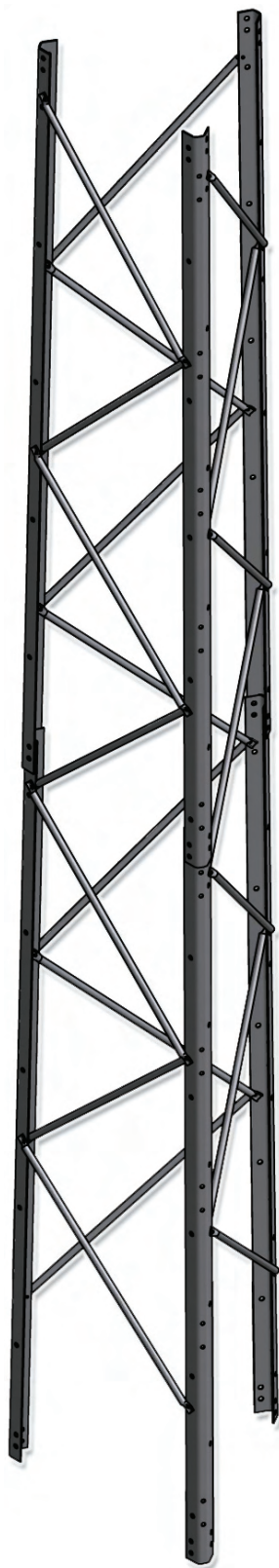




The all new, **RSL**
COMPLETELY REDESIGNED



broadcast | wireless | sports lighting | utility | wind | transportation



For more information, please visit our website: www.rohnnet.com

The all new RSL

COMPLETELY REDESIGNED

GENERAL USE

The ROHN RSL is a light weight self-supporting tower designed for use in broadband, public safety and security applications. The RSL reaches above line-of-site obstacles such as tree tops, hilly terrain and buildings. The RSL is shipped knocked down to reduce shipping cost and time.

FEATURES

- Available in heights from 20' up to 100'
- U-shaped legs allows for simple lap splice connection
- Available in standard and heavy models
- Pre-punched holes for attachment of safety climb systems, mounting kits, etc.
- Braces for each section are the same length, while bolt lengths are standard throughout the tower
- Tower material is hot-dip galvanized
- Assembly drawings provided with tower
- Top closing angle standard with each tower package

Optional items are available and may be ordered separately:

- Step Bolts
- Safety Climbing System*
- Top Post
- Anti-Climb Brackets
- Multiple Mounting Kits
- Grounding kit
- Top Plate
- Accessory Shelf
- Waveguide Brackets
- Lightning Rod

**Per Rev G requirements, any structure greater than 10' requires a climber safety device.*



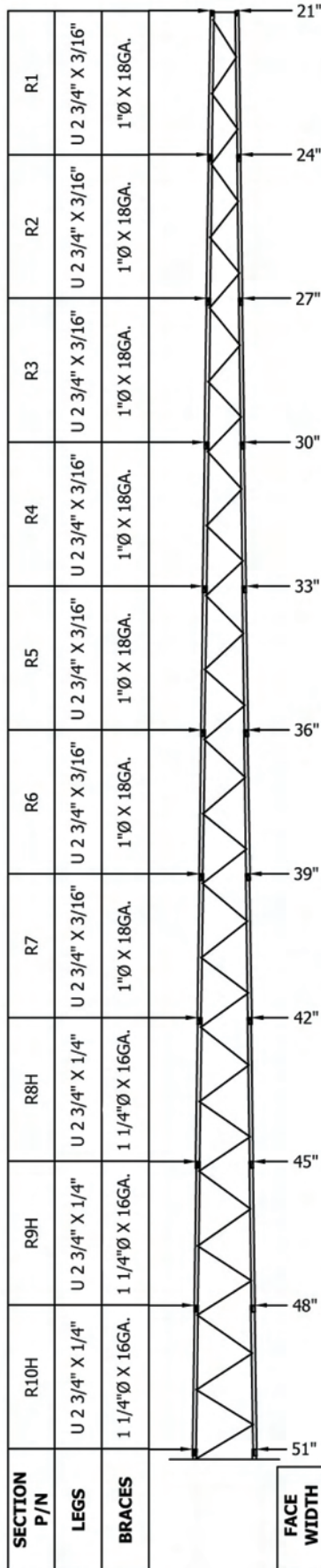
ORDERING INFO

1. Foundation bases must be ordered separately.
2. All accessories must be ordered separately including step bolt kits, safety climb systems, climbing harness with slider, grounding kits, lightning rods, top plate, top mast, mounting kits, W/G brackets, anti-climb assemblies, etc.
3. ROHN standard RSL tower kits are supplied with lock washers as nut locking devices. Pal nuts (P), anco nuts (A) and tri-loc nuts (T) are alternative nut locking devices that may be obtained by adding the indicated suffix to the standard RSL tower kit Part Number. (Note: nut locking devices are required in accordance with ANSI/TIA-222-G.) *Example: RSL 100L10A for Anco Nuts.*
4. All three tower legs in each section have provision to install step bolts and a safety climb system. When step bolts are desired, one step bolt kit must be ordered for each section of the tower. Increase the number of step bolt kits accordingly when step bolts are desired on more than one tower leg of a section.

DESIGN NOTES

1. The suitability of a ROHN standard RSL tower kit and standard foundation for a specific application must be verified by the purchaser based on site-specific data in accordance with the ANSI/TIA-222-G Standard. All users are solely responsible for the installation, use, maintenance, inspection and other work and the compliance with all local, state and federal requirements.
2. The allowable Effective Projected Areas (EPA) tabulated for the standard RSL tower kits represent the summation of the projected areas of all antennas, mounts and accessories multiplied by appropriate drag factors. The tabulated EPA values are in addition to the loading from a 3/8 inch diameter safety cable assumed to be mounted to each standard tower. The tabulated EPA values are for a no-ice condition. For design purposes, the tabulated EPA values have been increased 75% when investigating extreme ice loading conditions.
3. The tabulated EPA values apply to towers located on sites with level grade (ANSI/TIA-222-G Topographic Category 1). Lower EPA values than tabulated would apply for roof mounted towers or for towers located on sites with unusual terrain. Contact ROHN for site-specific design limitations.
4. The RSL standard designs are based on one 1/2 inch transmission line for each 10 square feet of EPA up to a maximum of 6 lines unless otherwise noted. All lines are assumed to be symmetrically mounted on the tower faces adjacent to a leg.
5. The total weight of all antennas and mounts associated with the tabulated EPA values is assumed to equal 500 pounds for the no-ice condition and 1000 pounds for the extreme ice condition.
6. The tabulated EPA values assume the associated antennas and appurtenances are symmetrically mounted unless otherwise noted. Eccentric loading may increase member forces and may require a reduction of the tabulated EPA values. Mounting arrangements are assumed to be appropriate for the supporting members utilized. Contact ROHN if assistance is needed in determining the adequacy of a specific RSL tower kit for site-specific loading conditions.
7. The RSL standard top mast is designed to support a maximum EPA of 5 square feet with 100 pounds vertical load. Other optional top mounts are available upon request. All other loading is assumed to be mounted to the tower below the top mast.
8. The standard RSL tower kits that include dish loading criteria meet ANSI/TIA-222-G twist and sway requirements for a 6 GHz dish frequency. All dishes are assumed to be face mounted. Contact ROHN for assistance with higher frequency or other mounting arrangement applications.





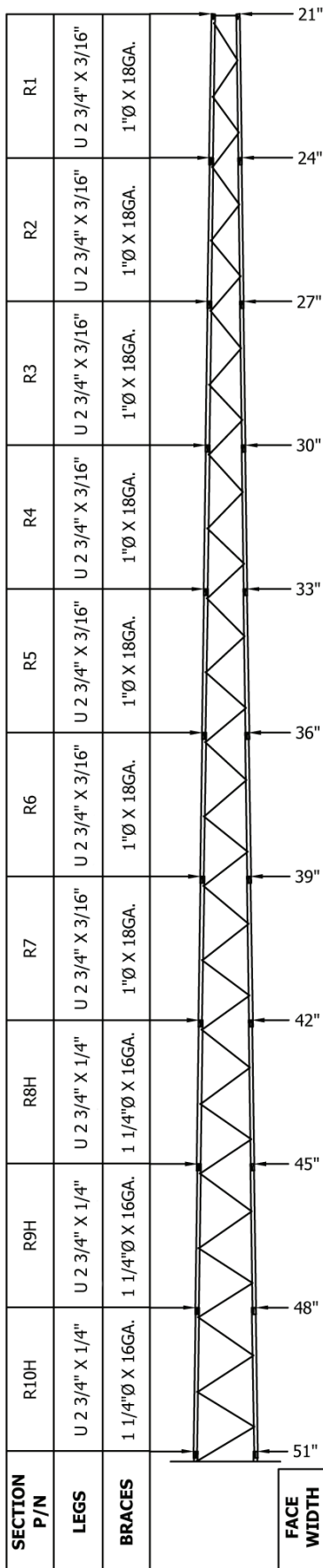
| RSL TOWER DESIGN LOADING ACCORDING TO ANSI/TIA-222-G | | | | | | | | |
|---|------------|---------------|---|-----|-----|-----|-----|-----|
| STRUCTURE CLASSIFICATION = I | | | | | | | | |
| EXPOSURE CATEGORY = B | | | | | | | | |
| TOPOGRAPHIC CATEGORY = 1 | | | | | | | | |
| RSL-D01 R4 | | | | | | | | |
| HEIGHT (FT) | SECTIONS | TOWER KIT P/N | ALLOWABLE EFFECTIVE PROJECTED AREA (FT ²) | | | | | |
| | | | 3-SECOND GUST WIND SPEED (MPH) | | | | | |
| | | | 90 | 100 | 110 | 120 | 130 | 140 |
| 100 | R1 - R10H | RSL100L10 | 25 | 11 | - | - | - | - |
| | R1 - R9H | RSL90L19 | 31 | 20 | 10 | - | - | - |
| 90 | R2 - R10H | RSL90L20 | 39 | 23 | 12 | 4 | - | - |
| | R1 - R8H | RSL80L18 | 34 | 21 | 12 | 4 | - | - |
| 80 | R2 - R9H | RSL80L29 | 49 | 34 | 22 | 10 | - | - |
| | R3 - R10H | RSL80L30 | 56 | 38 | 25 | 14 | 4 | - |
| | R1 - R7 | RSL70L17 | 40 | 27 | 17 | 9 | - | - |
| 70 | R2 - R8H | RSL70L28 | 52 | 37 | 25 | 13 | - | - |
| | R3 - R9H | RSL70L39 | 74 | 52 | 32 | 19 | 8 | - |
| | R4 - R10H | RSL70L40 | 80 | 56 | 38 | 24 | 13 | 5 |
| | R1 - R6 | RSL60L16 | 59 | 42 | 30 | 21 | 12 | - |
| 60 | R4 - R9H | RSL60L49 | 80 | 62 | 42 | 28 | 17 | 9 |
| | R5 - R10H | RSL60L50 | 80 | 67 | 48 | 34 | 24 | 15 |
| | R1 - R5 | RSL50L15 | 80 | 60 | 45 | 34 | 26 | 19 |
| 50 | R5 - R9H | RSL50L59 | 80 | 73 | 53 | 38 | 27 | 19 |
| | R6 - R10H | RSL50L60 | 80 | 78 | 59 | 45 | 35 | 27 |
| | R1 - R4 | RSL40L14 | 80 | 80 | 67 | 52 | 42 | 31 |
| 40 | R7 - R10H | RSL40L70 | 80 | 80 | 72 | 58 | 48 | 39 |
| | R1 - R3 | RSL30L13 | 80 | 80 | 80 | 71 | 57 | 45 |
| 30 | R8H - R10H | RSL30H80 | 80 | 80 | 80 | 80 | 80 | 80 |
| | R1 - R2 | RSL20L12 | 80 | 80 | 80 | 71 | 60 | 49 |
| 20 | R9H - R10H | RSL20H90 | 80 | 80 | 80 | 80 | 80 | 80 |

The tabulated allowable effective projected areas (EPA) are limited to a maximum recommended value of 80 (ft²). EPA values shown as "-" indicate tower kit is not applicable for the corresponding wind speed.

Site-specific designs are available upon request.

TUBE BRACING
CLASS I LOADING





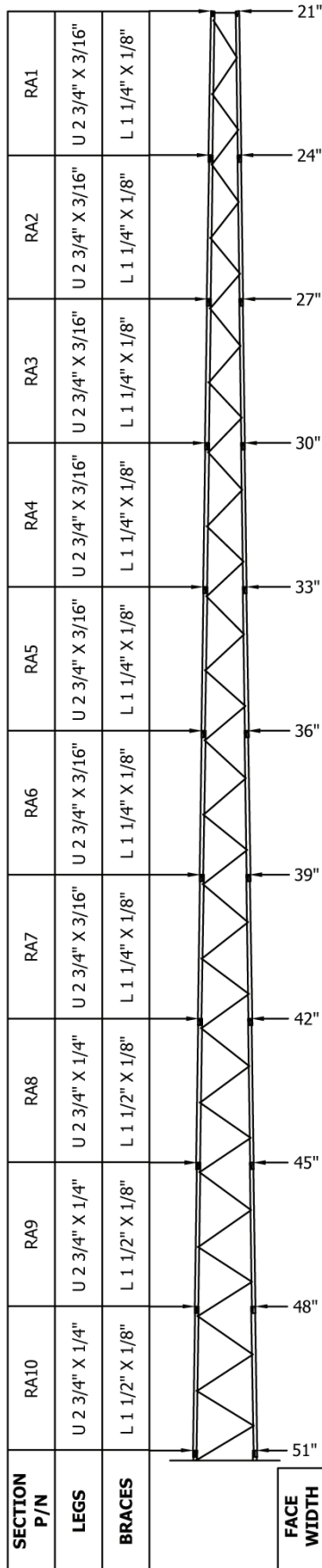
| RSL TOWER DESIGN LOADING ACCORDING TO ANSI/TIA-222-G | | | | | | | | |
|---|------------|---------------|---|-----|-----|-----|-----|-----|
| STRUCTURE CLASSIFICATION = II EXPOSURE CATEGORY = C TOPOGRAPHIC CATEGORY = 1 3-SECOND GUST WIND SPEED WITH ICE = 40 MPH DESIGN ICE THICKNESS = 1.0" EARTHQUAKE SPECTRAL RESPONSE ACCELERATION, S _s = 2.50 RSL-D02 R3 | | | | | | | | |
| HEIGHT (FT) | SECTIONS | TOWER KIT P/N | ALLOWABLE EFFECTIVE PROJECTED AREA (FT ²) | | | | | |
| | | | 3-SECOND GUST WIND SPEED WITHOUT ICE (MPH) | | | | | |
| | | | 90 | 100 | 110 | 120 | 130 | 140 |
| 90 | R1 - R9H | RSL90L19 | 10 | - | - | - | - | - |
| | R2 - R10H | RSL90L20 | 11 | - | - | - | - | - |
| 80 | R1 - R8H | RSL80L18 | 11 | - | - | - | - | - |
| | R2 - R9H | RSL80L29 | 21 | 4 | - | - | - | - |
| | R3 - R10H | RSL80L30 | 24 | 10 | - | - | - | - |
| 70 | R1 - R7 | RSL70L17 | 15 | 6 | - | - | - | - |
| | R2 - R8H | RSL70L28 | 24 | 10 | - | - | - | - |
| | R3 - R9H | RSL70L39 | 30 | 12 | - | - | - | - |
| | R4 - R10H | RSL70L40 | 35 | 20 | 8 | - | - | - |
| 60 | R1 - R6 | RSL60L16 | 29 | 18 | 8 | - | - | - |
| | R4 - R9H | RSL60L49 | 39 | 22 | 10 | - | - | - |
| | R5 - R10H | RSL60L50 | 45 | 30 | 18 | 9 | - | - |
| 50 | R1 - R5 | RSL50L15 | 43 | 30 | 20 | 10 | - | - |
| | R5 - R9H | RSL50L59 | 49 | 32 | 20 | 11 | 4 | - |
| | R6 - R10H | RSL50L60 | 56 | 40 | 29 | 20 | 13 | 8 |
| 40 | R1 - R4 | RSL40L14 | 62 | 47 | 35 | 24 | 14 | 7 |
| | R7 - R10H | RSL40L70 | 67 | 52 | 40 | 32 | 25 | 20 |
| 30 | R1 - R3 | RSL30L13 | 79 | 63 | 48 | 36 | 27 | 19 |
| | R8H - R10H | RSL30H80 | 80 | 80 | 80 | 73 | 56 | 43 |
| 20 | R1 - R2 | RSL20L12 | 80 | 69 | 57 | 45 | 36 | 29 |
| | R9H - R10H | RSL20H90 | 80 | 80 | 80 | 80 | 73 | 59 |

The tabulated allowable effective projected areas (EPA) are limited to a maximum recommended value of 80 (ft²). EPA values shown as " - " indicate tower kit is not applicable for the corresponding wind speed.

Site-specific designs are available upon request.

TUBE BRACING
CLASS II LOADING





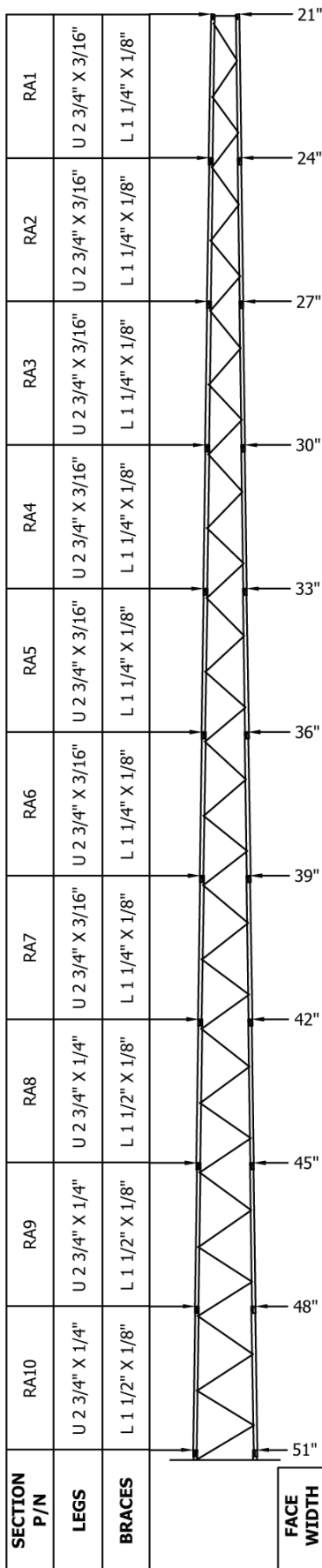
| RSL TOWER DESIGN LOADING ACCORDING TO ANSI/TIA-222-G | | | | | | | | |
|---|------------|---------------|---|-----|-----|-----|-----|-----|
| STRUCTURE CLASSIFICATION = I | | | | | | | | |
| EXPOSURE CATEGORY = B | | | | | | | | |
| TOPOGRAPHIC CATEGORY = 1 | | | | | | | | |
| RSL-D03 R2 | | | | | | | | |
| HEIGHT (FT) | SECTIONS | TOWER KIT P/N | ALLOWABLE EFFECTIVE PROJECTED AREA (FT ²) | | | | | |
| | | | 3-SECOND GUST WIND SPEED (MPH) | | | | | |
| | | | 90 | 100 | 110 | 120 | 130 | 140 |
| 100 | RA1 - RA10 | RSL100A10 | 20 | 9 | - | - | - | - |
| | RA1 - RA9 | RSL90A19 | 30 | 17 | 7 | - | - | - |
| 90 | RA2 - RA10 | RSL90A20 | 35 | 20 | 9 | - | - | - |
| | RA1 - RA8 | RSL80A18 | 31 | 20 | 9 | - | - | - |
| 80 | RA2 - RA9 | RSL80A29 | 47 | 31 | 20 | 9 | - | - |
| | RA3 - RA10 | RSL80A30 | 52 | 34 | 21 | 11 | - | - |
| | RA1 - RA7 | RSL70A17 | 38 | 24 | 13 | 5 | - | - |
| 70 | RA2 - RA8 | RSL70A28 | 50 | 34 | 23 | 12 | - | - |
| | RA3 - RA9 | RSL70A39 | 71 | 50 | 34 | 19 | 6 | - |
| | RA4 - RA10 | RSL70A40 | 77 | 53 | 38 | 25 | 11 | - |
| | RA1 - RA6 | RSL60A16 | 57 | 40 | 29 | 18 | - | - |
| 60 | RA4 - RA9 | RSL60A49 | 80 | 67 | 45 | 30 | 17 | 7 |
| | RA5 - RA10 | RSL60A50 | 80 | 71 | 51 | 36 | 23 | 9 |
| | RA1 - RA5 | RSL50A15 | 79 | 58 | 44 | 33 | 24 | 17 |
| 50 | RA5 - RA9 | RSL50A59 | 80 | 78 | 56 | 40 | 29 | 19 |
| | RA6 - RA10 | RSL50A60 | 80 | 80 | 64 | 49 | 34 | 20 |
| | RA1 - RA4 | RSL40A14 | 80 | 80 | 65 | 51 | 40 | 32 |
| 40 | RA7 - RA10 | RSL40A70 | 80 | 80 | 78 | 63 | 48 | 33 |
| | RA1 - RA3 | RSL30A13 | 80 | 80 | 80 | 80 | 66 | 54 |
| 30 | RA8 - RA10 | RSL30A80 | 80 | 80 | 80 | 80 | 64 | 49 |
| | RA1 - RA2 | RSL20A12 | 80 | 80 | 80 | 80 | 80 | 69 |
| 20 | RA9 - RA10 | RSL20A90 | 80 | 80 | 80 | 80 | 77 | 62 |

The tabulated allowable effective projected areas (EPA) are limited to a maximum recommended value of 80 (ft²). EPA values shown as "-" indicate tower kit is not applicable for the corresponding wind speed.

Site-specific designs are available upon request.

ANGLE BRACING
CLASS I LOADING





| RSL TOWER DESIGN LOADING ACCORDING TO ANSI/TIA-222-G | | | | | | | | |
|--|------------|---------------|---|-----|-----|-----|-----|-----|
| STRUCTURE CLASSIFICATION = II EXPOSURE CATEGORY = C TOPOGRAPHIC CATEGORY = 1 3-SECOND GUST WIND SPEED WITH ICE = 40 MPH DESIGN ICE THICKNESS = 1.0" EARTHQUAKE SPECTRAL RESPONSE ACCELERATION, $S_s = 2.50$ RSL-D04 R2 | | | | | | | | |
| HEIGHT (FT) | SECTIONS | TOWER KIT P/N | ALLOWABLE EFFECTIVE PROJECTED AREA (FT ²) 3-SECOND GUST WIND SPEED WITHOUT ICE (MPH) | | | | | |
| | | | 90 | 100 | 110 | 120 | 130 | 140 |
| 90 | RA1 - RA9 | RSL90A19 | 6 | - | - | - | - | - |
| | RA2 - RA10 | RSL90A20 | 8 | - | - | - | - | - |
| 80 | RA1 - RA8 | RSL80A18 | 8 | - | - | - | - | - |
| | RA2 - RA9 | RSL80A29 | 19 | - | - | - | - | - |
| | RA3 - RA10 | RSL80A30 | 20 | 9 | - | - | - | - |
| 70 | RA1 - RA7 | RSL70A17 | 12 | - | - | - | - | - |
| | RA2 - RA8 | RSL70A28 | 21 | 7 | - | - | - | - |
| | RA3 - RA9 | RSL70A39 | 30 | 12 | - | - | - | - |
| | RA4 - RA10 | RSL70A40 | 36 | 20 | - | - | - | - |
| 60 | RA1 - RA6 | RSL60A16 | 26 | 14 | - | - | - | - |
| | RA4 - RA9 | RSL60A49 | 40 | 23 | 10 | - | - | - |
| | RA5 - RA10 | RSL60A50 | 48 | 30 | 15 | - | - | - |
| 50 | RA1 - RA5 | RSL50A15 | 41 | 29 | 19 | 11 | - | - |
| | RA5 - RA9 | RSL50A59 | 52 | 34 | 21 | 11 | - | - |
| | RA6 - RA10 | RSL50A60 | 60 | 42 | 27 | 11 | - | - |
| 40 | RA1 - RA4 | RSL40A14 | 61 | 45 | 34 | 25 | 19 | 10 |
| | RA7 - RA10 | RSL40A70 | 73 | 56 | 39 | 25 | 13 | - |
| 30 | RA1 - RA3 | RSL30A13 | 80 | 72 | 56 | 45 | 35 | 26 |
| | RA8 - RA10 | RSL30A80 | 80 | 75 | 54 | 38 | 27 | 18 |
| 20 | RA1 - RA2 | RSL20A12 | 80 | 80 | 78 | 62 | 50 | 40 |
| | RA9 - RA10 | RSL20A90 | 80 | 80 | 72 | 56 | 43 | 33 |

The tabulated allowable effective projected areas (EPA) are limited to a maximum recommended value of 80 (ft²). EPA values shown as " - " indicate tower kit is not applicable for the corresponding wind speed.

Site-specific designs are available upon request.

ANGLE BRACING
CLASS II LOADING

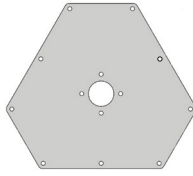


OPTIONAL ACCESSORIES

TOP PLATE KIT

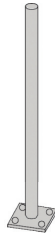
RTP12 RTP07
RTP34 RTP08
RTP56 RTP09

Mounts to top closing angles provided with tower kit. Hole pattern fits TB3 and TB4 thrust bearings. Kit includes plate and attachment hardware.



TOP MAST KIT

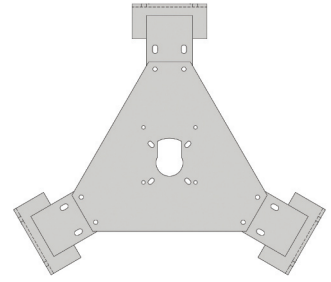
RSLTMA
2.38" O.D. x 0.154" wall x 3' mast mounts to top plate kit. Top plate kit *must be ordered separately*.



ACCESSORY SHELF

RASK12
RASK34
RASK05

Mounts to tower legs at approximately 4' - 6" below top. Kit includes plate and attachment hardware. *Top plate, if required, must be ordered separately.*



LEG MOUNT

RSLM-DLM

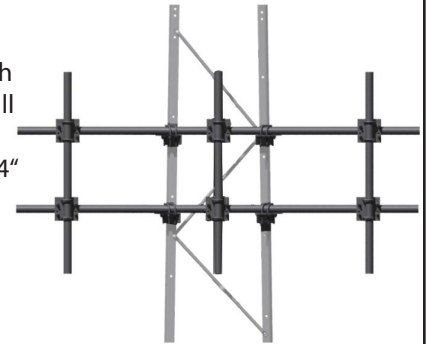
Mounting pipe: 2.38" O.D. x 0.154" wall x 5' long mounting pipe.



FRAME MOUNT

RSLM-3FM

10' Frame mount with 1.90" O.D. x 0.145" wall x 10' horizontal pipe with 2.38" O.D. x 0.154" wall x 5' mounting pipes.



FACE MOUNT

RSLM-DFML

Face Mount with 2.38" O.D. x 0.154" wall x 5' long mounting pipe.

RSLM-DFMH

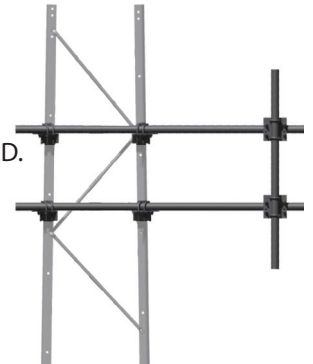
Face Mount with 4.5" O.D. x 0.237" wall x 5' mounting pipe.



SIDE ARM MOUNT

RSLM-3SA

3' Side Arm Mount with 1.90" O.D. x 0.145" wall x 8' horizontal pipe and 2.38" O.D. x 0.154" wall x 5' mounting pipe.



SINGLE ARM MOUNT

RSLM-SAM

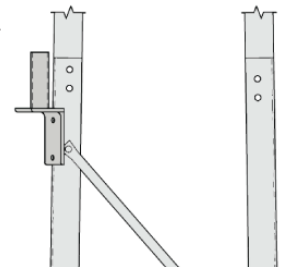
3' single arm with 1.50" O.D. x 0.120" wall x 10' horizontal pipe.



LEG MOUNTED BRACKET

RSLM-LMB

Leg mounted bracket with a 1.90" O.D. x 0.154" wall x 6" mounting post.



Please refer to page 9 to find the appropriate accessory for your tower model.

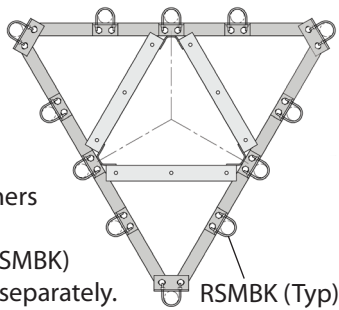


OPTIONAL ACCESSORIES

SECTOR MOUNT

RSM1 RSM3
RSM2 RSM4

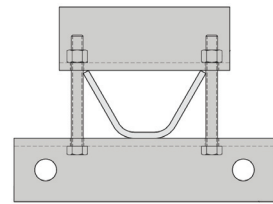
Mount can accommodate up to (12) 5' mounting pipes. Brackets and U-bolts at corners are provided with this kit. Additional mounting kits (RSMBK) and pipes must be ordered separately.



TIE BACK ASSEMBLY

RSLTBA

Dish tie back bracket. Clamps to a leg at any location. Includes (1) bracket with required mounting hardware.



LIGHTNING ROD

LRCL

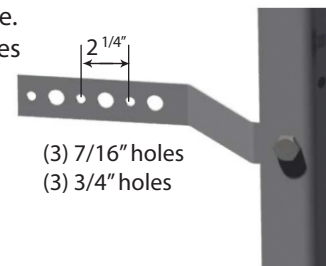
5' Copper clad, mounts to top closing angles.



WAVEGUIDE BRACKETS

RSWGB

Includes (1) 3-hole bracket with required mounting hardware. Mounts to pre-punched holes in leg.



CLIMBING HARNESS

TTFBH-4D (Journeyman Harness)
TTFBH-C/P (Professional Harness)



SAFETY CABLE SLIDER WITH CARABINEER

TT-WG-500-W/SMC



STEP BOLT KIT

RSLSTEP

One kit consists of (10) 5/8" x 7" steps for one 10' tower section. Order one kit for each section of tower for step bolts on one leg.

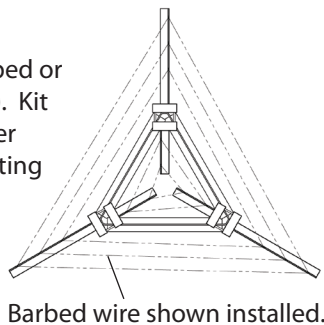
SAFETY CABLE SYSTEMS

| Tower Height | Part Number |
|--------------|-------------|
| 20' - 50' | TTRSL50 |
| 60' - 100' | TTRSL100 |

ANTI-CLIMB BRACKETS

RACW

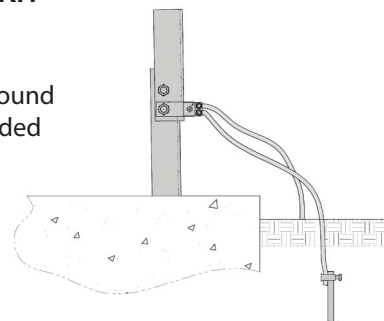
Brackets to be used with barbed or razor wire (wire not included). Kit includes (3) outer and (3) inner brackets with required mounting hardware.



RSL GROUNDING KIT

RGKG

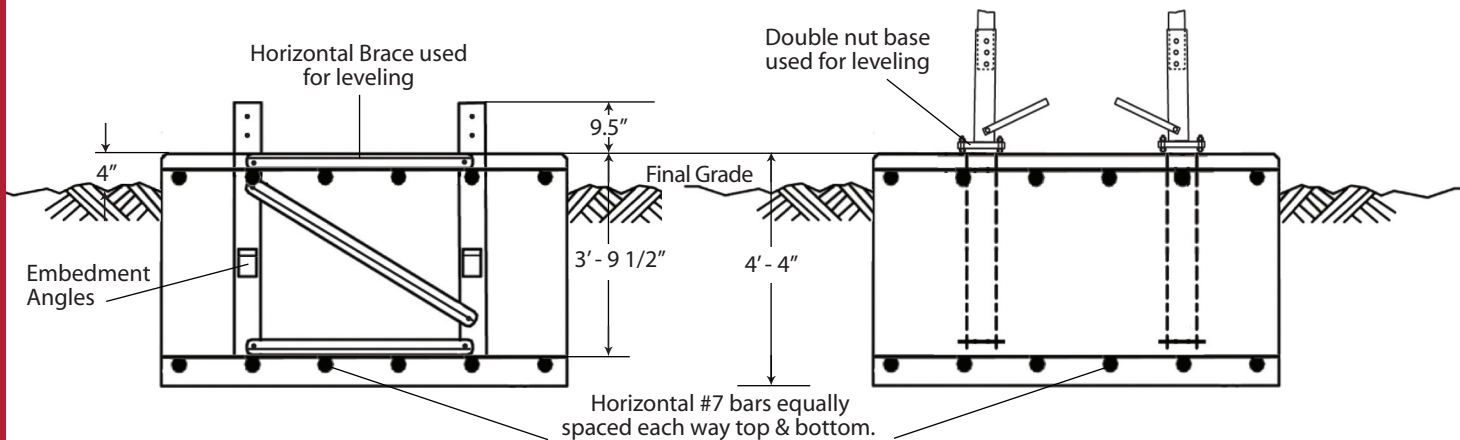
Grounding kit, per Rev. G, (6) 5/8" x 10' ground rods, 7/16" IWRC stranded galvanized ground leads and clamps.



Please refer to page 9 to find the appropriate accessory for your tower model.

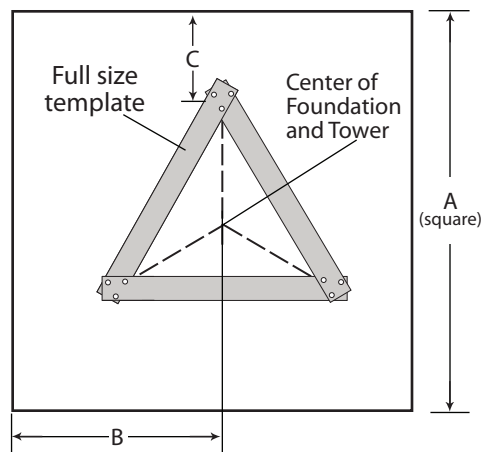
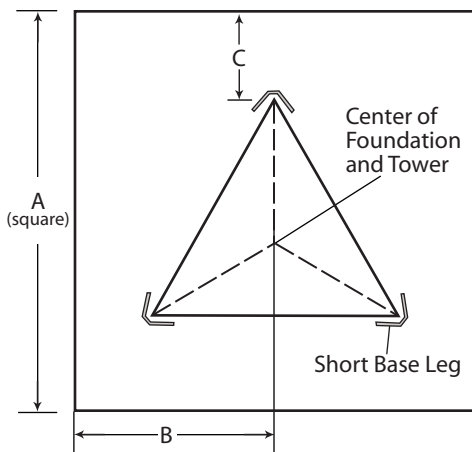


FOUNDATION INFORMATION



SHORT BASE

ANCHOR BASE



Anchor base option includes: full-size template, anchor bolt lower template, anchor bolts and leg stubs.

SHORT BASE
(Ordered separately from tower)

STANDARD FOUNDATION INFORMATION
(Used with short base and anchor base options)

ANCHOR BASE
(Ordered separately from tower)

| Short Base Section |
|--------------------|
| RSB02 |
| RSB03 |
| RSB04 |
| RSB05 |
| RSB06 |
| RSB07 |
| RSB08 |
| RSB09 |
| RSB10 |

| Tower Base Section | Dimensions | | | Concrete (Cu. Yds) | No. 7 Bars Req. |
|--------------------|------------|--------------|---------|--------------------|-----------------|
| | A | B | C | | |
| 2 | 7' - 6" | 3' - 9" | 2' - 5" | 9.0 | 32 |
| 3 | 7' - 9" | 3' - 10 1/2" | 2' - 5" | 9.6 | 40 |
| 4 | 8' - 0" | 4' - 0" | 2' - 5" | 10.3 | 40 |
| 5 | 8' - 3" | 4' - 1 1/2" | 2' - 5" | 10.9 | 40 |
| 6 | 8' - 6" | 4' - 3" | 2' - 4" | 11.6 | 40 |
| 7 | 8' - 6" | 4' - 3" | 2' - 3" | 11.6 | 40 |
| 8 | 9' - 6" | 4' - 9" | 2' - 7" | 14.5 | 40 |
| 9 | 9' - 9" | 4' - 10 1/2" | 2' - 7" | 15.3 | 48 |
| 10 | 10' - 0" | 5' - 0" | 2' - 7" | 16.0 | 48 |

| Leg Stubs & Anchors |
|---------------------|
| RAL02 |
| RAL03 |
| RAL04 |
| RAL05 |
| RAL06 |
| RAL07 |
| RAL08 |
| RAL09 |
| RAL10 |

Standard foundations illustrated are for general information purposes only. Actual details are provided with tower assembly drawings.



OPTIONAL ITEMS MUST BE ORDERED SEPARATELY

| TOWER HEIGHT | RSL SECTION REFERENCE | TOP PLATE KIT | ACCESSORY SHELF | SECTOR MOUNT KIT | SHORT BASE KIT | ANCHOR BASE KIT | STEP BOLT KIT (ONE LEG) | SAFETY CABLE KIT |
|--------------|-----------------------|---------------|-----------------|------------------|----------------|-----------------|-------------------------|------------------|
| 100' | 1-10 | RTP12 | RASK12 | RSM1 | RSB10 | RAL10 | (10) RSLSTEP | TTRSL100 |
| 90' | 1-9 | RTP12 | RASK12 | RSM1 | RSB09 | RAL09 | (9) RSLSTEP | TTRSL100 |
| | 2-10 | RTP12 | RASK12 | RSM2 | RSB10 | RAL10 | | |
| 80' | 1-8 | RTP12 | RASK12 | RSM1 | RSB08 | RAL08 | (8) RSLSTEP | TTRSL100 |
| | 2-9 | RTP12 | RASK12 | RSM2 | RSB09 | RAL09 | | |
| | 3-10 | RTP34 | RASK34 | RSM3 | RSB10 | RAL10 | | |
| 70' | 1-7 | RTP12 | RASK12 | RSM1 | RSB07 | RAL07 | (7) RSLSTEP | TTRSL100 |
| | 2-8 | RTP12 | RASK12 | RSM2 | RSB08 | RAL08 | | |
| | 3-9 | RTP34 | RASK34 | RSM3 | RSB09 | RAL09 | | |
| | 4-10 | RTP34 | RASK34 | RSM4 | RSB10 | RAL10 | | |
| 60' | 1-6 | RTP12 | RASK12 | RSM1 | RSB06 | RAL06 | (6) RSLSTEP | TTRSL100 |
| | 4-9 | RTP34 | RASK34 | RSM4 | RSB09 | RAL09 | | |
| | 5-10 | RTP56 | RASK05 | N/A | RSB10 | RAL10 | | |
| 50' | 1-5 | RTP12 | RASK12 | RSM1 | RSB05 | RAL05 | (5) RSLSTEP | TTRSL50 |
| | 5-9 | RTP56 | RASK05 | N/A | RSB09 | RAL09 | | |
| | 6-10 | RTP56 | N/A | N/A | RSB10 | RAL10 | | |
| 40' | 1-4 | RTP12 | RASK12 | RSM1 | RSB04 | RAL04 | (4) RSLSTEP | TTRSL50 |
| | 7-10 | RTP07 | N/A | N/A | RSB10 | RAL10 | | |
| 30' | 1-3 | RTP12 | RASK12 | RSM1 | RSB03 | RAL03 | (3) RSLSTEP | TTRSL50 |
| | 8-10 | RTP08 | N/A | N/A | RSB10 | RAL10 | | |
| 20' | 1-2 | RTP12 | RASK12 | RSM1 | RSB02 | RAL02 | (2) RSLSTEP | TTRSL50 |
| | 9-10 | RTP09 | N/A | N/A | RSB10 | RAL10 | | |

RSLAKITS R2

ROHN standard RSL tower kits are supplied with lock washers as nut locking devices. Pal nuts (P), ANCO nuts (A) and Tri-Loc nuts (T) are alternative nut locking devices that may be obtained by adding the indicated suffix to the standard RSL tower kit part number. *Nut locking devices are required in accordance with ANSI/TIA-222-G.*

RSL

SELF-SUPPORTING TOWERS



ROHN™

Products LLC



Manufacturing Locations:

6800 W. Plank Road
Peoria, IL 61604

#1 Fairholm Avenue
Peoria, IL 61603

www.rohnnet.com

Mail To:

PO Box 5999
Peoria, IL 61601-5999

Phone: (800) 727-ROHN(7646)