



User Manual

CA400

Release Date: 2024/1/23

Directory

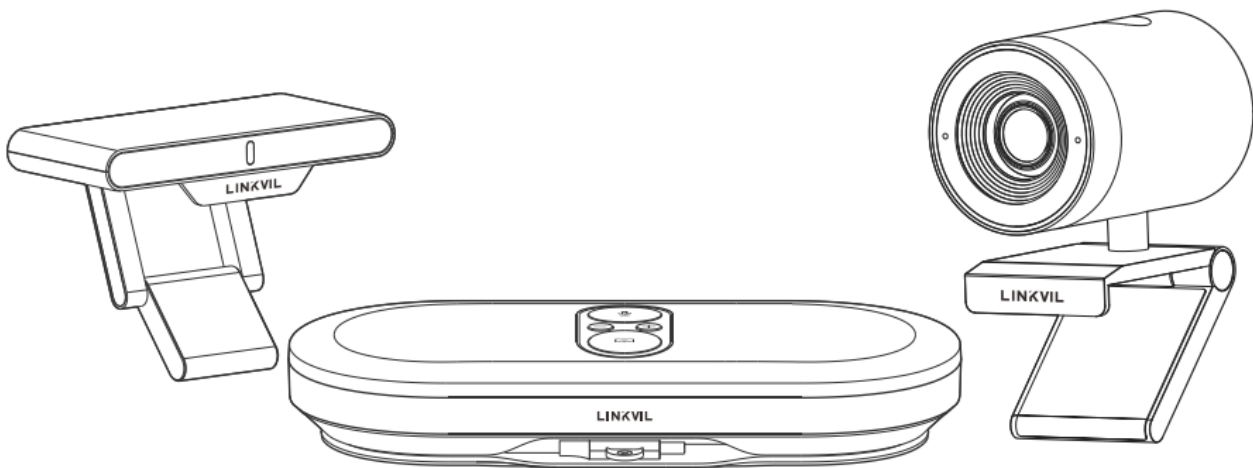
1	Introduction	3
2	Packing	4
3	Instructions	5
3.1	CM70	5
3.1.1	Camera Overview.....	5
3.1.2	Keys &LED Indicator	6
3.1.3	Privacy Cover.....	6
3.1.4	Connection	7
3.2	MS10.....	7
3.2.1	LED Indicator.....	7
3.2.2	Screen casting LED Indicator.....	8
3.3	RC10	8
3.3.1	Receiver LED Indicator	9
3.4	Remote control.....	9
3.4.1	Remote control Overview	9
3.4.2	LED indication	10
4	Installation Guidelines	11
5	FAQ	14
6	Safe Usage Guidelines for Products	17

1 Introduction

This is a wireless video conferencing solution designed specifically for small and medium-sized conference rooms. It mainly consists of a screen-sharing speakerphone MS10, a receiver hub RC10, and a 4K UHD camera CM70, aiming to simplify your meetings.

With comprehensive BYOD support, it is easy to connect a laptop to the speaker MS10 using a Type C cable. Enjoy 4K wireless low latency screen projection and 1080p conference camera streaming access without the need for additional software or drivers.

It uses wireless projection screen and wireless camera call, simplifying your meeting experience, making the office space simple and orderly, equipped in one station, and installed in three steps, achieving an efficient meeting experience.



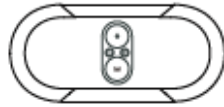
Features:

- Get rid of tedious steps, simply press and share content instantly, promoting seamless collaboration.
- Wireless and low latency 4K ultra high-definition projection screen.
- The collaborative space is simple and free of clutter, allowing for wireless access to cameras.
- The newly created wireless projection screen and microphone speaker functions are integrated into one.
- 8-array microphone with AI sound optimization function, supporting AEC/ANS/AGC.
- 3W voice enhanced speaker, providing a full and delicate voice for immersive participation.
- The camera automatically views, with a wide-angle coverage of 118.5 ° and a 5x digital zoom, presenting clear details.

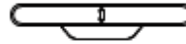
2 Packing



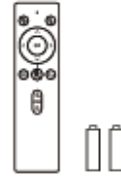
USB Camera
CM70



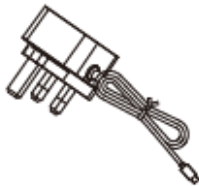
Speakerphone
MS10



Receiver
RC10



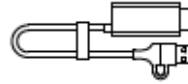
Remote Control
Battery x2



Power Adapter



HDMI Cable



USB-C to HDMI &
USB-A/C Adapter



USB Extension Cable



USB Cable
(Type C-A)

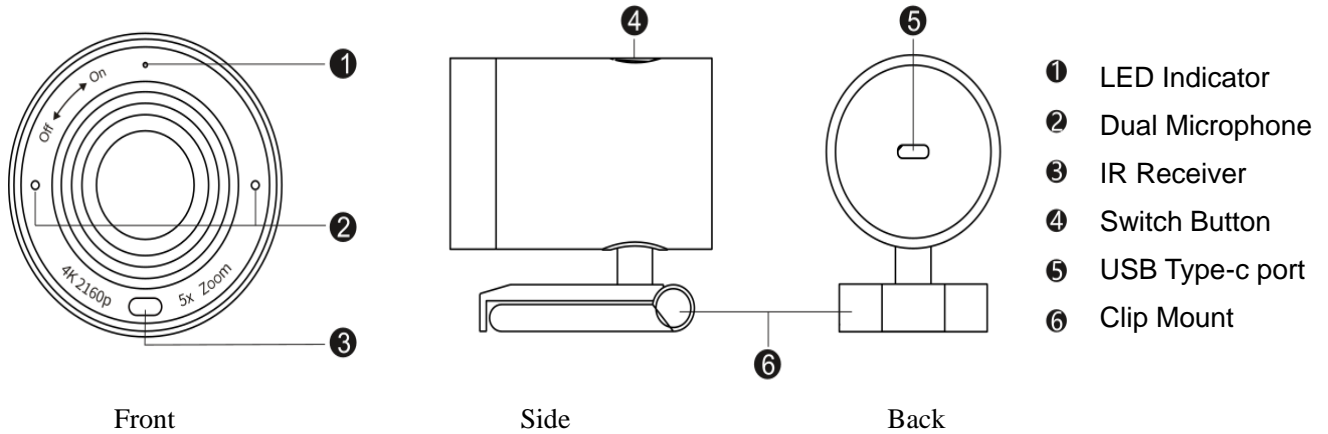


Quick
Start Guide

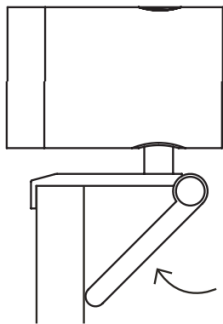
3 Instructions

3.1 CM70

3.1.1 Camera Overview

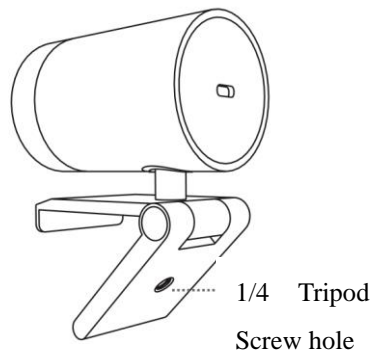


Clip Mount



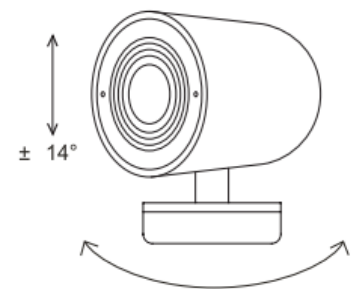
Easily mount onto any displays such as laptop monitor television or interactive display using its built-in clip mount.

Tripod Mount



Tripod screw hole is located at the bottom of the clip mount for tripod mounting.

Swivel & Tilt

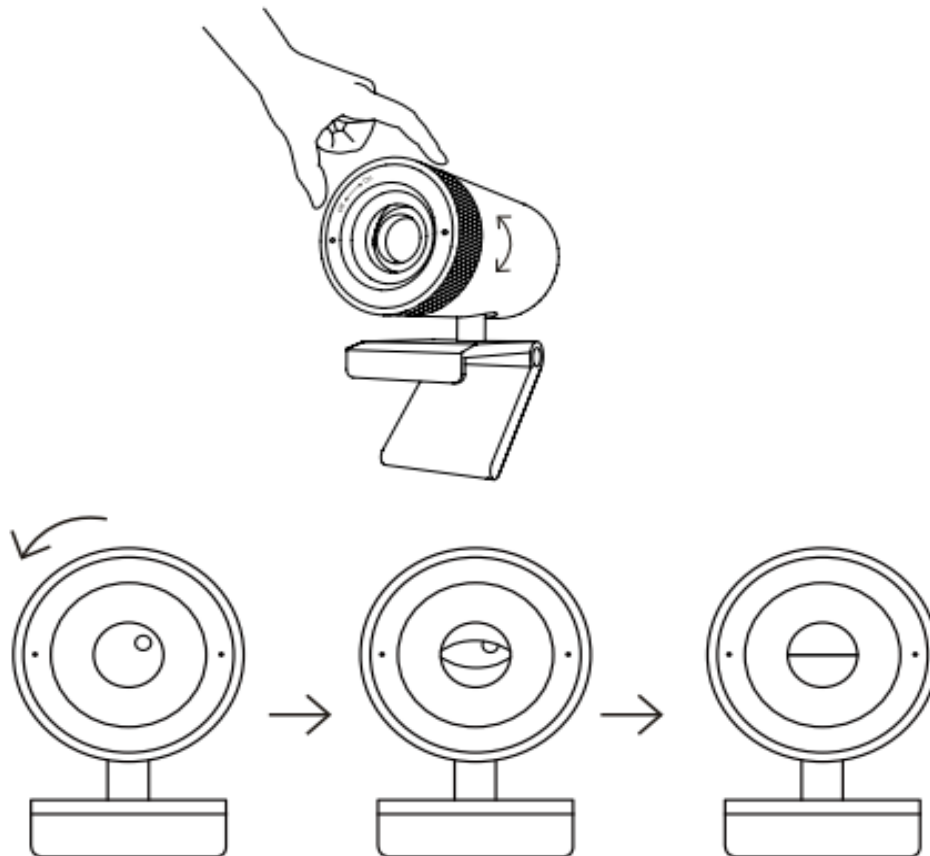


Manually adjust the webcam tilt up/down or swivel right/left to the best shooting angle.

3.1.2 Keys & LED Indicator

	Event	Camera response	LED Status
1	Plug-in power	/	Red light & orange light flashing
2	Camera is in use	/	Green light
3	Camera is not in use	/	Red light
4	Single press the switch button	Switch to 1x→2x→3x→4x→5x→auto framing by each press	Red light blink
5	Long press(>2s) the switch button	Enter / Exit auto framing mode	Red light blink
6	Long press(>5s) the switch button	Reboot the CM70	Red light blink

3.1.3 Privacy Cover

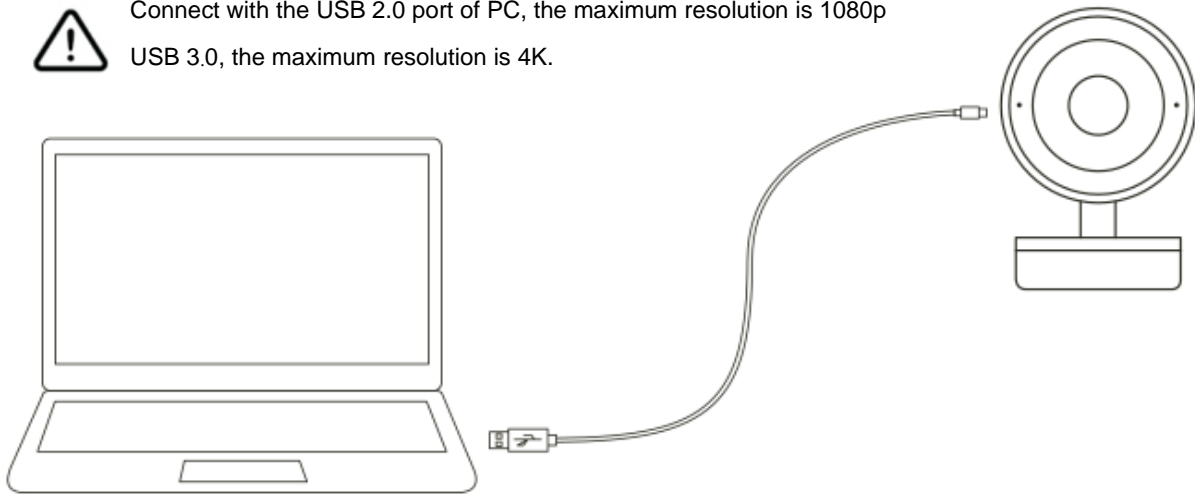


3.1.4 Connection

- (1) Connect the type C end of the bundled USB 3.0 cable to the Type C port at the back of the USB Camera.
- (2) Connect the Type A end of the same cable to a laptop or workstation.

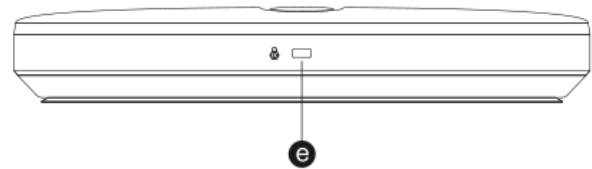
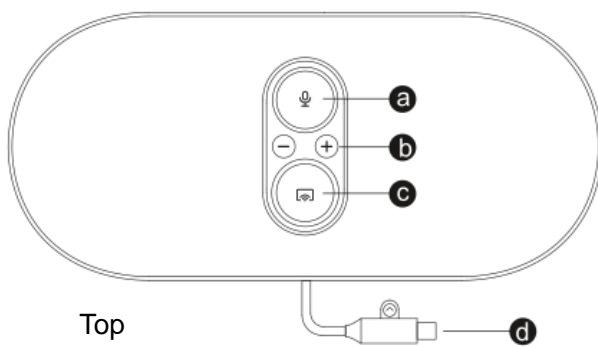


Connect with the USB 2.0 port of PC, the maximum resolution is 1080p
 USB 3.0, the maximum resolution is 4K.



3.2 MS10

3.2.1 LED Indicator



a Mute Button
 Green: Mic on
 Red: Mic off

b Speaker Volume +/-





c Screen casting Button
 Press to start/end
 screencasting

d USB Type-c port
 For power supply and signal transmission

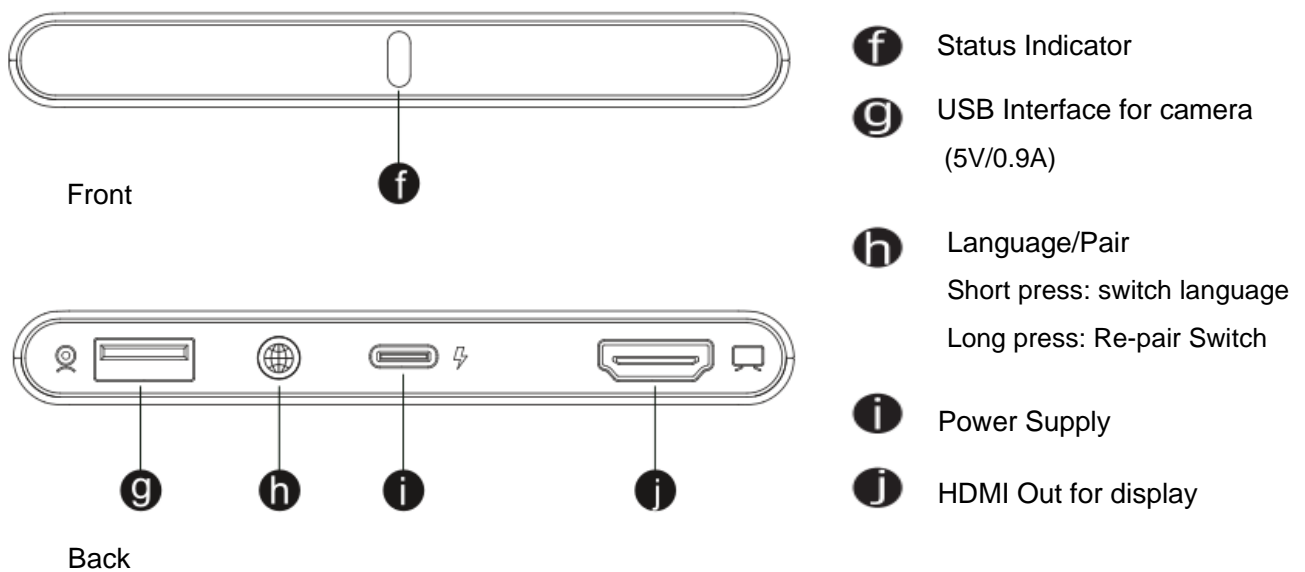
e Kensington Nano Slot

3.2.2 Screen casting LED Indicator

Flashing Green	Connecting in progress.
Static Green	Connection succeeds, ready for screencasting
Static Yellow	No DP signal from the laptop port.
Static Red	Three troubleshooting methods for connection failure: 1. Re-plug the Speakerphone 2. Receiver is not powered, please re-plug and ensure the Receiver indicator light shows static white 3. The Receiver and Speakerphone are not paired. Please ensure they are the original paired units, Otherwise please re-pair

Re-pairing method: After powering on, press the back button  of RC10, and press the screen casting button  and mute button  of MS10 at the same time, and press for 5s to release; Enter automatic pairing later. After successful pairing, you can continue to press the screen casting button  to use the screen casting.

3.3 RC10

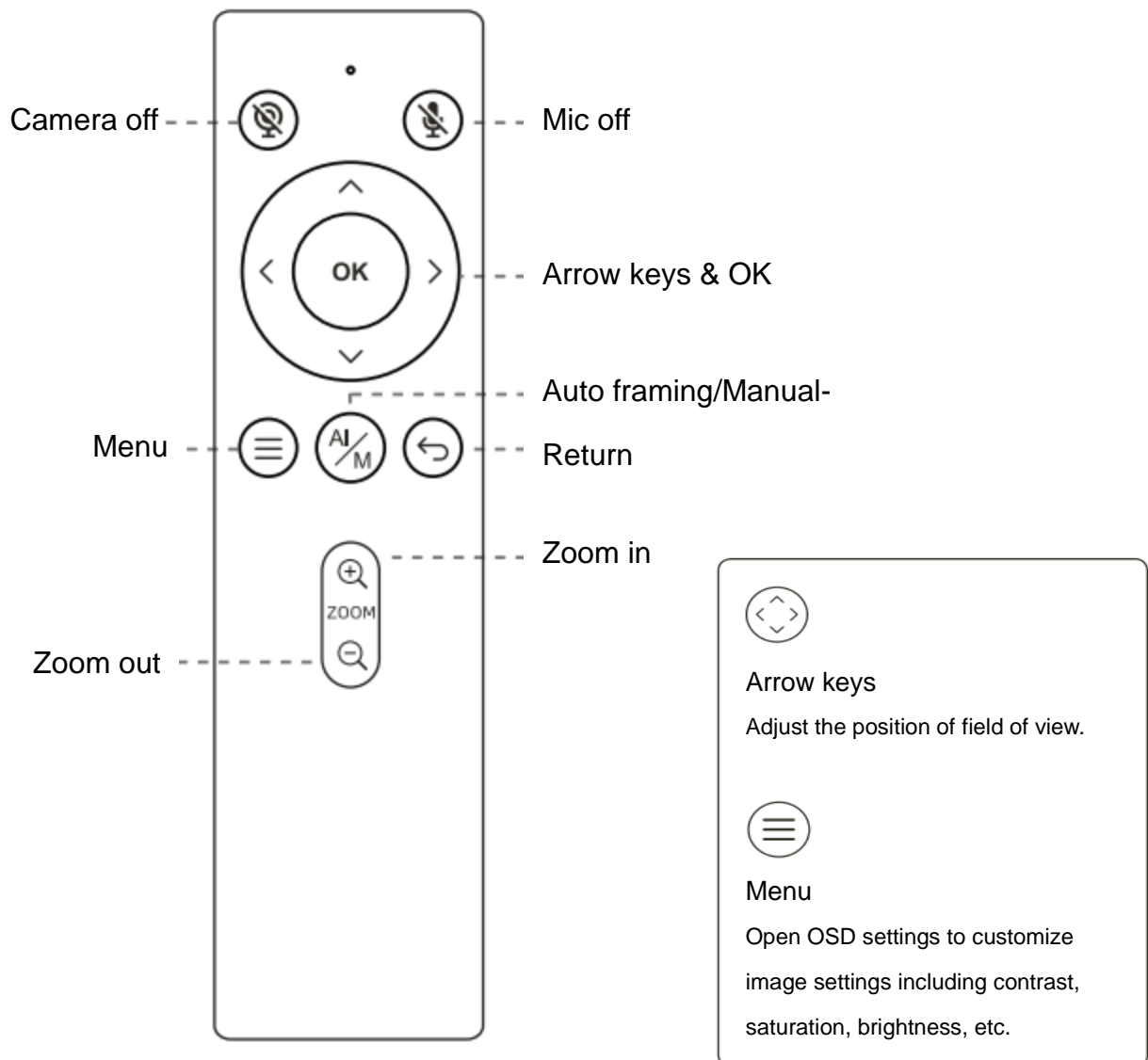


3.3.1 Receiver LED Indicator

Flashing Green	Connecting in progress.
Static Green	Connection succeeds, ready for screencasting.
Static White	Working.

3.4 Remote control

3.4.1 Remote control Overview

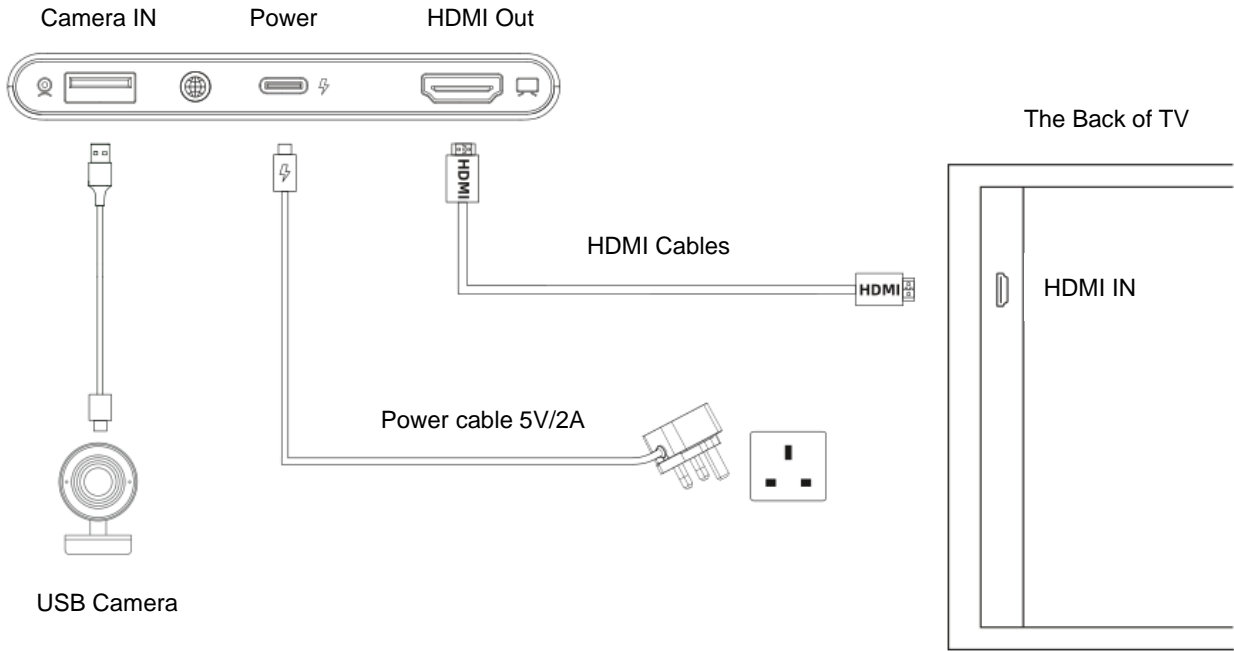


3.4.2 LED indication

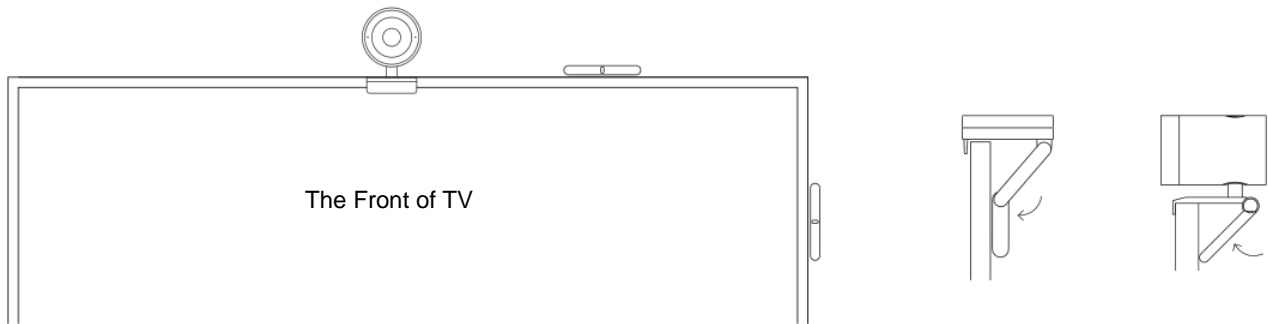
	Event	Camera response	LED Status
1	Use remote and turn off mic	Mic is mute, mute icon pop up	Orange light blink
2	Use remote and turn off camera	Camera is off, pop up a black image with camera off icon	Red light blink
3	Use remote and turn off both mic and camera	Mic is mute and camera is off, pop up a black image with mic off icon and camera off icon	Red light & orange light blink alternately

4 Installation Guidelines

1. Plug the 5V/2A power supply into the receiver and connect it to the HDMI cable of the display.
2. To connect the USB camera, plug the camera's USB cable into the USB-A port on the receiver.



3. Mount the Receiver and USB Camera on the display using the built-in mounting clip. Ensure that the receiver is positioned towards the front side for optimal wireless signal transmission. The optimal wireless transmission range is within 5 meters.



4. Switch the display output source to the connected HDMI port.



HDMI 1

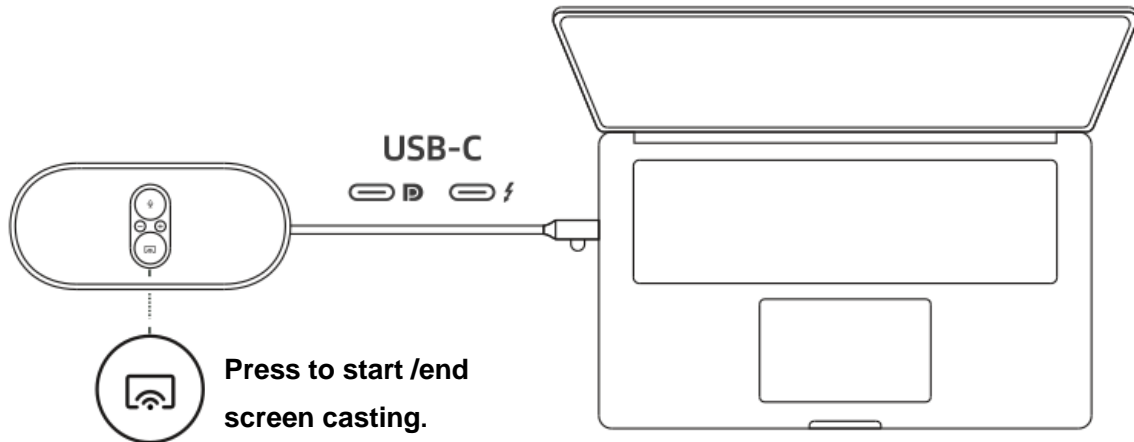


HDMI 2



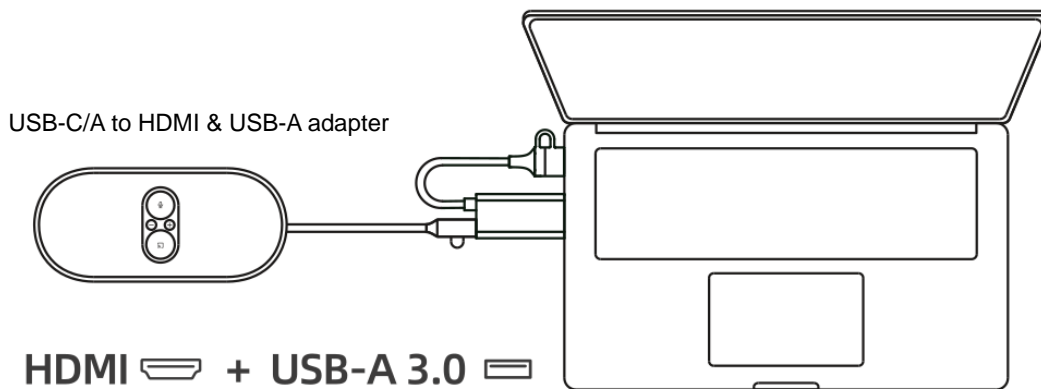
HDMI 3

5. Connect the MS10 Speakerphone to a full-featured Type-C port on your laptop. Wait until the screencasting button light turns green, then press the button to start casting your screen. Press the button again to end screen casting.

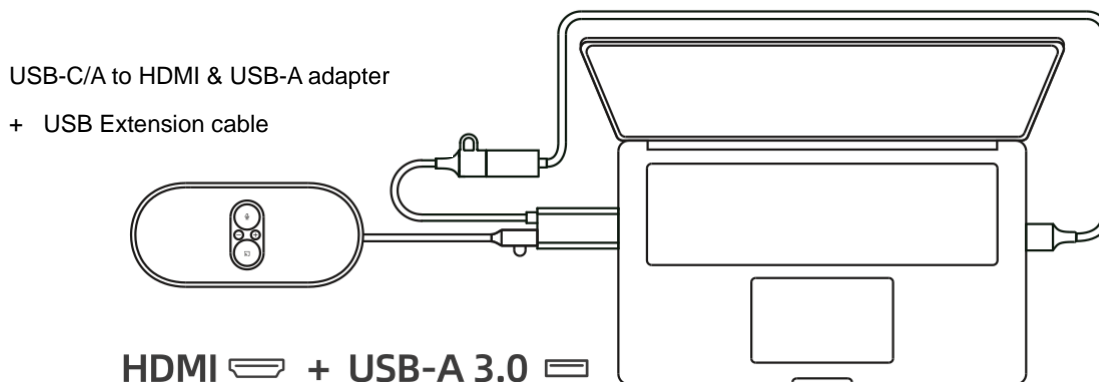


TIPS:

*In the case where the laptop's type C port does not meet the full feature requirement (Refer the table of Type-c specification), use the USB-C/A to HDMI& USB-A adapter instead.



*Use the USB extension cable if the laptop's USB3.0 port is not nearby the HDMI port.



- To use the speakerphone and access the camera wirelessly, in your video conference software, select "MS10 XXX "as your microphone, speaker, and camera.

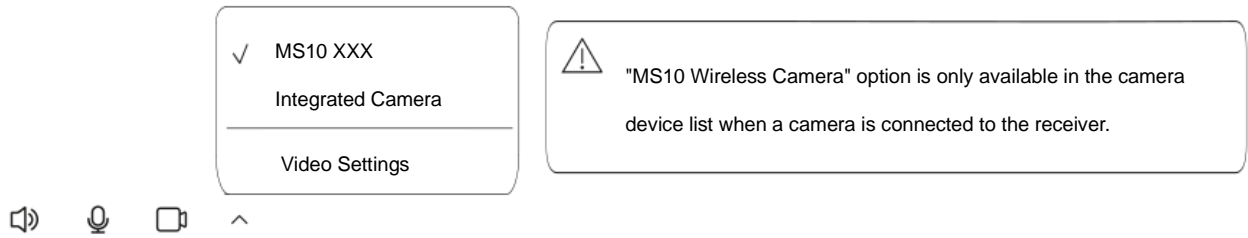
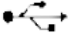

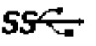

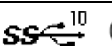






Table 1 USB Type Specification Table

USB-C Connector		Data Transfer	Display	Power
USB 2.0 480 Mbps	 Normal	○	×	×
	 PD Enabled	○	×	○
USB 3.1 Gen1 5 Gbps	 Normal	○	×	×
	 PD Enabled	○	×	○
USB 3.1 Gen2 10 Gbps	 Normal	○	×	×
	 PD Enabled	○	×	○
DisplayPort 5-10 Gbps	 Normal	○	○	×
	 PD Enabled	○	○	○
Thunderbolt 20-40Gbps PD Enabled DisplayPort		○	○	○

5 FAQ

Q: What does it mean when the screencasting Button On the MS10 Speakerphone lights up yellow?

Make sure whether the computer connected supports DisplayPort (DP output), Otherwise, there will be no signal output.

Q: What does it mean when the screencasting Button On the MS10 Speakerphone lights up Red?

Power off and on the Speakerphone. Or try pairing again.

Q: Screencast button doesn't work but other indicators on MS10 Speakerphone or RC10 Receiver are normal?

Check and confirm whether the MS10 speaker matches the RC10 receiver through the last nine digits of the serial number..

Q: When screencasting, there is no content showed on the screen.

1. Make sure Receiver is powered on and plugged into the HDMI IN port of the screen, with the proper signal source channel chosen.
2. Try to change to an alternative HDMI IN port if the issue remains.
3. Check if the Win+P shortcut key is in "expansion mode" for screen projection. In this mode, the monitor will become the second extended screen of the laptop, so only the lower taskbar will be displayed on the screen, without any other content; You can drag the file to the right until displayed on the monitor, or change the Win+P shortcut to "Copy Mode".

Q: Why does my computer fail to screencast at 4K?

1. Make sure the HDMI plugged in display device can support 4K resolution.
2. Check the resolution setting of your computer, Setting—Screen—resolution setting:
3480X2160.

3. Check the computer casting mode, part of the computer to expand the screen can only be 4K cast screen.

Q: Why does the sound not come out from SpeakerPhone?

1. Check the MS10 Speakerphone is set to output device by default in computer audio setting.
2. Make sure the MS10 Speakerphone is opted as computer's microphone and speaker.

Q: How to address echo issues at the other end during meeting?

Choose MS10 Speakerphone as your microphone/speaker to activate Echo Cancellation.

Q: Why does the camera not work when plugged into Receiver?

Camera functionality may vary due to compatibility issues. Recommended to use a suggested camera if you are failed recognition.

1. Select MS10 Wireless Camera as an input camera in camera/conference software setting.
2. Unplug/plug the MS10 Speakerphone/RC10 Receiver, and try after rebooting.
3. Check if the power supply exceeds specification, use recommended 5V/2A adapter if it's the case.

Q: Why does the device fail to be detected when plugging the Type-C cable of receiver to computer?

The C-port on the computer is used for power supply, so it will not perform data transmission and will not be detected as a device by the computer, Please refer to the USB Type specification table in Table 1 for details. Alternatively, refer to Chapter 5 Installation Guidelines - Step 5 for the cable transfer method to continue the screen projection..

Q: How to prevent flicker in your video

The default camera frequency setting is 50Hz, if you encounter the flicker problem, simply use the remote control, get into Menu—Mode--Flicker to adjust camera frequency that match the electrical frequency of your region.

Q: Does CA400 support tablets or phones with TYPE-C interface?

The CA400 is designed to support laptops under Windows and MAC OS. Compatibility is not guaranteed with PC or Android under Linux or mobile phones and PADs under MAC OS.

Q: What wireless technology is used to connect the CM70 camera to the MS10, and how far can it be?

The remote control and camera are controlled through infrared. The camera is connected to the RC10 receive via USB, and the receiver is wirelessly connected to the MS10 with WIFI. When controlling the camera with an infrared remote control, there should be no gaps in the middle and it should be aligned with the direction of the camera. It is recommended to keep the distance between MS10 and RC10 within 8 meters, with no walls in the middle.

Q: The video screen displayed on a mirror? Or open the camera menu and find that the menu is also mirrored?

Due to differences in the processing methods used by different conference software to obtain video images, they may mirror the images. You can enter the Menu—Mode--Mirror; If you find that the menu is also mirrored, you can follow the yellow prompt on screen and press the left or right button to access the mirrored menu.

6 Safe Usage Guidelines for Products

- Do not open modify the product expect for internal parts removal and replacement.
- Do not disassemble or attempt to service the product.
- This Product is safe under normal and reasonably foreseeable misuse operating conditions.
- If product is operating improperly, contact the authorized reseller.
- Product must be returned to the authorized reseller for any service or repair.
- This is no a Children's Product and is not intended for use by children under 14 years old.