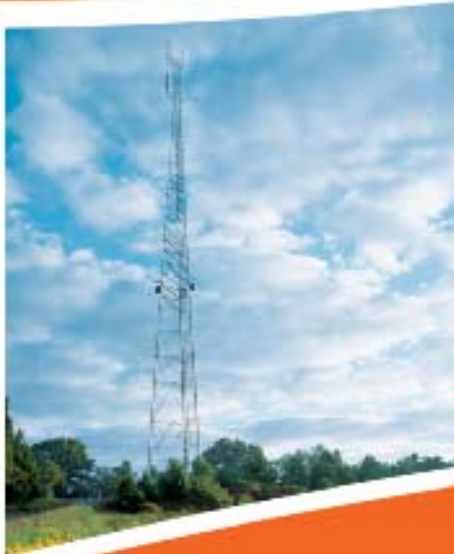


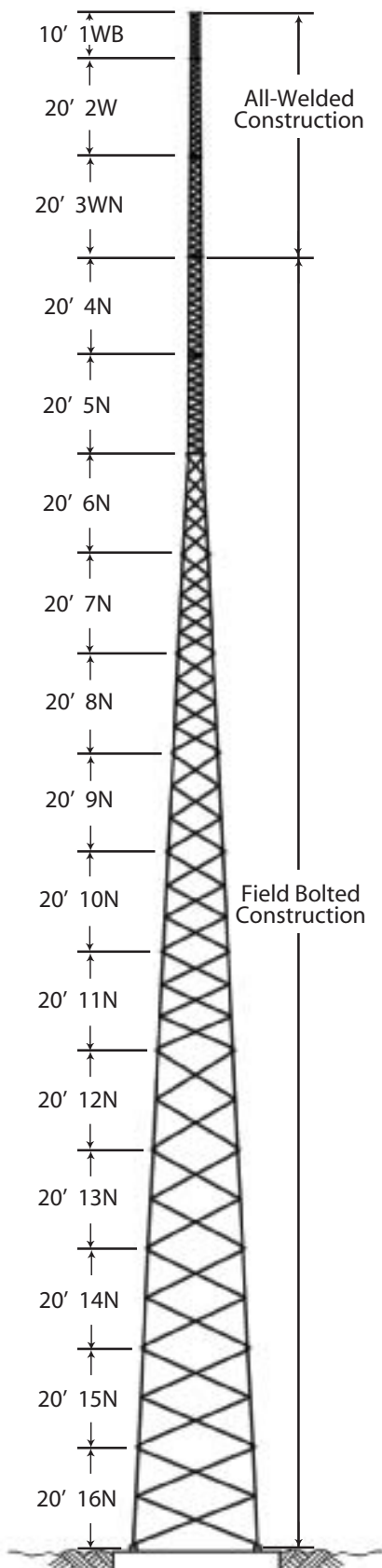
SELF-SUPPORTING TOWERS





SSV SELF-SUPPORTING TOWERS

SSV STANDARD



GENERAL USE

The ROHN SSV tower has been in service for over 50 years. The design utilizes standard parts arranged to create a unique structure. The legs are tubular with angle braces at the bottom and solid legs and braces in the top sections. This tower is used in a variety of applications, from PCS structures and broadband to security, sports lighting and more. The SSV has proven to be one of the industry's most efficient and preferred structures. All ROHN SSV towers are hot-dip galvanized, inside and out for corrosion protection.

Do not use for construction. See tower assembly drawings.

Section Number	Nominal Spread Dimension	
	Upper	Lower
1WB	1' - 2"	1' - 2"
2W	1' - 2"	1' - 6"
3WN	1' - 6"	1' - 10"
4N	1' - 10"	2' - 2"
5N	2' - 2"	2' - 6"
6N	2' - 6"	4' - 6 1/4"
7N	4' - 6 1/4"	6' - 6 3/4"
8N	6' - 6 3/4"	8' - 6 3/4"
9N	8' - 6 3/4"	10' - 6 3/4"
10N	10' - 6 3/4"	12' - 7 1/4"
11N	12' - 7 1/4"	14' - 7 7/8"
12N	14' - 7 7/8"	16' - 8 3/8"
13N	16' - 8 3/8"	18' - 8 3/8"
14N	18' - 8 3/8"	20' - 9 3/8"
15N	20' - 9 3/8"	22' - 9 3/8"
16N	22' - 9 3/8"	24' - 9 3/8"

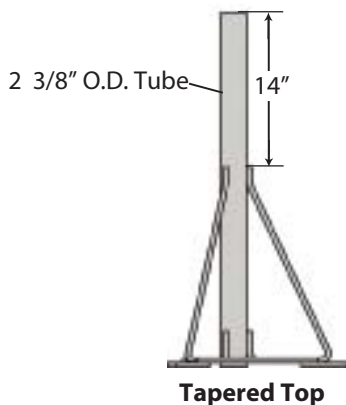
Per Rev G requirements, any structure greater than 10' requires a climber safety device. Please contact ROHN for ordering information.

SELF-SUPPORTING STANDARD TOWERS

REV G, 90 MPH 3-SEC, 3/4" ICE							
TOWER HEIGHT (FT.)	TOWER ASSEMBLY NUMBER	SECTIONS		EFFECTIVE PROJECTED AREA (SQ. FT.)			
		TOP	BASE	TOP		30' BELOW TOP	
				EXP B	EXP C	EXP B	EXP C
40	SS040R90	2W	3WN	18	13	31	19
50	SS050R90	1WB	3WN	7	5	12	7
60	SS060R90	2W	4N	15	10	25	16
70	SS070R90	1WB	4N	6	4	10	5
80	SS080R90	2W	5N	13	9	22	14
90	SS090R90	1WB	5N	5	3	8	5
100	SS100R90	2W	6N62	11	7	18	11
110	SS110R90	1WB	6N62	4	2	7	3
120	SS120R90	2W	7N165	10	6	17	10
130	SS130R90	1WB	7N165	4	2	7	3
140	SS140R90	2W	8N106	9	4	15	7
150	SS150R90	1WB	8N106	5	2	8	3
160	SS160R90	2W	9N325	8	-	14	-
170	SS170R90	1WB	9N325	5	-	8	-
180	SS180R90	2W	10N387	4	-	6	-

General Notes:

- Standard tower designs are in accordance with approved national standard ANSI/TIA-222-G, Structure Class II, Topographic Category 1, 3/4" design ice thickness, seismic coefficient $S_s \leq 1.0$.
- Tower designs assume allowable projected areas are symmetrically placed on the tower.
- Designs assume one 7/8 line to top and two 7/8 lines to 30 feet below top, one line on each face.
- All towers are provided with step bolts and a tapered top.
- Grounding kit must be ordered separately.
- Assembly drawings and standard foundation details are supplied with the tower.
- Custom designs for site-specific applications are available upon request.



Assy. P/N	Tower Section No.
1TT	1W, 1WB, 2W
3TT	2WST, 2WB, 3WN
4TTN	3WNST, 3WNB, 4N
5TTN	4NST, 4NA, 4WB, 4NC, 5N
6TT	5NST, 5NA, 5NB, 5NC, 6C



SELF-SUPPORTING STANDARD TOWERS

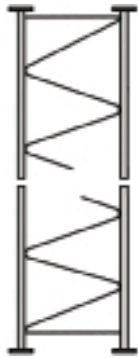
REV G, 100 MPH 3-SEC, 3/4" ICE							
TOWER HEIGHT (FT.)	TOWER ASSEMBLY NUMBER	SECTIONS		EFFECTIVE PROJECTED AREA (SQ. FT.)			
		TOP	BASE	TOP		30' BELOW TOP	
				EXP B	EXP C	EXP B	EXP C
40	SS040R100	2W	3WN	14	10	24	15
50	SS050R100	1WB	3WN	5	3	8	5
60	SS060R100	2W	4N	11	7	18	12
70	SS070R100	1WB	4N	4	2	7	3
80	SS080R100	2W	5N	10	6	17	10
90	SS090R100	1WB	5N	3	2	5	2
100	SS100R100	2W	6N62	7	4	12	6
110	SS110R100	1WB	6N62	3	2	5	-
120	SS120R100	2W	7N165	6	2	10	3
130	SS130R100	1WB	7N165	2	-	3	-
140	SS140R100	2W	8N106	5	-	8	-
150	SS150R100	1WB	8N106	3	-	5	-
160	SS160R100	2W	9N325	4	-	6	-
170	SS170R100	1WB	9N325	2	-	2	-

General Notes:

1. Standard tower designs are in accordance with approved national standard ANSI/TIA-222-G, Structure Class II, Topographic Category 1, 3/4" design ice thickness, seismic coefficient $S_s \leq 1.0$.
2. Tower designs assume allowable projected areas are symmetrically placed on the tower.
3. Designs assume one 7/8 line to top and two 7/8 lines to 30 feet below top, one line on each face.
4. All towers are provided with step bolts and a tapered top.
5. Grounding kit must be ordered separately.
6. Assembly drawings and standard foundation details are supplied with the tower.
7. Custom designs for site-specific applications are available upon request.

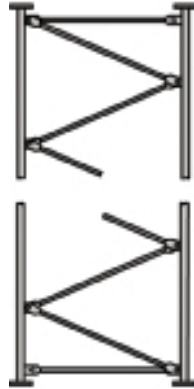


SELF-SUPPORTING HEAVY DUTY SECTIONS



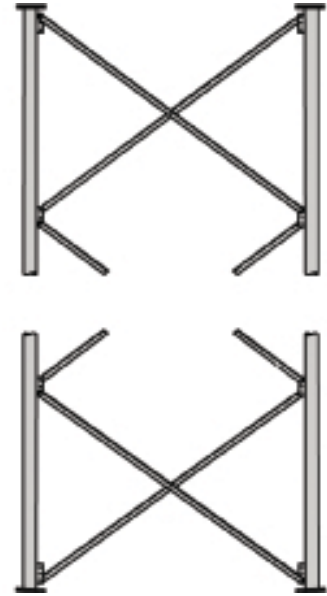
Bracing Detail for Sections 1W - 3WN
Solid Round Legs & Solid Round Braces

Straight and Tapered Sections available.



Bracing Detail for Sections 4N & 5N
Solid Round Legs & Solid Round Braces

Straight and Tapered Sections available.

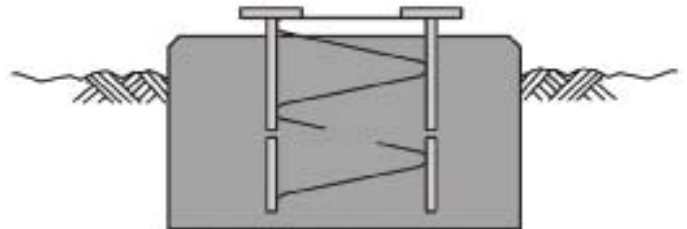


Bracing Detail for Straight Sections 6N - 11N
Tubular Legs & Angle Braces



Bracing Detail for Tapered Sections 6N - 16NH
Tubular Legs & Angle Braces

TYPICAL SHORT BASE

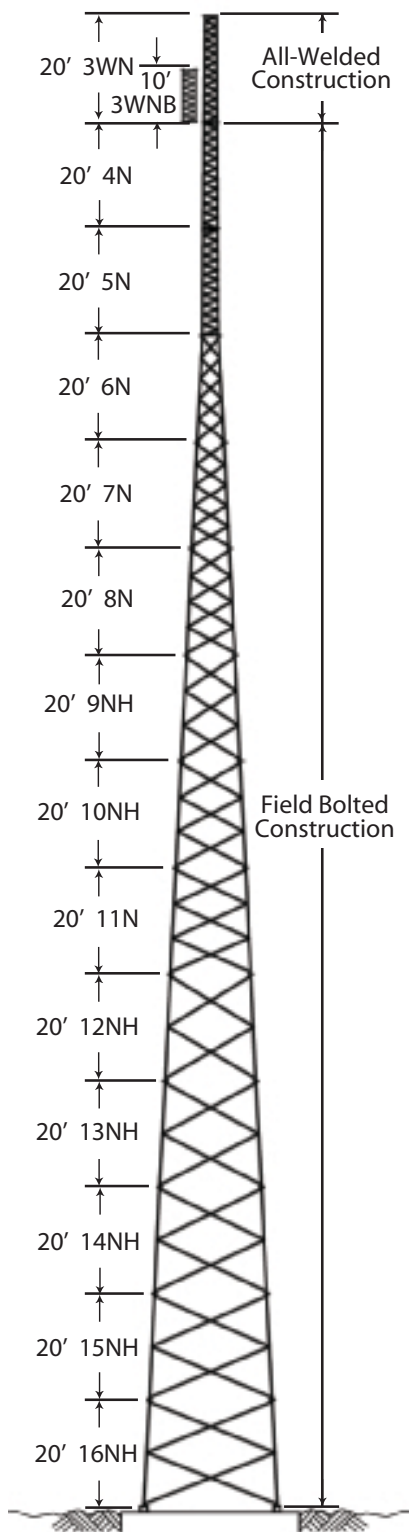


Part No: SB2, SB3, SB4 & SB5
Installed when 2N - 5N sections are used as tower base.

Anchor bolt configurations are provided with larger towers.

SSV HD SELF-SUPPORTING TOWERS

SSV HEAVY DUTY



GENERAL USE

The ROHN SSV HD tower has the same features and utility as the SSV tower, but with Heavy Duty legs and braces. The heavy duty tower allows for the structure to support more loading and higher wind and ice loading. This tower serves the same applications as the SSV including: PCS, broadband, security, sports lighting and many others. The SSV HD also has standard "pre-engineered" towers created from standard sections. All ROHN SSV towers are hot-dip galvanized, inside and out for corrosion protection.

Section Number	Nominal Spread Dimension	
	Upper	Lower
3WN	1' - 6"	1' - 10"
3WNB	1' - 10"	1' - 10"
4N	1' - 10"	2' - 2"
5N	2' - 2"	2' - 6"
6N	2' - 6"	4' - 6 1/4"
7N	4' - 6 1/4"	6' - 6 3/4"
8N	6' - 6 3/4"	8' - 6 3/4"
9NH	8' - 6 3/4"	10' - 6 3/4"
10NH	10' - 6 3/4"	12' - 7 1/4"
11N	12' - 7 1/4"	14' - 7 7/8"
12NH	14' - 7 7/8"	16' - 8 3/8"
13NH	16' - 8 3/8"	18' - 8 3/8"
14NH	18' - 8 3/8"	20' - 9 3/8"
15NH	20' - 9 3/8"	22' - 9 3/8"
16NH	22' - 9 3/8"	24' - 9 3/8"

Do not use for construction.
See tower assembly drawings.

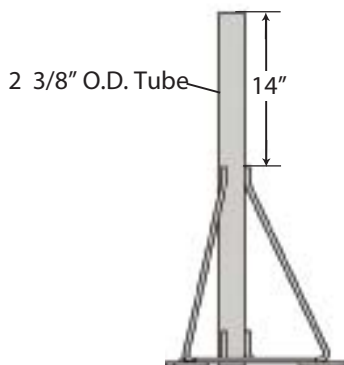
Per Rev G requirements, any structure greater than 10' requires a climber safety device. Please contact ROHN for ordering information.

SELF-SUPPORTING HEAVY DUTY STANDARD TOWERS

REV G, 90 MPH 3-SEC, 3/4" ICE							
TOWER HEIGHT (FT.)	TOWER ASSEMBLY NUMBER	SECTIONS		EFFECTIVE PROJECTED AREA (SQ. FT.)			
		TOP	BASE	TOP		30' BELOW TOP	
				EXP B	EXP C	EXP B	EXP C
40	SS040HD90	3WN	4N	41	29	60	40
50	SS050HD90	3WNB	5N	36	27	60	40
60	SS060HD90	3WN	5N	35	26	60	40
70	SS070HD90	3WNB	6N62	32	23	54	38
80	SS080HD90	3WN	6N62	22	15	37	25
90	SS090HD90	3WNB	7N165	27	18	46	30
100	SS100HD90	3WN	7N165	20	13	34	21
110	SS110HD90	3WNB	8N106	24	10	41	17
120	SS120HD90	3WN	8N106	18	11	31	18
130	SS130HD90	3WNB	9N82	21	9	36	15
140	SS140HD90	3WN	9N82	16	10	27	17
150	SS150HD90	3WNB	10N183	19	11	33	18
160	SS160HD90	3WN	10N183	15	8	25	14
170	SS170HD90	3WNB	11N332	18	9	31	15
180	SS180HD90	3WN	11N332	13	6	21	10

General Notes:

1. Standard tower designs are in accordance with approved national standard ANSI/TIA-222-G, Structure Class II, Topographic Category 1, 3/4" design ice thickness, seismic coefficient $S_s \leq 1.0$.
2. Tower designs assume allowable projected areas are symmetrically placed on the tower.
3. Designs assume one 7/8 line to top and two 7/8 lines to 30 feet below top, one line on each face.
4. All towers are provided with step bolts and a tapered top.
5. Grounding kit must be ordered separately.
6. Assembly drawings and standard foundation details are supplied with the tower.
7. Custom designs for site-specific applications are available upon request.



Tapered Top

Assy. P/N	Tower Section No.
1TT	1W, 1WB, 2W
3TT	2WST, 2WB, 3WN
4TTN	3WNST, 3WNB, 4N
5TTN	4NST, 4NA, 4WB, 4NC, 5N
6TT	5NST, 5NA, 5NB, 5NC, 6C



SELF-SUPPORTING HEAVY DUTY STANDARD TOWERS

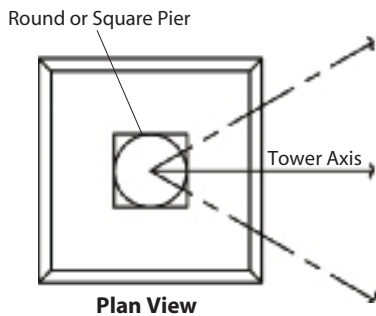
REV G, 100 MPH 3-SEC, 3/4" ICE							
TOWER HEIGHT (FT.)	TOWER ASSEMBLY NUMBER	SECTIONS		EFFECTIVE PROJECTED AREA (SQ. FT.)			
		TOP	BASE	TOP		30' BELOW TOP	
				EXP B	EXP C	EXP B	EXP C
40	SS040HD100	3WN	4N	32	23	50	38
50	SS050HD100	3WNB	5N	29	21	49	35
60	SS060HD100	3WN	5N	28	20	48	34
70	SS070HD100	3WNB	6N62	25	17	42	28
80	SS080HD100	3WN	6N62	17	11	28	18
90	SS090HD100	3WNB	7N165	19	11	32	18
100	SS100HD100	3WN	7N165	14	7	24	11
110	SS110HD100	3WNB	8N106	17	9	28	15
120	SS120HD100	3WN	8N106	12	5	20	9
130	SS130HD100	3WNB	9N82	14	8	24	13
140	SS140HD100	3WN	9N82	10	4	17	7
150	SS150HD100	3WNB	10N183	12	3	20	5
160	SS160HD100	3WN	10N183	9	-	15	-
170	SS170HD100	3WNB	11N332	9	-	15	-
180	SS180HD100	3WN	11N332	6	-	10	-

REV G, 110 MPH 3-SEC, 3/4" ICE							
TOWER HEIGHT (FT.)	TOWER ASSEMBLY NUMBER	SECTIONS		EFFECTIVE PROJECTED AREA (SQ. FT.)			
		TOP	BASE	TOP		30' BELOW TOP	
				EXP B	EXP C	EXP B	EXP C
40	SS040HD110	3WN	4N	26	18	40	30
50	SS050HD110	3WNB	5N	23	17	39	28
60	SS060HD110	3WN	5N	23	16	39	26
70	SS070HD110	3WNB	6N62	19	12	33	20
80	SS080HD110	3WN	6N62	12	7	20	11
90	SS090HD110	3WNB	7N165	13	7	22	10
100	SS100HD110	3WN	7N165	9	3	15	4
110	SS110HD110	3WNB	8N106	11	5	18	8
120	SS120HD110	3WN	8N106	7	2	11	3

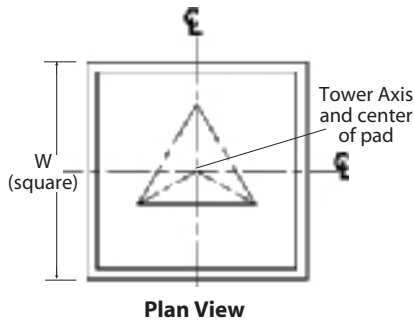
General Notes:

1. Standard tower designs are in accordance with approved national standard ANSI/TIA-222-G, Structure Class II, Topographic Category 1, 3/4" design ice thickness, seismic coefficient $S_s \leq 1.0$.
2. Tower designs assume allowable projected areas are symmetrically placed on the tower.
3. Designs assume one 7/8 line to top and two 7/8 lines to 30 feet below top, one line on each face.
4. All towers are provided with step bolts and a tapered top.
5. Grounding kit must be ordered separately.
6. Assembly drawings and standard foundation details are supplied with the tower.
7. Custom designs for site-specific applications are available upon request.

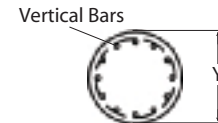
SELF-SUPPORTING ANSI/TIA-222-G STANDARD FOUNDATIONS



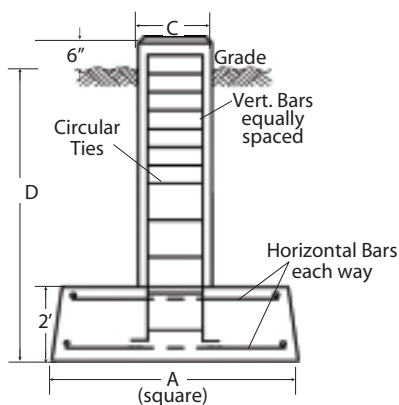
Plan View



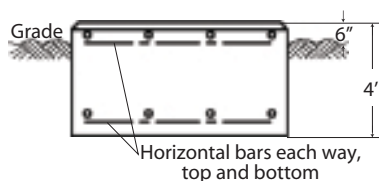
Plan View



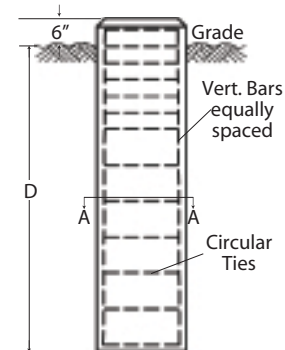
Section A-A



Pier & Pad
Elevation View



Mat
Elevation View



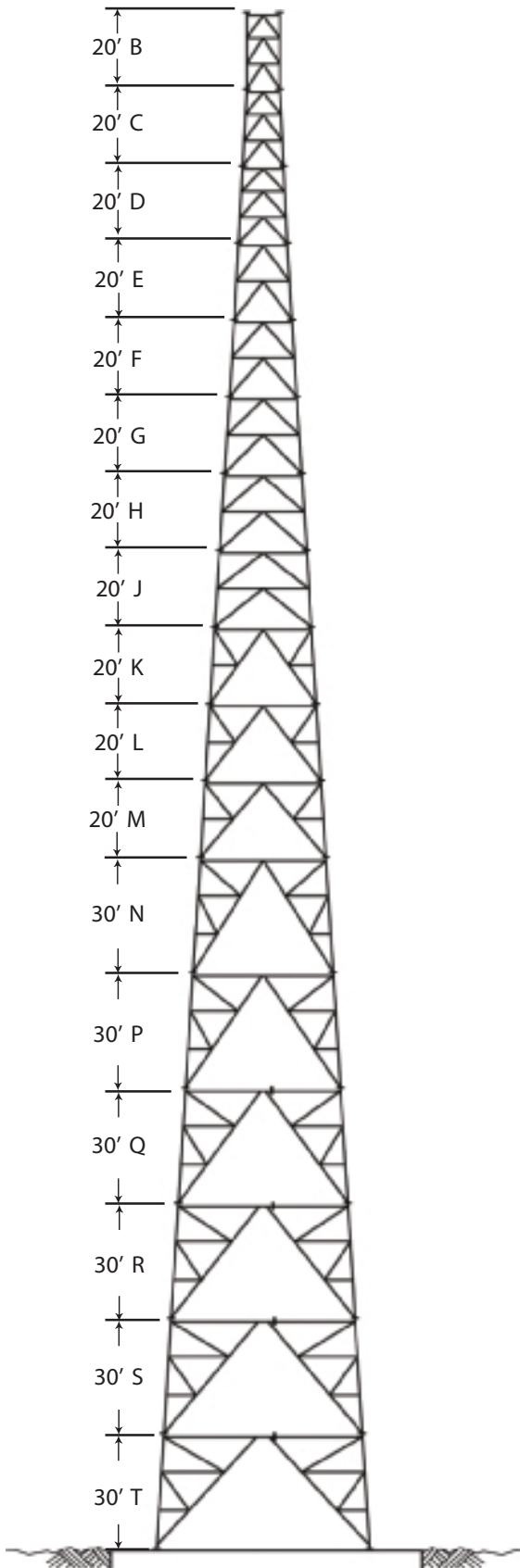
Drilled Pier
Elevation View

Tower Base Sect. No.	Pier & Pad					Mat		Drilled Pier		
	Dimensions			Req'd Conc. (cu. yds. 3 fms)		W	Req'd Conc. (cu. yds.)	D	Y	Req'd Conc. (cu. yds.)
	D	A	C	Round	Square					
3WN	-	-	-	-	-	6' - 9"	6.8	-	-	-
4N	-	-	-	-	-	8' - 0"	9.5	-	-	-
5N	-	-	-	-	-	8' - 9"	11.3	-	-	-
6N62	-	-	-	-	-	10' - 3"	15.6	-	-	-
7N165	8' - 0"	4' - 6"	2' - 0"	6.3	6.9	11' - 6"	19.6	-	-	-
8N106	8' - 0"	5' - 0"	2' - 0"	7.3	7.9	14' - 3"	30.1	15' - 0"	2' - 6"	8.4
9N325/9N 82	8' - 0"	5' - 6"	2' - 0"	8.4	9.0	16' - 0"	37.9	18' - 0"	2' - 6"	10.2
10N387/10N183	8' - 6"	5' - 6"	2' - 0"	8.6	9.2	18' - 3"	49.3	20' - 0"	2' - 6"	11.1
11N332	9' - 0"	6' - 0"	2' - 6"	11.4	12.6	-	-	22' - 0"	2' - 6"	12.3

Standard foundations illustrated are for general information purposes only and are based on Rev G presumptive clay soil parameters. Foundation installation details are provided with tower assembly drawings.

SSMW SELF-SUPPORTING TOWERS

SSMW



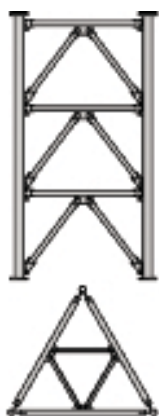
GENERAL USE

The ROHN SSMW tower is a unique design using a K-Brace system with horizontal plan bracing to allow free standing towers to reach heights to 900'. The SSMW is designed with pipe legs and pipe braces with flanges at each end for connection. The SSMW tower design can be used in conjunction with the SSV tower. All SSMW towers are hot-dip galvanized, inside and out for corrosion protection.

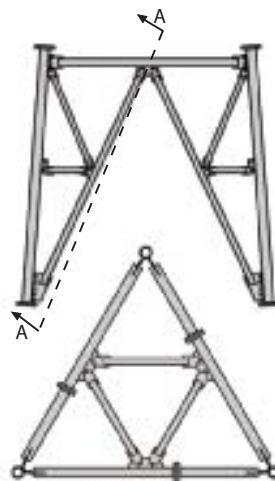
Section Number	Nominal Spread Dimension	
	Upper	Lower
B	8' - 6 1/2"	8' - 6 1/2"
C	8' - 6 1/2"	10' - 7"
D	10' - 7"	12' - 7 1/2"
E	12' - 7 1/2"	14' - 11 1/2"
F	14' - 11 1/2"	17' - 5 1/2"
G	17' - 5 1/2"	19' - 11 1/2"
H	19' - 11 1/2"	22' - 6 1/2"
J	22' - 6 1/2"	25' - 0 1/2"
K	25' - 0 1/2"	27' - 6 1/2"
L	27' - 6 1/2"	30' - 0 1/2"
M	30' - 0 1/2"	32' - 6 1/2"
N	32' - 6 1/2"	36' - 3 1/2"
P	36' - 3 1/2"	40' - 2 1/8"
Q	40' - 2 1/8"	43' - 11 1/8"
R	43' - 11 1/8"	47' - 8 1/8"
S	47' - 8 1/8"	51' - 5 1/8"
T	51' - 5 1/8"	55' - 2 1/8"

Per Rev G requirements, any structure greater than 10' requires a climber safety device. Please contact ROHN for ordering information.

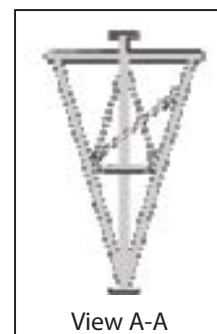
SELF-SUPPORTING SSMW SECTIONS



Typical section assembly detail for sections B, C & D.
Section E, F, G, H & J are identical except for the number of bays of bracing.



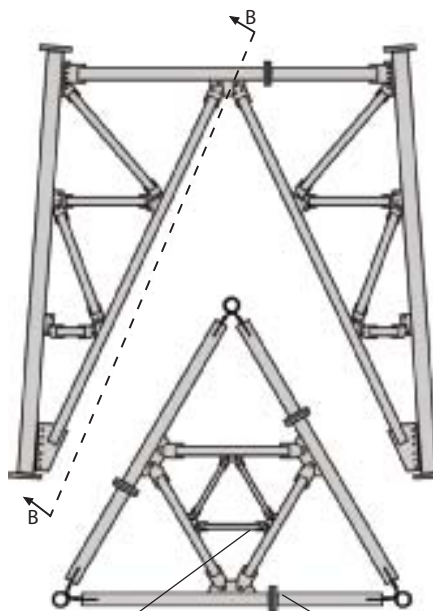
Typical section assembly detail for sections K, L & M.



View A-A

SSMW SECTIONS

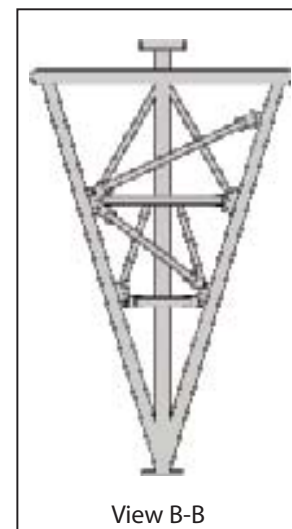
Sections are designed for many different sizes of braces and legs.



Typical section assembly detail for sections N, P, Q, R, S & T.

Secondary horizontal sub-bracing are used on sections Q, R, S & T.

Bracing splice connections are used on sections Q through T.



View B-B

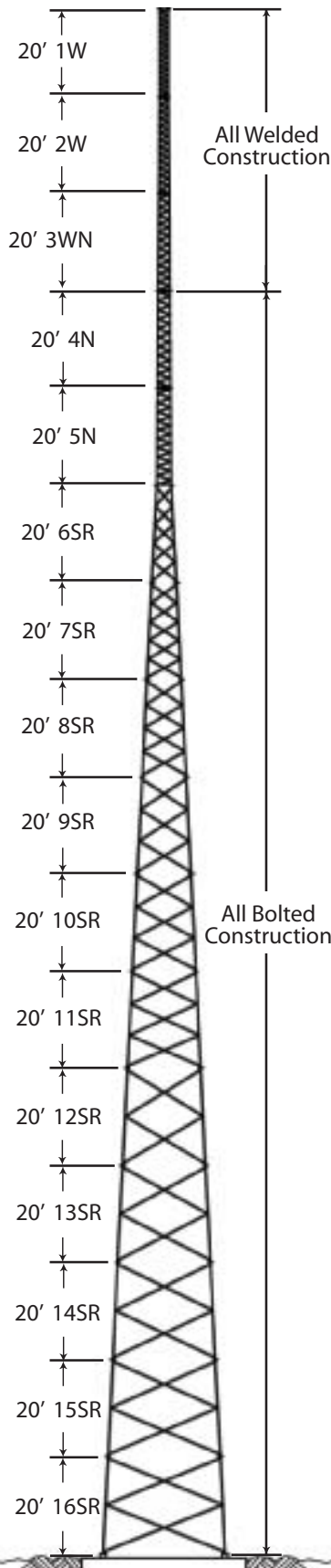


SSVSR SELF-SUPPORTING TOWERS

SSVSR

GENERAL USE

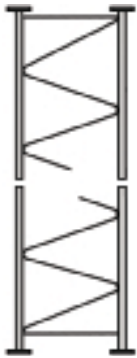
The ROHN SSVSR tower is similar in design to the ROHN SSV tower, but uses solid round legs instead of tubular legs. The SSVSR tower gives the versatility to switch to a solid leg, if desired. The standard side arms, dish mounts, ladders and waveguide supports that are used on the SSV tower can be used on the SSVSR tower. All SSVSR towers are hot-dip galvanized for corrosion protection.



Section Number	Nominal Spread Dimension	
	Upper	Lower
1W	1' - 2"	1' - 2"
2W	1' - 2"	1' - 6"
3WN	1' - 6"	1' - 10"
4N	1' - 10"	2' - 2"
5N	2' - 2"	2' - 6"
6SR	2' - 6"	4' - 6 1/4"
7SR	4' - 6 1/4"	6' - 6 3/4"
8SR	6' - 6 3/4"	8' - 6 3/4"
9SR	8' - 6 3/4"	10' - 6 3/4"
10SR	10' - 6 3/4"	12' - 7 1/4"
11SR	12' - 7 1/4"	14' - 7 7/8"
12SR	14' - 7 7/8"	16' - 8 3/8"
13SR	16' - 8 3/8"	18' - 8 3/8"
14SR	18' - 8 3/8"	20' - 9 3/8"
15SR	20' - 9 3/8"	22' - 9 3/8"
16SR	22' - 9 3/8"	24' - 9 3/8"

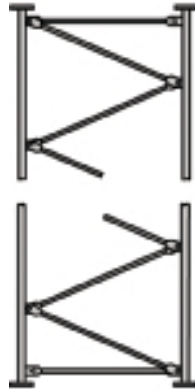
Per Rev G requirements, any structure greater than 10' requires a climber safety device. Please contact ROHN for ordering information.

SELF-SUPPORTING SOLID ROUND LEG SECTIONS



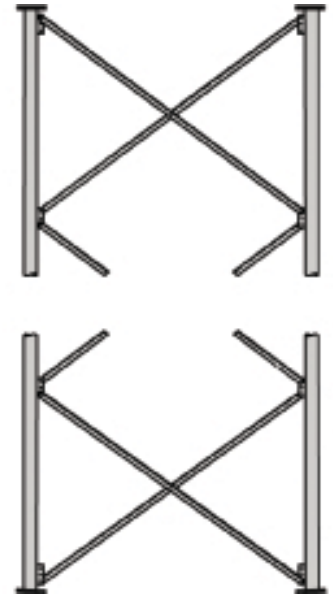
Bracing Detail for Sections 1W - 3WN
Solid Round Legs & Solid Round Braces

*Straight and Tapered Sections
available.*



Bracing Detail for Sections 4N & 5N
Solid Round Legs & Solid Round Braces

*Straight and Tapered Sections
available.*

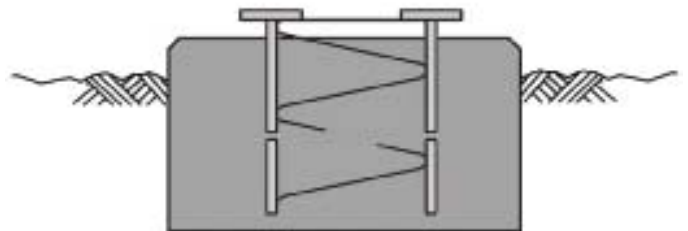


Bracing Detail for Straight Sections 6SR & 11SR
Solid Round Legs & Angle Braces



Bracing Detail for Tapered Sections 6SR - 16SR
Solid Round Legs & Angle Braces

TYPICAL SHORT BASE



Part No: SB2, SB3, SB4 & SB5
*Installed when 2N - 5N sections are
used as tower base.*

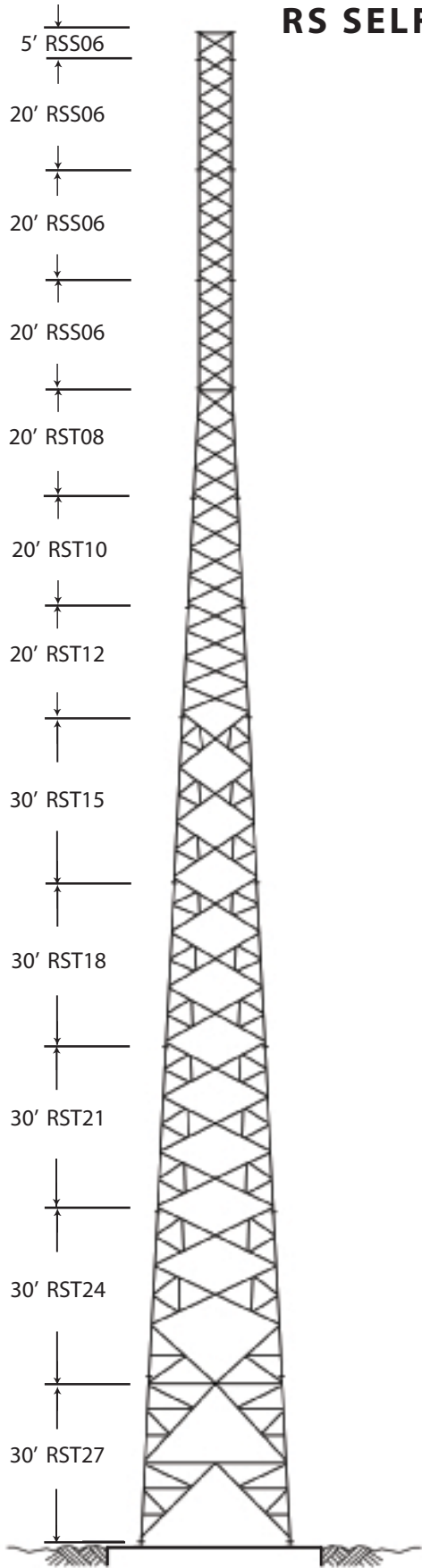
Anchor bolt configurations are provided with larger towers.

SSVSR SECTIONS

Sections are designed for many different
sizes of braces and legs.

RS SELF-SUPPORTING TOWERS

RS



GENERAL USE

The ROHN RS tower is a unique solid round leg tower that uses angle braces in an X-Brace pattern. The RS tower is custom designed with standard components to shorten lead times. All RS towers are hot-dip galvanized for corrosion protection.

Section Number	Nominal Spread Dimension	
	Upper	Lower
RSS06	6'	6'
RST08	6'	8'
RST10	8'	10'
RST12	10'	12'
RST15	12'	15'
RST18	15'	18'
RST21	18'	21'
RST24	21'	24'
RST27	24'	27'

Per Rev G requirements, any structure greater than 10' requires a climber safety device. Please contact ROHN for ordering information.

SELF-SUPPORTING RS SECTIONS



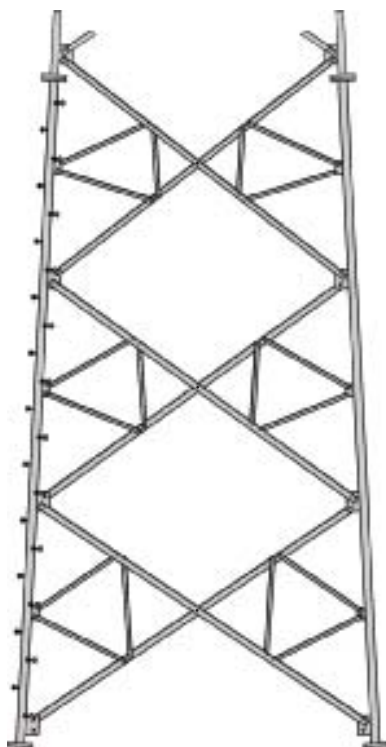
RSS 20' Straight Section
Solid Round Legs & Angle Braces



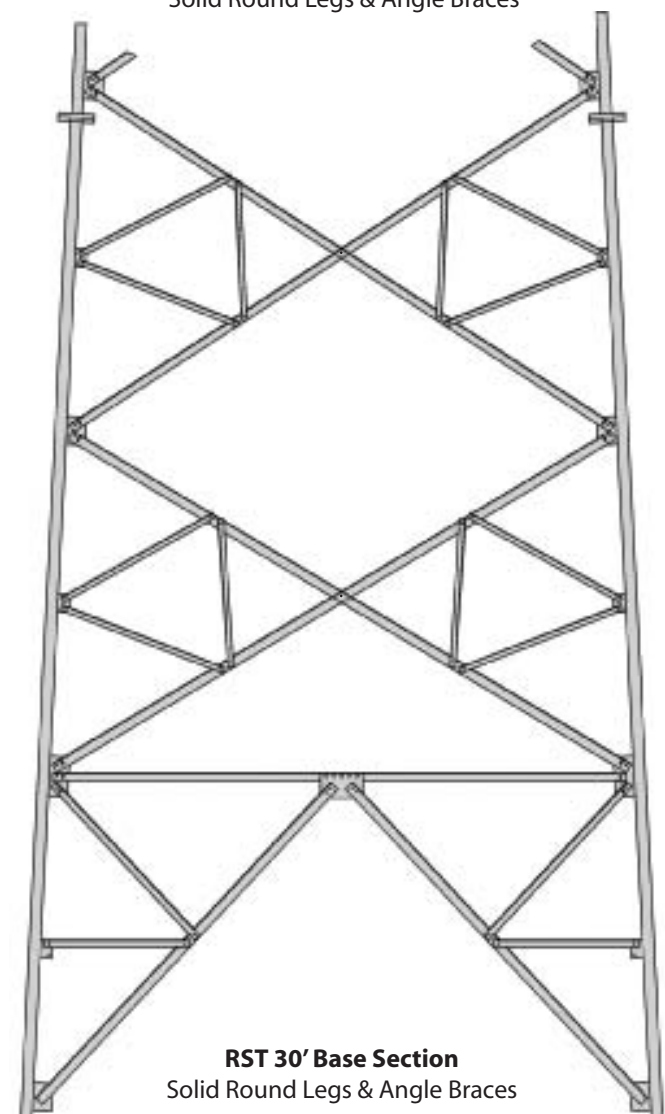
RST 20' Tapered Section
Solid Round Legs & Angle Braces

RS SECTIONS

Sections are designed for many different sizes of braces and legs.



RST 30' Tapered Section
Solid Round Legs & Angle Braces



RST 30' Base Section
Solid Round Legs & Angle Braces