



INTERIOR LIGHTING



ANTIMICROBIAL LIGHT

Powered by VYV™

The Antimicrobial Light provides effective illumination and kills¹ viruses, bacteria, fungi, yeasts, mold. This includes killing² 98% of SARS-CoV-2. Additional features include easy installation and wiring, clear polycarbonate lens, bright/dim modes and a compact flush-mount design.

¹ Testing on a non-enveloped virus (MS2 bacteriophage) showed a 97.12% reduction in controlled laboratory testing in 8 hours on hard surfaces. Testing on SARS-CoV-2 (enveloped virus) showed a 96.76% reduction in controlled laboratory testing in 8 hours on hard surfaces. Testing on MRSA and E. coli showed 90%+ reduction in controlled laboratory testing in 24 hours on hard surfaces.

² Testing on SARS-CoV-2 (enveloped virus) showed a 98.45% reduction in controlled laboratory testing in 4 hours on hard surfaces.

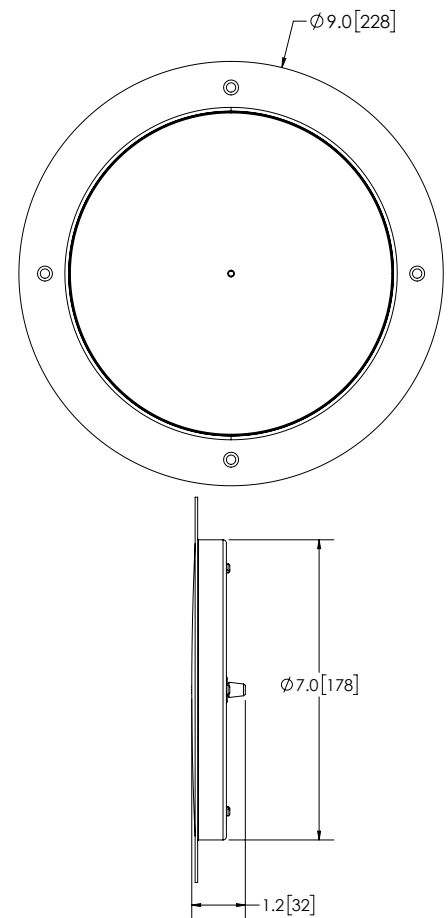
^{1,2} Results may vary depending on the amount of light that is reaching the surfaces in the space where the product is installed and the length of time of exposure. Use of Vyv antimicrobial light is not intended to replace manual cleaning and disinfection practices.

Models

PART NO.	VOLTS AMPS	LEDS	CONNECTOR	ILLUMINATION COLOR
PCL-LED-VV	12-24 1.5	48	Bare Leads	<input type="checkbox"/>
PCL-LED-VV-P	12-24 1.5	48	Deutsch	<input type="checkbox"/>

Features and Benefits

- Features a tough polycarbonate lens and easy installation with a flush-mount design
- Vyv technology kills¹ viruses, bacteria, fungi, yeasts, mold
- Creates an inhospitable environment for bacteria and microbe growth while providing effective white lighting for use around people and animals
- Fits in a standard 7.0" cutout
- For optimal antimicrobial capability, replace all passenger area lighting fixtures with Antimicrobial Light devices
- Internationally certified by IEC 62471



ECCO will assist customers with all orders to ensure optimum performance and adequate coverage for the application