

AX-TOUCH1

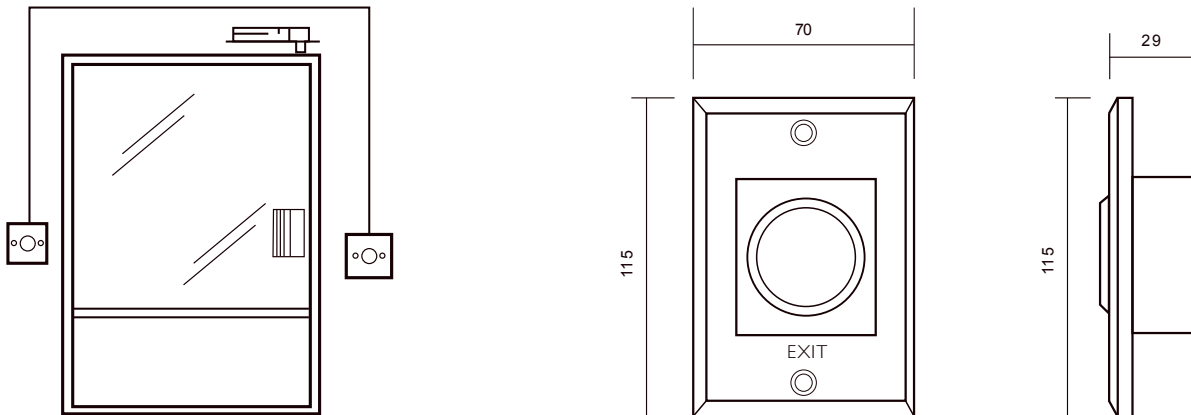
Infrared Sensor Exit Button



► Specification

- Size: 115L x 70W x 29H (mm)
- Suitable for Door: Hollow Door
- Input: DC12V
- Operating temp: --20°C+55°C(14-131F)
- Contact Rating: 12-28V,3A
- Suitable Humidity: 0-95% (relativa humidity)
- Output Contact: NO\NC\COM
- Detection range: 0.1-1 Ocm
- Mechanical Life: 500000 tests
- Weight: 0.18kg

► Dimension Diagram



► Installation

