

Aluminium Bracket for Narrow Door

Specification

Dimension: 210Lx42Wx48H(mm)

Standard Structure: High Strength Aluminum,
Sandblast Finished

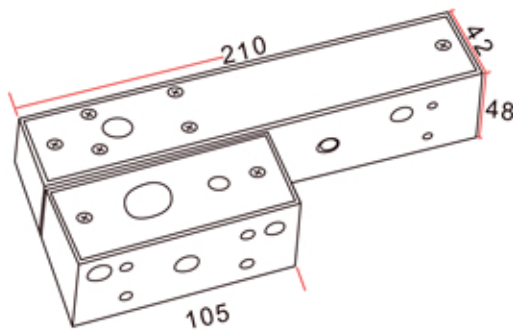
Suitable for Door: Inswing Door

Opening Mode: 90 or 180 Degree Door

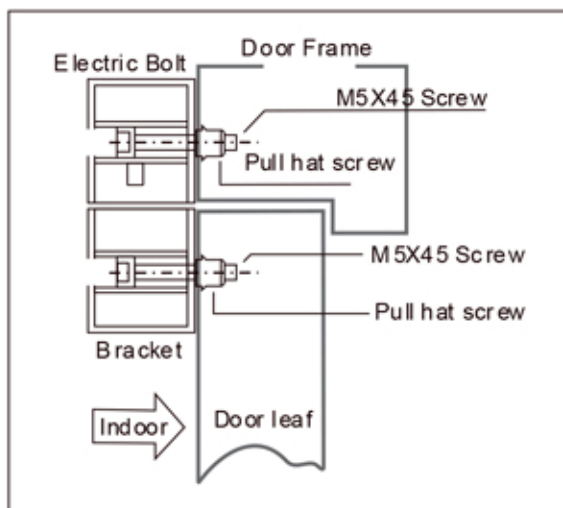
Finished for Shell: Anodized aluminum

Weight: 0.6kg

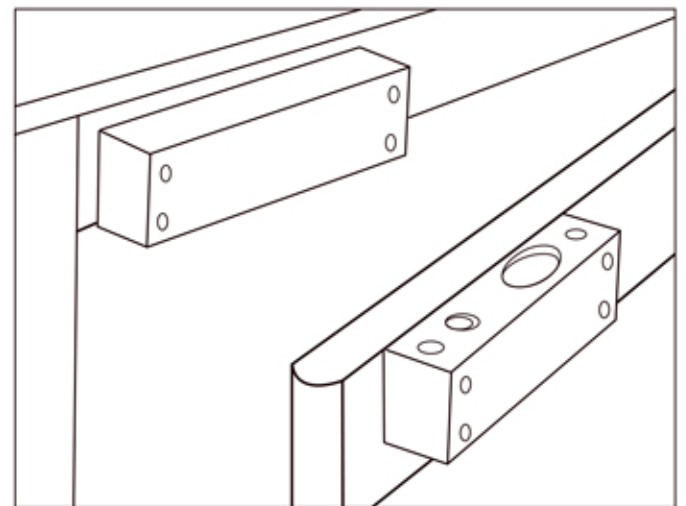
Dimension



Terminal & Wiring



Bracket Section View



Bracket Installation Diagram