

## AE-DI5052-G40P Industry Dashcam



- Support up to 5-channel video recording, 2-ch default and 3-ch extension.
- Front camera: 1620P, Rear camera: 1080P, Extension channel: 1080P.
- Built-in Microphone and Speaker, support two-way audio function.
- Support GPS/GLONASS/GALILEO and time, speed overlay on picture.
- Built-in Wi-Fi communication module, support AP access point.
- Built-in Bluetooth module, support connecting to third-party sensors.
- Built-in 4G module, support 2×NANO SIM card.
- Support 2 × Micro-SD card storage, each up to 1 TB. Support recording overwrite.
- Support preview, playback and editing parameters via APP.
- Support HCT, HCP and CMSV6 Platforms.
- Built-in 6-axis gyroscope sensor, start emergency video and video backup lock when the vehicle has a collision or severe vibration.
- Support 2-ch IO alarm input, 3-ch steering signal.
- Support Advanced Driving Assistance System (ADAS), Driver Status Monitoring (DSM), Driver Authentication, People counting.
- Support sentry mode, protect and monitor all-day parking.
- Easy installation and operation.

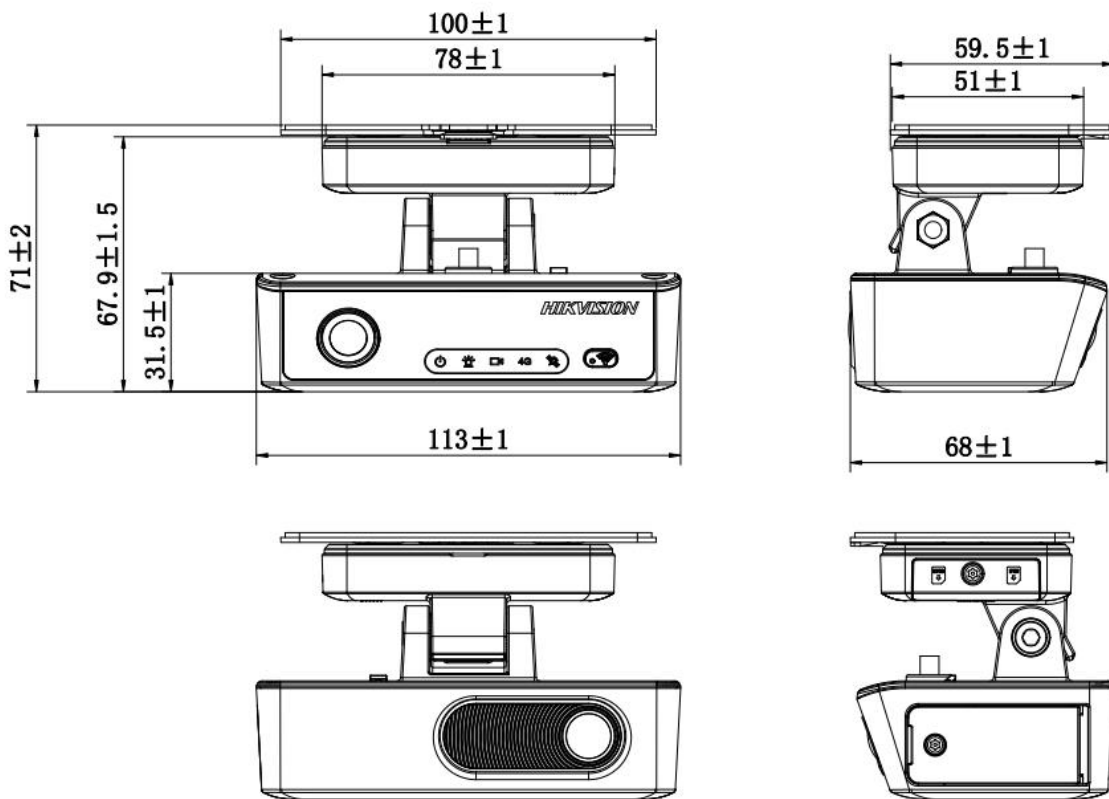
## ▪ Specification

Camera	
Image Sensor	Front view: 1/2.7" CMOS Rear view: 1/2.8" CMOS
Min. Illumination	Front view: 0.1 Lux Rear view: support IR
Shutter Speed	Front view: 1/30 s Rear view: 1/30 s
Lens	
Focal Length	Front view: 3mm Rear view: 2.28mm
Max. Aperture	Front view: F1.6 Rear view: F2.2
Lens Mount	Front view: M12 Rear view: M12
FOV	Front view: HFOV: 123° VFOV: 63° DFOV: 142°  Rear view: HFOV:145° VFOV:78° DFOV: 172°  Note: Horizontal, Vertical Tolerance±3°; Diagonal Tolerance±5°
Video Audio Input	
Video Input	5-Channel Video (Default: 2-Channel; Extension: 3-Channel)
Audio Input	2-Way, Built-In Sound Pickup
Video Audio Output	
Audio Output	1-Way, Built-In Speaker
Video Output	1-Way CVBS/TVI/AHD Video Output
Video Audio Decoding Parameters	
Main Stream Resolution	CH1: 2880 × 1620, 1920 × 1080 (default), 1280 × 720 CH2: 1920 × 1080, 1280 × 720(CH2 Default) Note: The default resolution of CH3-CH5 is decided by external camera.
Sub-Stream Resolution	CH1: 1280 × 720 (Default), 640 × 480 CH2~CH5: 640 × 480 (Default)
Main Stream Frame Rate	10 fps, 15 fps, 25fps, 30 fps available. The default CH1 is 25 fps, and CH2-CH5 is 15 fps.
Sub-Stream Frame Rate	10fps, 15fps, 25fps, 30 fps available, CH1-CH5 default 15 fps.
Video Compression Standard	H.264 (Default), H.265
Video Bit Rate	CH1: 20 Mbps, 16 Mbps, 8 Mbps, 4 Mbps (default), 2 Mbps, 1 Mbps CH2~CH5: 4 Mbps, 2 Mbps, 1 Mbps (default), 512 Kbps
Video Format	MP4
Audio Sampling Rate	G711U: 8kHz(Default) G711A: 8kHz AAC: 16kHz
Audio Compression Standard	AAC/G711u (Default)/G711A
Audio Bit Rate	G711U: 64 kHz (Default) G711A: 64 kHz AAC: 64 kHz
Two-Way Audio Compression Standard	AAC/G711u (Default)/G711A
Stream Type	PS Stream
Audio	
Built-in microphone.	Support
Internal Speaker	Support
Wireless Network	
Mobile Network	Europe: LTE-FDD: B1, B3, B5, B7, B8, B20, B28 LTE-TDD: B38, B40, B41 WCDMA: B1, B5, B8 GSM/EDGE:B3,B8

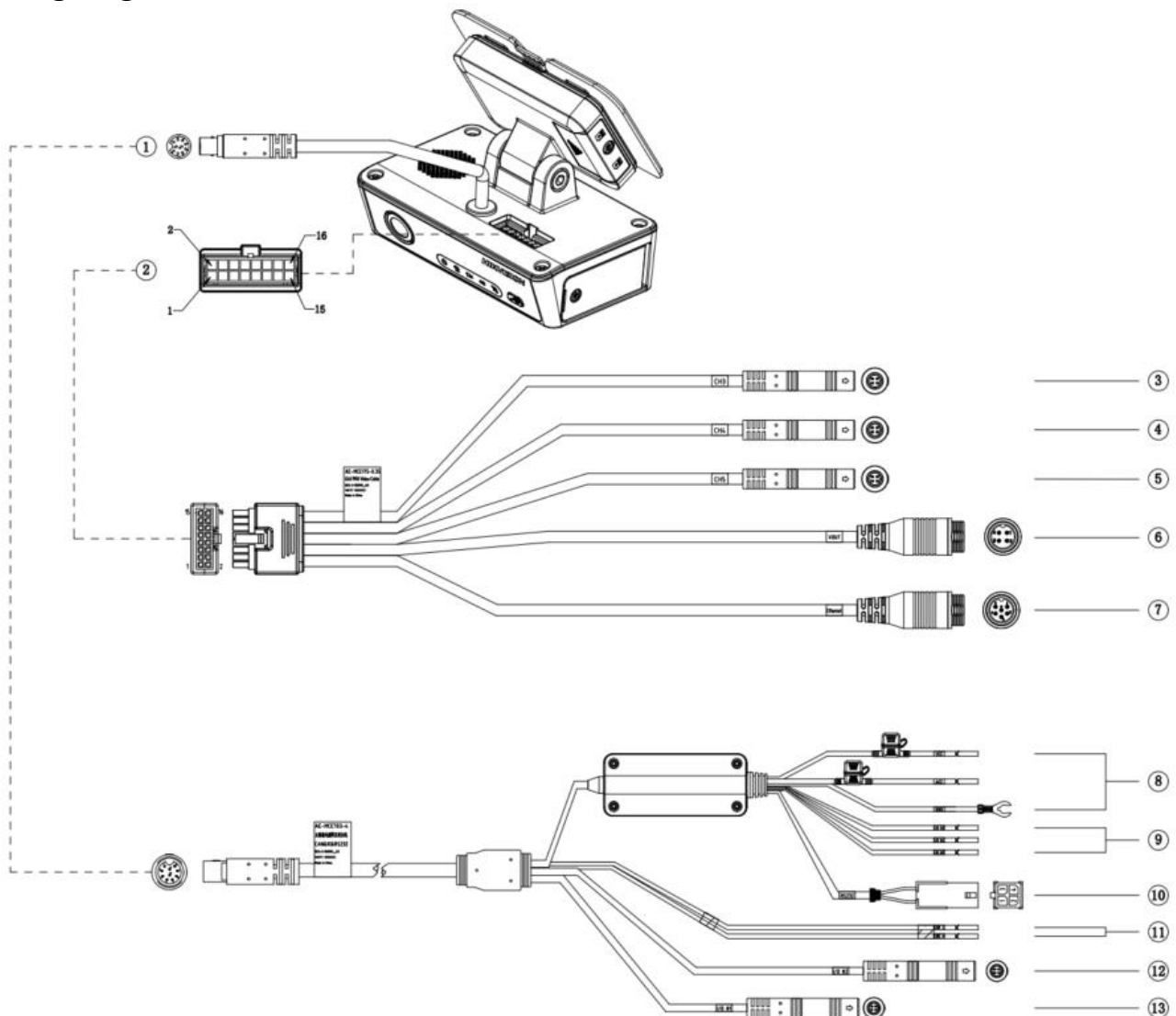
	<p>Latin America:            LTE-FDD: B1, B2, B3, B4, B5, B7, B8, B28, B66            LTE-TDD: B40            WCDMA: B1, B2, , B4, B5, B8            GSM/EDGE: B2, B3, B5, B8</p> <p>Warning: The device requires industrial SIM card. Normal SIM card is not allowed. We are not responsible for any problems caused by using any normal SIM card.</p>
<b>Image</b>	
Wide Dynamic Range	<p>Front view: Wide Dynamic Range            Rear view: Linear</p>
Signal to Noise Ratio	<p>Front view: 42dB            Rear view: 42dB</p>
OSD	Date, time, GPS latitude and longitude, speed, license plate, and channel name.
<b>Peripheral Interface</b>	
Alarm Input	2-Way Alarm(4pin BMW), 3-Way Steering(Half Stripped Lines)
CAN	1
SIM Card Slot	2 (plug-in type, support industrial-grade Nano SIM card, dual-card single waiting)
Network Interface	1 x 6-pin aviation header
<b>Interface</b>	
RS232	1
Power Supply Interface	1 (10pin BMW)
Reset Key	<p>1 (pinhole button)            Press (<math>\geq 1</math> sec &amp; <math>&lt; 5</math> sec) to reset the device to restart.            Press and hold the reset key (<math>\geq 5</math> sec) to restore the default parameter settings.</p>
Function Key	One Wi-Fi button. Short press to enable AP mode.
<b>Wireless Transmission</b>	
Wi-Fi Band	2.4 GHz
Wi-Fi Protocol	802.11 b/g/n
Wi-Fi Working Mode	AP, STATION
<b>Satellite Positioning</b>	
Positioning	<p>GPS (Global Positioning System)            GLONASS (Global Navigation Satellite System)            GALILEO (Galileo satellite navigation system)</p>
<b>Sensor</b>	
G-Sensor	6-Axis
<b>Location Algorithm</b>	
Inertial Navigation	Support
<b>Intelligent Function</b>	
Face Picture Comparison	Support

Advanced Driving Assistance System (ADAS)	<ul style="list-style-type: none"> <li>Forward Collision Warning (FCW)</li> <li>Lane Departure Warning (LDW)</li> <li>Pedestrian Collision Warning (PCW)</li> <li>Traffic Sign Recognition (TSR)</li> <li>Headway Monitoring Warning (HMW)</li> <li>Forward Car Leaving (FCL)</li> <li>Traffic Light Detection (TLD)</li> <li>Solid Lane Departure Warning(SLW)</li> </ul>
Driver Status Monitoring (DSM)	<ul style="list-style-type: none"> <li>Distraction Prompt</li> <li>Fatigue Driving (Closing Eyes)</li> <li>Fatigue Driving (Yawn)</li> <li>Phone Call</li> <li>Smoking</li> <li>Seatbelt Unbuckled</li> <li>Tampering</li> <li>IR Interrupted Sunglasses</li> </ul>
<b>General Standard</b>	
Product Dimension	113 mm × 71 mm × 68 mm (including mounting bracket).
Package Dimension	195 mm × 138 mm × 100 mm
Protection	IP4X (not water-proof)
Operating Temperature	-30 °C to 70°C
Operating Humidity	10% to 95% (non-condensing)
Storage Temperature	-40°C to 85°C
Product Weight	321 g (with mounting bracket)
With Package Weight	748 g
Storage	Supports dual TF card (up to 1TB each). Class 10 or above are recommended.
Image Format	JPEG
Indicator	<ul style="list-style-type: none"> <li>GNSS Indicator:</li> <li>Solid light: Normal;</li> <li>Not on: Abnormal;</li> <li>Record Indicator:</li> <li>Solid light: Recording normal;</li> <li>Not on: Recording exception</li> <li>4G indicator:</li> <li>Solid light: 4G signal is normal. Platform connected.</li> <li>Flashing: 4G signal is normal. Platform not connected.</li> <li>Not on: No 4G signal.</li> <li>Alarm Indicator:</li> <li>Flashing: Active Security Alarm</li> <li>Not on: Normal</li> <li>Power Status Indicator:</li> <li>Solid light: Device is on.</li> <li>Not on: Device is off.</li> <li>Wi-Fi Status Indicator:</li> <li>Solid light: Wi-Fi AP is on. App is connected.</li> <li>Flashing: Wi-Fi AP is on. APP is not connected.</li> <li>Not on. Wi-Fi AP is off.</li> </ul>
Power Supply	11.8 V~16 V/23.5 V-36 V
Power Consumption	Max: 15 W
Language	English, Turkish, Portuguese, Spanish, Russian
System	Embedded System

▪ Dimension (Unit: mm)



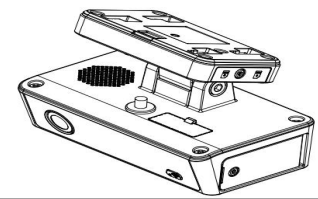
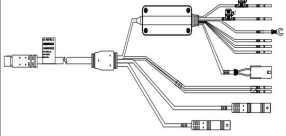
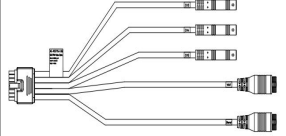


▪ Wiring diagram



No	Interface Name	Interface Form	Interface Definition	Description
1	POWER	10-pin BMW Head Socket Plug-In	1. ACC 2. CAN_L 3. CAN_H 4. 5V_OUT 5. I/O #2 6. I/O #1 7. RS232_TX 8. RS232_RX 9. GND 10. VCC	10-pin BMW female header connected to power cord.
2	Video Interface	16-pin male plug-in	1. RJ45_TXP 2. RJ45_TXN 3. RJ45_RXP 4. RJ45_RXN 5. AIN1 6. TVI_IN1 7. P12V0_CAM1 8. GND 9. P12V0_CAM2 10. TVI_IN2	16-pin male plug-in connected to video connection line 16-pin female plug-in.

			11. P12V0_CAM3 12. GND 13. GND 14. TVI_IN3 15. GND 16. CVBS_OUT	
3	CH3	4-pin BM Male Terminal	1. P12V0_CAM1 2. GND 3. TVI_IN1 4. AIN1	4-pin BM Male Terminal Connects to 4-pin BM Female Terminal Camera
4	CH4	4-pin BM Male Terminal	1. P12V0_CAM2 2. GND 3. TVI_IN2 4. NA	4-pin BM Male Terminal Connects to 4-pin BM Female Terminal Camera
5	CH5	4-pin BM Male Terminal	1. P12V0_CAM3 2. GND 3. TVI_IN3 4. NA	4-pin BM Male Terminal Connects to 4-pin BM Female Terminal Camera
6	Video Output	4-pin Air Head	1. NA 2. GND 3. NA 4. CVBS_OUT	4-pin aviation head port connection 4-pin aviation head female head display screen (additional power supply is required for display screen).
7	Network Interface	6-pin Air Head Public Head	1. RJ45_TXN 2. RJ45_TXP 3. NA 4. RJ45_RXN 5. RJ45_RXP 6. NA	6-pin aviation head port connection 6-pin aviation head female header network cable
8	VCC	Half Stripped Lines	/	VCC connects to vehicle power positive via the power connector.
8	ACC	Half Stripped Lines	/	ACC connections to vehicle ACC via the power connector.
8	GND	FORK Naked Terminal	/	GND connections to the ground line.
9	IO3/IO4/IO5	Half Stripped Lines	/	Connect the vehicle with the signal of left turning, right turning, and reverse turning.
10	RS232	MOLEX	1. 5V 2. GND 3. RS232_TXD 4. RS232_RXD	Reserved connection to permission.
11	CAN_L	Half Stripped Lines	/	Connect the vehicle body and transmit the data of the vehicle body.
11	CAN_H	Half Stripped Lines	/	
12	I/O #2	4-pin BMW Male Head	1. GND 2. I/O #2 3. NA 4. NA	Connects to arm button, separate capture and upload arm information to the platform connected.
13	I/O #1	4-pin BMW Male Head	1. GND 2. I/O #1 3. NA 4. NA	

### ▪ Packing list

No	Name	Quantity	Picture	Specifications
1	Dashcam	1		Dashcam Size:113 mm × 71 mm × 68 mm
2	Power cord	1		Line length:3.9m
3	Video line	1		Line length:0.35m
4	L-type wrench	1		T8 plum blossom with column M5 hexagon Size: 55mm*25mm
5	Install the bracket	1		Size:59.5mm*100mm

▪ **Available Model**

- AE-DI5052-G40 PRO US
- AE-DI5052-G40 PRO EU

**Headquarters**

No.555 Qianmo Road, Binjiang District,  
Hangzhou 310051, China  
T +86-571-8807-5998  
www.hikvision.com



Follow us on social media to get the latest product and solution information.

