

AE-VC583I-IS/P (V/H)



- 1/2.7" Progressive Scan CMOS
- 4mm/6mm/8mm/12mm/16mm fixed lens
- High quality imaging with 5 MP resolution
- Clear imaging against strong back light due to 120 dB true WDR technology
- Efficient H.265+ compression technology
- Water and dust resistant (IP68&IP69K) and vandal proof (IK10)
- Advanced streaming technology that enables smooth live view and data self-correcting in poor network
- 3D DNR technology delivers clean and sharp images
- The network camera can identify license plates in the Asia-Pacific region, the Middle East, Europe, Africa and the Americas

▪ Specification

Camera	
Sensor	1/2.7" Progressive Scan CMOS
Resolution	5MP
Min. Illumination	Color: 0.01 Lux @ (F1.6, AGC ON), 0 Lux with IR
Slow Shutter	No
Wide Dynamic Range	120 dB
Day & Night	IR cut filter
Angle Adjustment	Tilt: -25° to +55°
Power-off Memory	Yes
P/N	P/N
Protection Level	IP68(IEC 60529-2013), IP69K (ISO 20653: 2013), IK10 (IEC 62262: 2002)
Lens	
Focal Length & FOV	8mm/12mm/16mm fixed lens 8mm:Horizontal FOV 37°, vertical FOV 28°, diagonal FOV 46° 12mm:Horizontal FOV 28°, vertical FOV 10°, diagonal FOV 30° 16mm:Horizontal FOV 17°, vertical FOV 13°, diagonal FOV 22°
Lens Mount	M12
Aperture	F1.6
Illuminator	
IR Wavelength	850 nm
IR Range	Up to 20 m IR range
Video	
Max. Resolution	2560 × 1920
Main Stream	50 Hz: 25 fps (2560 × 1920, 1920 × 1080, 1280 × 720); 60 Hz: 30 fps (2560 × 1920, 1920 × 1080, 1280 × 720)
Sub-Stream	50 Hz: 25 fps (704 × 576, 640 × 480) ; 60 Hz: 30 fps (704 × 480, 640 × 480)
Third Stream	50 Hz: 25 fps (1280 × 720)
Video Compression	Main stream: H.265/H.264/H.265+/H.264+ Sub stream: H.265/H.264/H.265+/H.264+ Third stream: H.265/H.264/H.265+/H.264+
H.264 Type	Baseline Profile/Main Profile/High Profile
H.265 Type	Main Profile
Bit Rate Control	Constant Bit Rate, Variable Bit Rate
Video Bit Rate	First stream: 512 bps-16384 bps Second stream: 256 bps-4096 bps Third stream: 256 bps-4096 bps
Network	
Protocols	TCP/IP, ICMP, HTTP, HTTPS, FTP, DHCP, DNS, DDNS, RTP, RTSP, RTCP, NTP, IGMP, QoS, UDP
Simultaneous Live View	Up to 10 channels
API	ONVIF (PROFILE S), ISAPI, SDK
Security	Password protection, complicated password, HTTPS encryption, IP address filter, basic and digest authentication for HTTP/HTTPS

Web Browser	IE10+, Chrome45+,Edge41+,Firefox45+ (image download only available on IE)
Image	
Image Settings	Saturation, brightness, contrast, sharpness are adjustable by client software or web browser
Day/Night Switch	Day/Night/Auto/Schedule
Image Enhancement	BLC, 3D DNR
Interface	
On-Board Storage	eMMC 8 GB
Supplement Light Unit	
Communication Interface	-RJ45: 1 RJ45 10M/100M Ethernet port, 1Φ5.5mm coaxial power plug,1 alarm in,1 alarm out; -4pin: M12-D aviation plug, 1 molex power plug,1 alarm in,1 alarm out; -6pin: 6pin aviation plug for power supply,1 alarm in,1 alarm out;
General	
Power Supply	DC: 9~36 V & PoE 802.3 af, 36-57 V
Power Consumption	9 W MAX
Camera Material	Metal
Camera Dimension	Camera: 113mmx72mmx68mm(4.45"x2.83"x2.68")
Storage Conditions	-30 °C to +75 °C (-22 °F to +167 °F), Humidity 95% or less (non-condensing)
Startup and Operating Conditions	-30 °C to +75 °C (-22 °F to +167 °F), Humidity 95% or less (non-condensing)
Weight	622 g ± 5 g
Language	English
General Function	Anti-flicker, heartbeat, mirror, password protection, watermark, IP address filter
Approval	
EMC	FCC (47 CFR Part 15, Subpart B); CE-EMC (EN 55032: 2015, EN 61000-3-2: 2014, EN 61000-3-3: 2013, EN 50130-4); RCM (AS/NZS CISPR 32: 2015); IC (ICES-003: Issue 6, 2016);
Safety	CB (IEC 60950-1: 2005 + Am 1: 2009 + Am 2: 2013); CE-LVD (EN 60950-1: 2005 + Am 1: 2009 + Am 2: 2013); LOA (IEC/EN 60950-1);

▪ Available Model

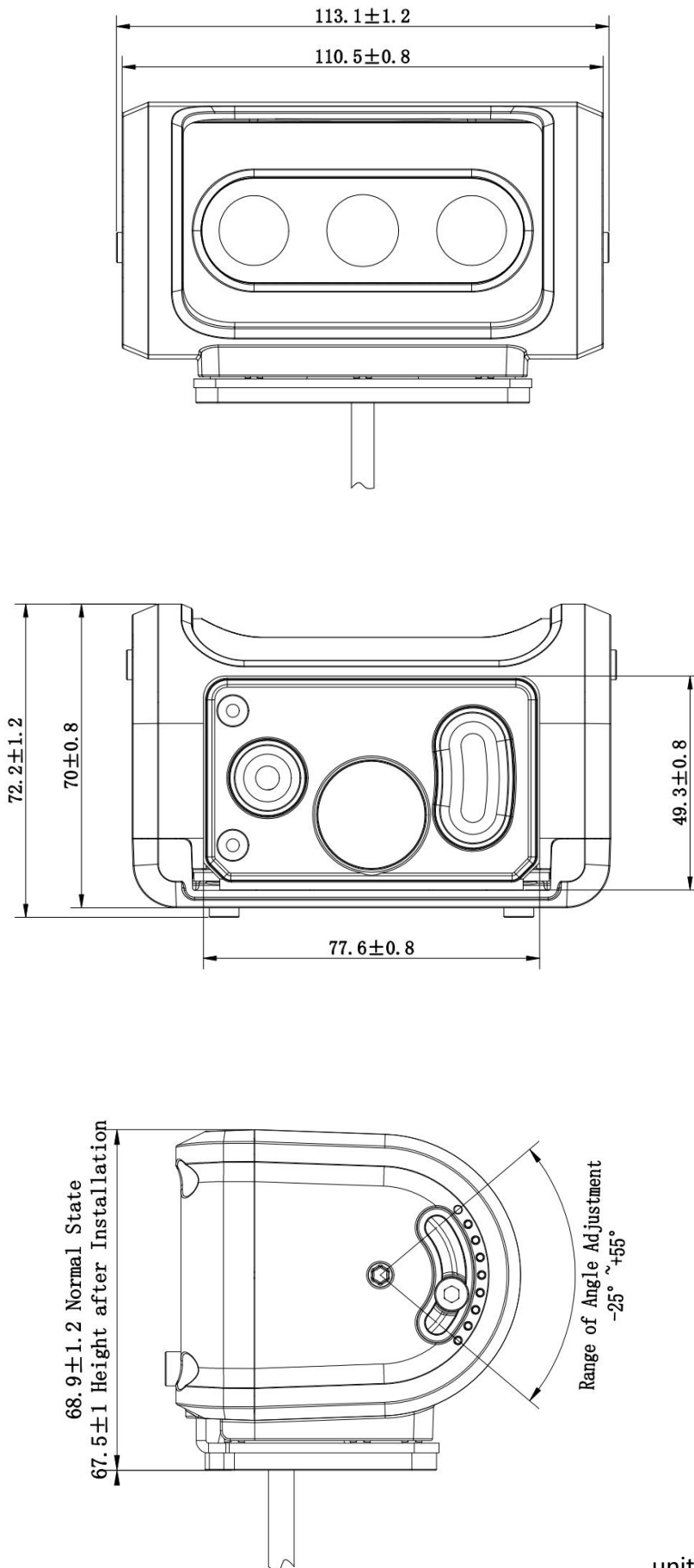
AE-VC583I-IS/P(H)(M12)(8/12/16mm)(O-STD)

AE-VC583I-IS/P(V)(M12)(8/12/16mm)(O-STD)

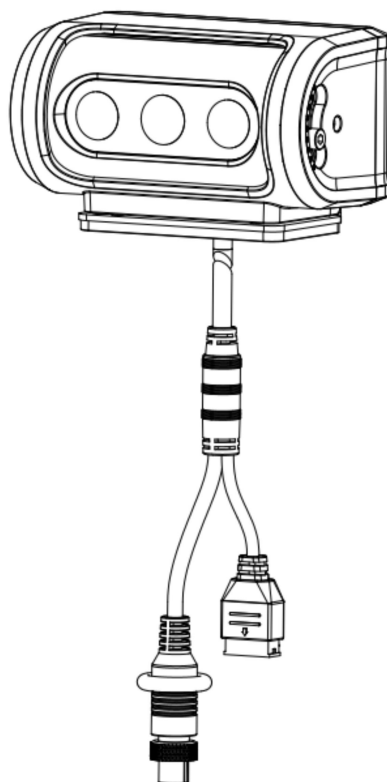
AE-VC583I-IS/P(H)(RJ45)(8/12/16mm)(O-STD)

AE-VC583I-IS/P(V)(RJ45)(8/12/16mm)(O-STD)

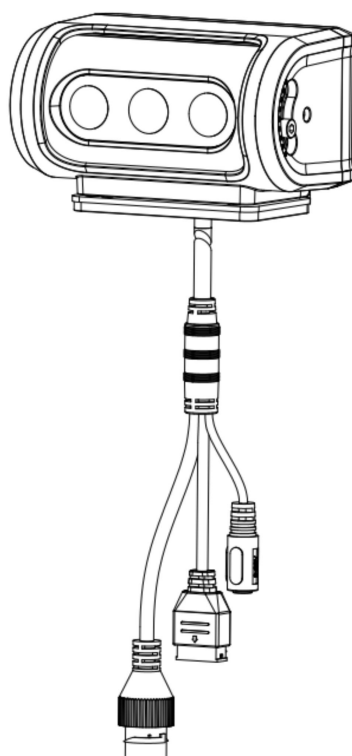
▪ Dimension



unit: mm



-4pin: M12-D aviation plug, 1 molex power plug



-RJ45: 1 RJ45 10M/100M Ethernet port,
1Φ5.5mm coaxial power plug

Headquarters

No.555 Qianmo Road, Binjiang District,
Hangzhou 310051, China
T +86-571-8807-5998
www.hikvision.com



Follow us on social media to get the latest product and solution information.

