

AE-VC215I-ISF Mobile Mini Dome



- High quality imaging with 2 MP resolution
- Water and dust resistant (IP66) and vandal proof (IK08)

▪ Specification

Camera	
Sensor	1/2.8"CMOS Progressive Scan
Resolution	1920×1080
Min. Illumination	0.01Lux @ (F1.2, AGC ON), 0 Lux with IR
Shutter Speed	1/3 s to 1/100,000 s
Wide Dynamic Range	105 dB
Day&Night	Electronic Day to Night
Angle Adjustment	Pan: -50°~+50° Tilt: 0°~60°
Protection Level	IP66, IK08
Lens	
Lens Type	2mm/2.8mm/4mm
Focal Length & FOV	2mm: Horizontal FOV: 132°, Vertical FOV: 77°, Diagonal FOV: 152° 2.8mm: Horizontal FOV: 105°, Vertical FOV: 56°, Diagonal FOV: 126° 4mm: Horizontal FOV: 87°, Vertical FOV: 44°, Diagonal FOV: 104°
Lens Mount	M12
Aperture	2mm: F2.25 2.8mm/4mm: F1.67
Focus	Manual
Illuminator	
IR Range	Up to 3 m
IR Wavelength	850 nm
Supplement Light Type	Infrared
Video	
Main Stream	50Hz: 25 fps (1920×1080, 1280 x 960, 1280×720) 60Hz: 30 fps (1920×1080, 1280 x 960, 1280×720)
Sub-Stream	50Hz: 25 fps (704×576, 640×480, 352×288, 320×240) 60Hz: 30 fps (704×576, 640×480, 352×288, 320×240)
Video Bit Rate	256 Kbps-6 Mbps
H.264 Type	Baseline profile/Main Profile
H.265 Type	Main Profile
Bit Rate Control	CBR, VBR
Stream Type	Main Stream, Sub Stream
Region of Interest (ROI)	2 area (Main Stream, Sub Stream)
Frame Rate	P (50Hz): 25 fps N (60Hz): 30 fps Default 25 fps
Audio	
Audio Compression	Support G711U, G711A, G726_A, AAC, G722_1, PCM, Default AAC
Audio Bit Rate	64 kbps
Audio Sampling Rate	16 kHz
Network	
Protocols	TCP/IP, ONVIF, HTTP, HTTPS, DHCP, RTSP, QoS
Simultaneous Live View	Up to 6 channels
API	ONVIF (PROFILE S/G/T), ISAPI, DNS, TCP/IP, UDP, ICMP, NTP

User/Host	Up to 16 users of 3 levels of user authority: administrator, operator and common user
Web Browser	IE8+, Chrome57+, Edge16+, Firefox 52+
Image	
Image Settings	Brightness, contrast, saturation and sharpness can be adjusted via browser and client program
Day/Night Switch	Day, Night, Auto, Scheduled
Wide Dynamic Range (WDR)	105 dB
SNR	> 50 dB
Image Enhancement	2D DNR, 3D DNR
Backlight Compensation (BLC)	Support BLC adjustment of up, down, left, right, and center area and customized BLC.
Others	Support customizing 3 lines OSD
Interface	
Ethernet Interface	RJ45: 10 M/100 M self-adaptive Ethernet port M12: M12-D code Aviation plug
Audio	Built-in MIC
Reset Key	Built-in Reset
Event	
Basic Event	Disk full
Linkage	Notify Monitoring Center
General	
Camera Material	Front Cover: plastic Base: metal
Screw Material	SUS, Carbon steel coating
Camera Dimension	Φ97 × 62 mm (Φ3.82" × 2.44")
Package Dimension	111 × 111 × 95 mm (4.37" × 4.37" × 3.74")
Camera Weight	RJ45: Approx. 260 g (0.57 lb.) M12: Approx. 255 g (0.56 lb.)
Startup and Operating Conditions	-30°C to 75°C (-22°F to 167°F). Humidity 95% or less (non-condensing)
Power	RJ45: 0.556-0.139 A, Max. 5 W M12: 0.139-0.088 A, Max. 5 W
Power Supply	RJ45: DC (9~36 V) M12: PoE (802.3af, 36~57 V)
Language	English
General Function	Anti-flicker, heart beat, mirror, password protection
Power Interface	RJ45: 2 Pin Terminal Block Plug M12: 4-Core aviation plug
Cable Length	50 cm
Selection Parameter	
On-Board Storage	Built-in Micro SD/Micro SDHC/Micro SDXC Slot, up to 256 GB not for baseline. Note the Micro-SD card capacity when ordering)
Video Compression	H.264 (Main Stream, Sub Stream) H.265 (Main Stream, Sub Stream) MJPEG (only Sub Stream)

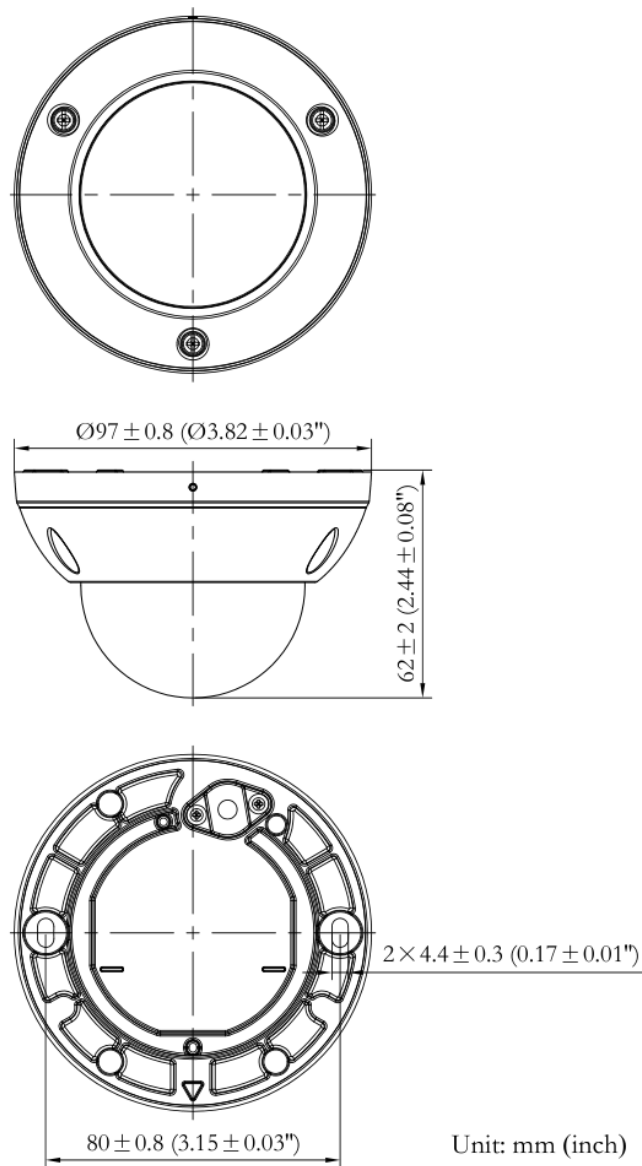
Approval	
EMC	CE-EMC (EN 55032: 2015, EN 61000-3-2: 2014, EN 61000-3-3: 2013, EN 50130-4: 2011 +A1: 2014)
Safety	CE-LVD (EN 60950-1: 2005 + Am 1: 2009 + Am 2: 2013); BIS
Environment	CE-RoHS (2011/65/EU)
Protection	IP66 (IEC 60529-2013)

▪ **Available Model**

AE-VC215I-ISF(2/2.8/4mm)(M12)

AE-VC215I-ISF(2/2.8/4mm)(RJ45)

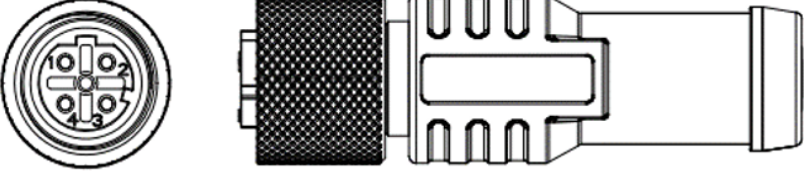
▪ **Dimension**



▪ **Cable Description**

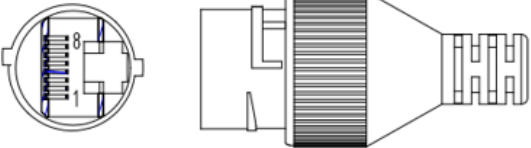
M12:

4-Core Interface

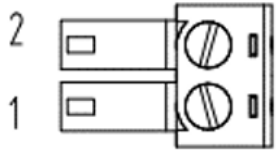
Illustration	Pin No.	Pin Description
	1	IPC_TX+
	2	IPC_RX+
	3	IPC_TX-
	4	IPC_RX-

RJ45:

RJ45 Interface

Illustration	Pin No.	Pin Description
	1	IPC_TX+
	2	IPC_TX-
	3	IPC_RX+
	6	IPC_RX-

2Pin Terminal Block Plug

Illustration	Pin No.	Pin Description
	1	IPC_POWER
	2	IPC_GND

Headquarters

No.555 Qianmo Road, Binjiang District,
Hangzhou 310051, China
T +86-571-8807-5998
www.hikvision.com



Follow us on social media to get the latest product and solution information.

