

AE-MD7083**AE-MD7083**

AE-MD7083 series DVR is a professional solution to vehicle video and audio management with built-in Linux operating system. It supports CVBS video and audio output, featuring HD encoding/decoding, transmission based on 4G wireless network, satellite positioning, secure data storage, HDD vibration absorber, alarm input/output, driving information collecting and ports added for peripheral devices. It provides camera selection and coding solutions specialized in video and audio recording management for public transports, school buses, taxis, learner-driven vehicles, trucks, etc. The product also supports extended features like Driving Status Monitoring (DSM), Advanced Driving Assistance System (ADAS), Blind Spot Detection (BSD) and Driver Identification (DI), which can improve traffic security and reduce the vehicle accident.

- 8-ch IP cameras extendable via POE switch, 8-channel analog HD camera access.
- Up to 2MP resolution of H.264/H.265 compression for each IP camera.
- Pluggable 2 × 2.5 inch HDD/SSD, SSD up to 4 TB, HDD up to 2TB
- User-friendly GUI providing easy and flexible operations.
- Pluggable 4G module and Wi-Fi module providing flexible data transmission solutions.
- Built-in GPS module precisely positioning the vehicle via the satellite and recording the location information in the video stream.
- Information collection interfaces collecting driving information such as left/right turn, braking, reversing, etc.
- Specialized aviation connectors ensuring signal stability.
- Shutdown delay (0 h to 6 h) and 24-hour scheduled startup/shutdown.
- Build-in super-capacitor prevents the mobile DVR from damage caused by sudden power outage.
- Wide-range power input (+9 VDC to +36 VDC).
- Power-off protection prevents key data loss.
- Aluminum die-cast chassis with no fan design well adaptable to working environment.
- Software-based firewall supported.
- Support accessing via WEB browser.
- Support recording backup on redundant HDD/SSD.
- Up to 4 AI features can be run at the same time: ADAS, DSM, DI, and BSD-R

▪ Specification

Video/Audio Input	
Analog Camera	8-ch HIK wiring sequence analog camera, Max. 1080P
IP Camera	8-ch IP cameras , extendable via POE switch
Two-way Audio	1, integrated in EXT.DEV interface
Video/Audio Output	
Audio Output	1, integrated in EXT.DEV interface
Video Output	Main output: 1, integrated in EXT.DEV interface Aux output : 1 , 4-pin aviation connector VGA: 1
Encoding/Decoding Parameters	
Video Compression	H.265,H.264
Audio Compression	G.711a/G.711u/G.722.1/G.726
Audio Bit Rate	16 Kbps to 64Kbps
Stream Type	Video, video & audio
Dual Stream	Supported
Frame Rate	PAL: 1 to 25 fps; NTSC: 1 to 30 fps
Encoding Resolution	Main stream: 1080P/720P/WD1/4CIF Sub-stream: 720P/WD1/4CIF/2CIF/CIF
Wireless Network	
Dial-up	1 × 4G card slot, 1×FAKRA antenna 5G module(optional)
Storage	
SD Card Storage	1 × SD card, up to 512 GB (not for baseline. Note the SD card capacity when ordering)
HDD/SDD	2 × 2.5 inch HDD/SSD, SSD up to 4 TB,HDD up to 2TB HDD/SSD data can be exported locally via this converter (optional) Hard Disk Case with heating function (optional)
Auxiliary Interface	
Wi-Fi	WI2.4G model: 1 × 2.4 G Wi-Fi SMA antenna, WI5.8G model: 2 × 5.8 G Wi-Fi SMA antenna (Optional. 802.11B/G/N and 802.11AC are selectable. 1 antenna is needed for 802.11B/G/N module. 2 antennas are needed for 802.11AC module.)
Network Interface	Front panel :1 ×10M/100M RJ45 Rear panel: 1 × 10M/100M/1000M RJ45
Serial Port	3 × RS-232(harness is optional). 2 × RS-485. 1 × RS-485 (integrated in EXT.DEV interface)
USB Interface	Front panel: 1 × USB 3.0 Rear panel: 1 × USB 2.0 (5-pin aviation connector)
Sensor-in	4 high/low level signal inputs
Alarm Input	4 high/low level signal inputs, 1 pulse signal input, 1 BUTTON input
Alarm Output	2 relay signal outputs
CAN Interface	2

Positioning	
GNSS (Global Navigation Satellite System)	GPS (Global Positioning System) & GLONASS (Global Navigation Satellite System), 1 xFAKRA antenna
Sensor	
G-Sensor	Built-in
Smart Function	
Advanced Driving Assistance System (ADAS)	Supports detection and alerts for FCW/LDW/SLW/HMW/PCW/TSR
Driving Status Monitoring (DSM)	Supports detection and alerts for distraction/fatigue/calling/smoking/unfastened seat belt/yawning/absence from post/IR-blocking sunglasses/occlusion, with switchable A-pillar algorithm and formal attire algorithm
Blind Spot Detection (Right)	Supports right blind spot detection and alerts
Driver Identification	Supports driver modeling, driver detection & comparison, driver change alerts, abnormal identity detection & reporting, and attendance tracking
General	
Power Supply	+9 to +36 VDC
Power Consumption	Standby: ≤ 0.5 W Full load: ≤ 75 W Note: Without peripheral and storage media ≤ 20 W
Operating Temperature	-25 °C to +70 °C (-13 °F to +158°F)
Operating Humidity	10% to 95% (non-condensing)
Operation Method	Mouse, IR remote control, Web control, and display screen
Product Dimension	202 × 267.6 × 93.9 mm (7.95 × 10.54 × 3.7 inch)
Weight (Without Storage Media)	3.31 kg (7.3 lb)

▪ Typical Application

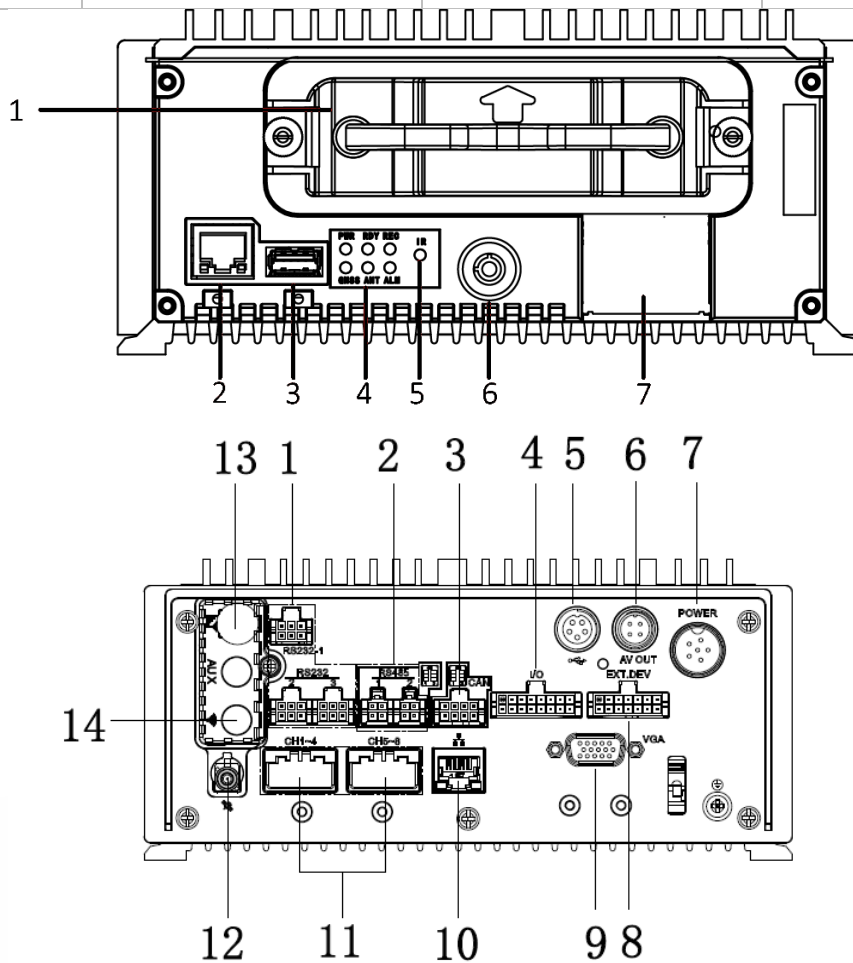
Anti-corrosion Performance	Application
Professional	Coastal areas, wharfs, ports, ships and chemical factories, etc.
High	Areas exposed to acid rain; areas over 1.24 miles (1 km) away from the coastline
Standard	Regular environment with little corrosion exposure

▪ Physical Interface

Front Panel and Rear Panel

No.	Name	No.	No.
1	Dummy HDD/SSD	4	Power indicator
2	10M/100M RJ45 Ethernet interface	4	Ready indicator
3	USB 3.0 interface	4	Record indicator
5	IR receiver	4	GNSS indicator
6	Lock/Unlock the hard disk box	4	ANT indicator
7	SD card slot	4	Alarm indicator
No.	Name	No.	Name

1	RS-232 interface	9	VGA video output interface
2	RS-485 interface	10	1 × 10M/100M/1000M RJ45 Ethernet interface
3	CAN interface	11	1-8 way audio and video cable
4	I/O interface: 4-ch alarm inputs, 4-ch sensor in; 1-ch pulse signal input	12	GNSS antenna interface
5	USB interface of 5-pin aviation plug	13	4G dialing antenna interface
6	CVBS video output	14	Wi-Fi antenna interface
7	6-pin aviation plug for power supply		
8	EXT.DEV interface: RS-485 communication interface, two-way audio interface, and CVBS video output		



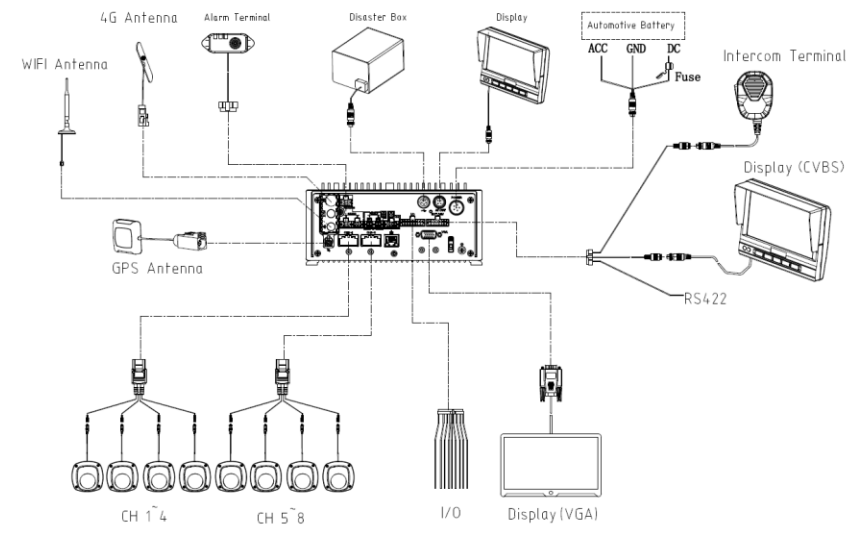
▪ **Installation Recommendation**

Packing List

Description	Quantity
Fuse	2

Power cord	1
Key	1
Alarm line	1
Extension cable	1
1-4 way audio and video cable	1
5-8 way audio and video cable	1
GPS antenna	1

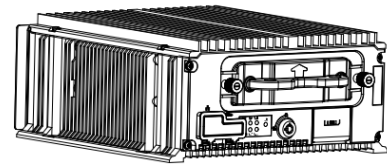
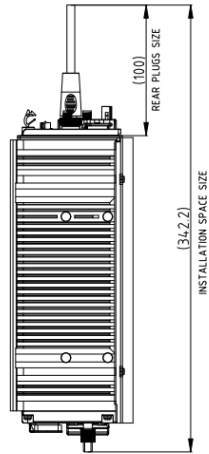
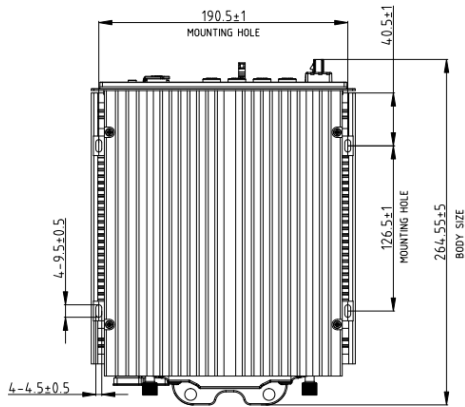
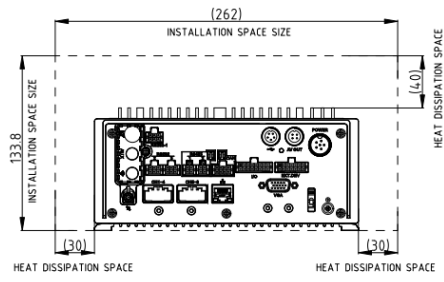
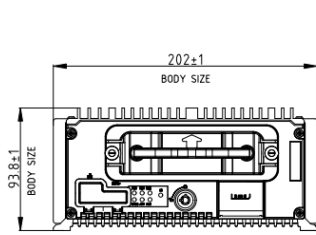
▪ Wiring



▪ Available Model

- AE-MD7083(1T/SSD)
- AE-MD7083
- AE-MD7083(KAZ ERG)
- AE-MD7083(RUS Euromobile)
- AE-MD7083(NED Arriva itxpt)
- AE-MD7083(UK Custom)

▪ Dimension



See Far, Go Further



www.hikvision.com
support@hikvision.com

