

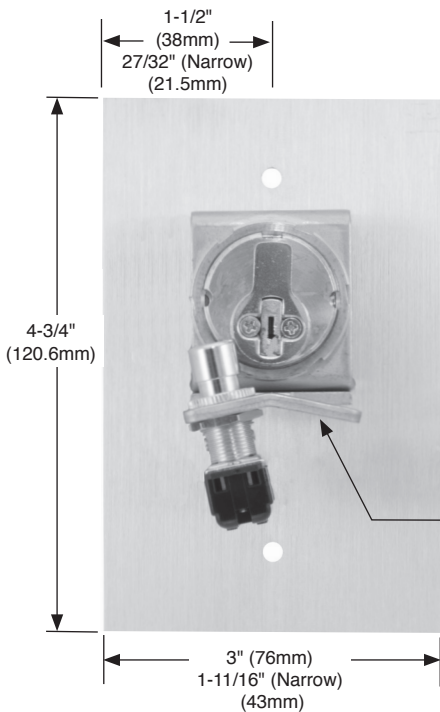


In or Out... we make it Easy!

Instructions

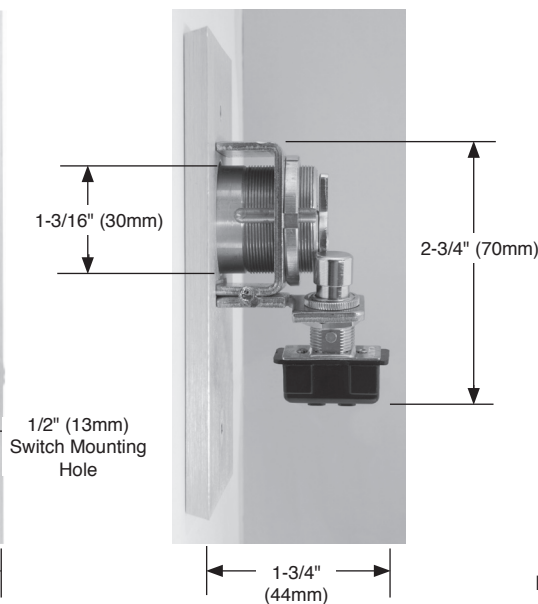
1. Place the mortise cylinder through the 1-3/16" hole in the center of the aluminum faceplate.
2. Mount the cylinder/switch bracket on the reverse side of the faceplate as shown in the profile photos below. Make sure that the teeth are positioned inside the grooves along the cylinder. Attach the cylinder nut to fasten.
3. Insert the switch(es) into the 1/2" holes located on the bracket below the cylinder. For ideal installation thread the top nut an 1/8" down and tighten bottom nut using a 9/16" wrench.
4. Make wire connections per illustrations below.
5. Fasten keyswitch to electrical box with the tamper-proof 6-32 machine screws and spanner hand tool supplied.

Rear Profile

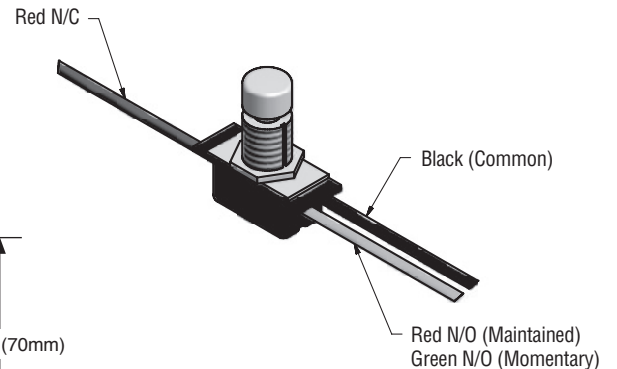


Narrow Style = 960N

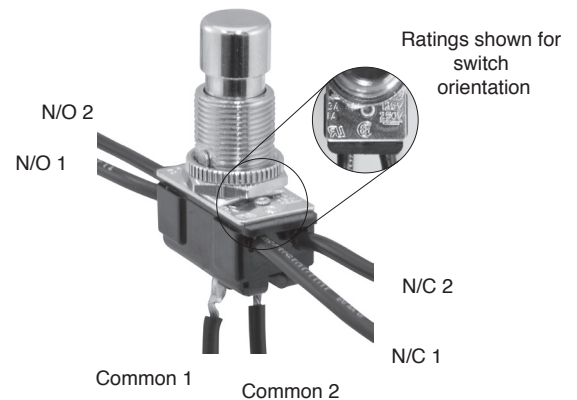
Side Profile



SPDT Wire Connection



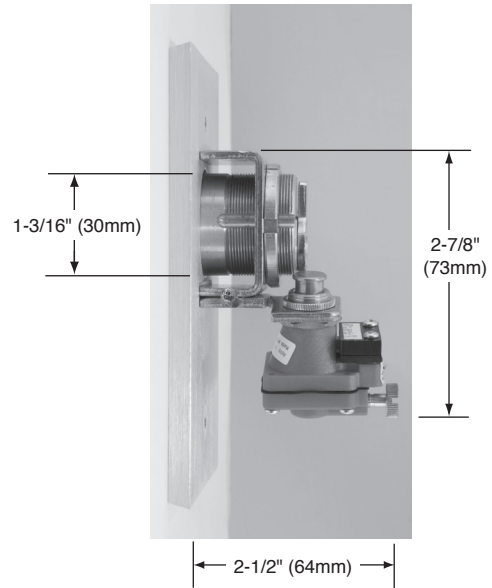
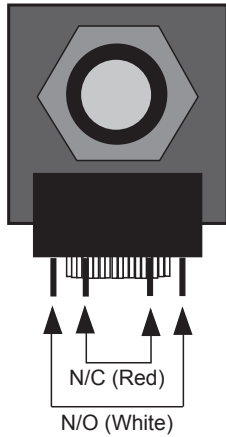
Optional DPDT Switch Connection



960 Keyswitch Wiring Instructions

960 Pneumatic Time Delay Installation

- Follow the same mounting steps 1 thru 3 as the momentary and maintained switches on the front.
- Make wire connections as shown below.



- Fasten keyswitch to electrical box with the tamperproof 6-32 machine screws and the spanner hand tool supplied.

Specifications

- Time Range:** 2 to 60 seconds
Switch Rating: 10AMP @ 125-250VAC
Terminals: Solder type – Flying leads
Temperature Range: +15° to 120°F (-9° to +49°C)

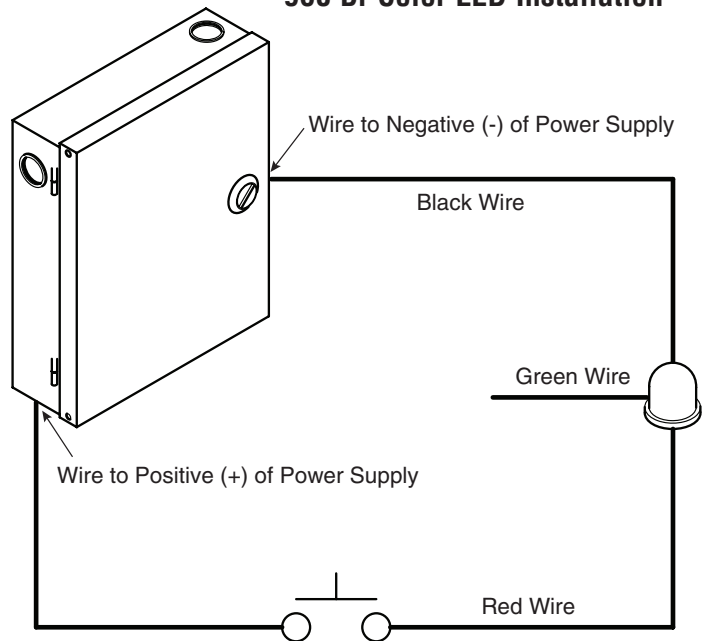
To Decrease Time Delay:

Use slot screwdriver and turn time adjustment knob counter clockwise.

To Increase Time Delay:

Use slot screwdriver and turn time adjustment knob clockwise.

960 Bi-Color LED Installation



NOTE: To wire LED for green light instead of red light — disconnect red wire from switch point and connect green wire.

Description	Switch Mode	Switch Configuration	Switch Rating	Standard Finish
960-MO Key Switch	Momentary Action	SPDT N/O & N/C	3A @ 125 VAC/VDC & CSA 1A @ 250 VAC/VDC & CSA	28 or 40
960-TD Key Switch	2 to 60 seconds	1 x SPST N/O and 1 x SPST N/C	10A @ 125-250 VAC & CSA	28 or 40
960-MA Key Switch	Maintained Action	SPDT N/O & N/C	3A @ 125 VAC/VDC & CSA 1A @ 250 VAC/VDC & CSA	28 or 40

NOTE: Specifications are subject to change without notice.