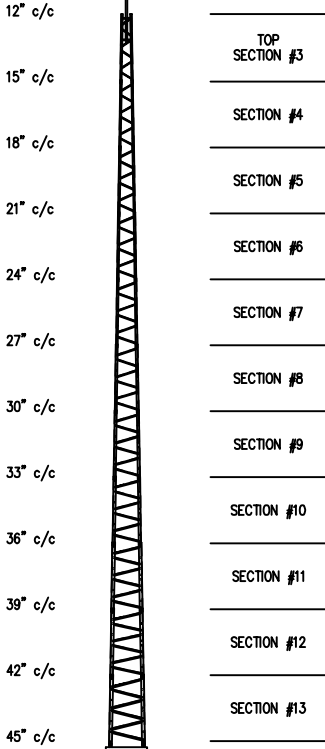


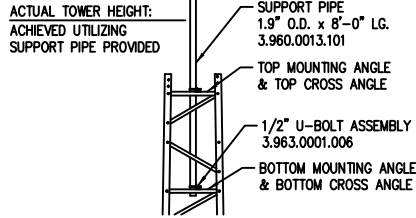
88' T300 TITAN TOWER

(P/N 4.95.0310.000)

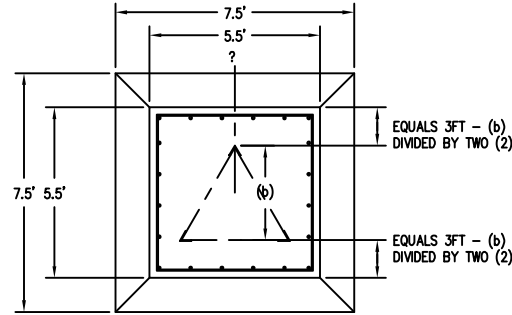


- TOP SECTION #3
- SECTION #4
- SECTION #5
- SECTION #6
- SECTION #7
- SECTION #8
- SECTION #9
- SECTION #10
- SECTION #11
- SECTION #12
- SECTION #13

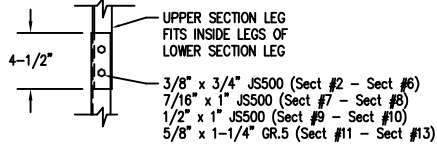
TOP ELEVATION



FOUNDATION DESIGN (NORMAL DRY SOIL)



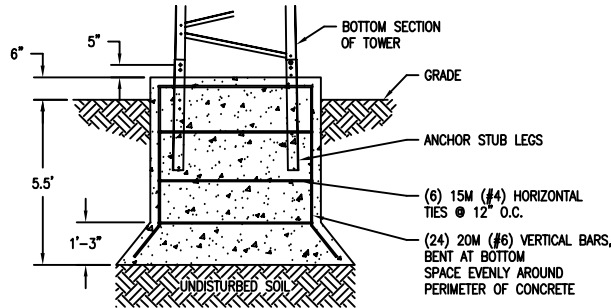
SECTION SPLICE



MAXIMUM ALLOWABLE ANTENNA AREA

SURVIVAL DESIGN NO ICE (ROUND/FLAT)

70mph WIND	85mph WIND	100mph WIND
22/15 (sqft)	6/4 (sqft)	--/--



FOUNDATION LOADS:
MAX. OVERTURNING MOMENT (K*FT) = 105.00
MAX. SHEAR (kips) = 3.0
DESIGN UPLIFT PER INDIVIDUAL LEG (kips) = 32.0

CONCRETE VOLUME:
7.0 CUBIC YARDS

REV.	BY:	CHK:	DESCRIPTION	DATE

REFERENCE DRAWINGS:

DRAWING NUMBER	DRAWING NUMBER

CONFIDENTIAL: ALL INTELLECTUAL PROPERTY RIGHTS HEREIN ARE THE PROPERTY OF TRYLON INC. ALL DUPLICATION, RECORDING, DISCLOSURE OR USE IS PROHIBITED WITHOUT WRITTEN CONSENT OF TRYLON INC. CUSTOMER:

Trylon

DRAWING NO. 000001.610.0105

SITE: SCALE: 135,000

DATE: 08 MAR 07 BY: MRH CHK: CR APP: JB

TITLE: 88' T300 TITAN TOWER

- 1) PRE-ASSEMBLED PART NUMBER 4.95.0310.000.
- 2) MAX. ANTENNA LOADS ARE CENTRALLY LOCATED AND BALANCED, 3FT OR LESS ABOVE THE TOWER TOP.
- 3) "SURVIVAL" DESIGN IN NOT THE SAME AS EIA-222. FOR EIA COMPLIANCE SEE OUR SUPERTITAN MODELS.
- 4) MINIMUM 32ksi YIELD FOR ALL COMPONENTS.
- 5) CONSTRUCTED FROM PASSIVATED G-90 COAT GALVANIZED STEEL SHEET.
- 6) TOWERS COME ASSEMBLED IN 8FT SECTIONS.
- 7) TOP SUPPORT PIPE IS INCLUDED.
- 8) FOR OPTIONAL ROCK BOLT FOUNDATION SEE DWG 000001.610.0033 AND 000001.610.0021.