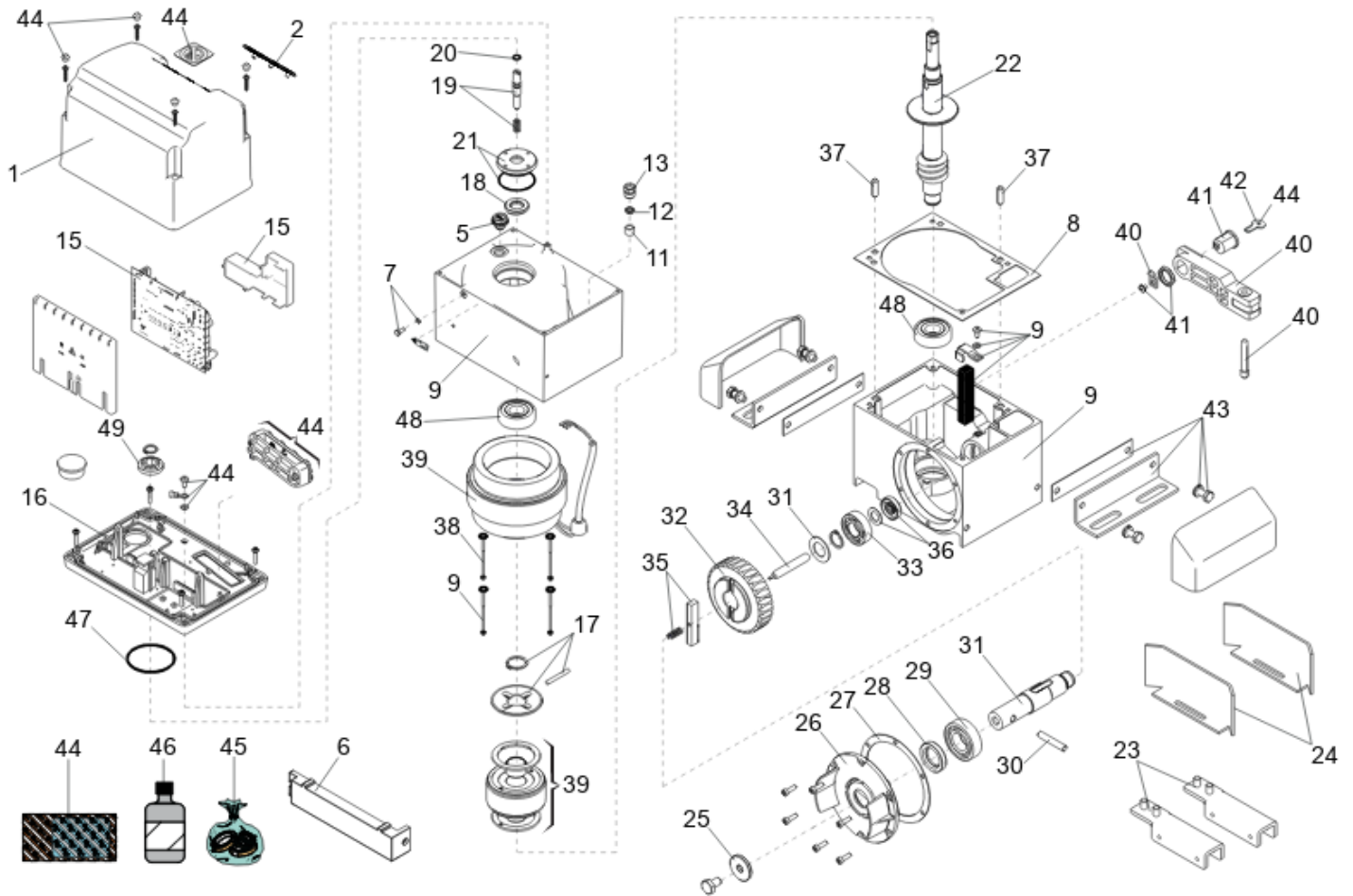


844 ER 3PH



Pos.	Code	EAN	Quantity	Replacement code	Description	Salable
1	7273425	8055195024814	1		844 RESTYLING OPERATOR CAP	yes
2	7324745	8055195025187	1		2003 FAAC LOGO	yes
5	7110015	8055195022995	1		CAP	yes
6	40985115	8055195027990	1		SL.G.O.746R INDUCT.STROKE END UNIT GREY	yes
7	390516	8055195007169	1		BREATHER PLUG PACKAGE	yes
8	7099645	8055195022902	1		GASKET 844	yes
9	63001606	8055195061031	1		746/844 BODIES GROUP (2020)	yes
10	7029175	8055195022056	1	63001613	STATOR NUT / EARTH	yes
11	7099245	8055195022841	1		STRAIN RELIEF GASKET	yes

Pos.	Code	EAN	Quantity	Replacement code	Description	Salable
12	7043355	8055195022131	1		CABLE GLAND RING	yes
13	7109095	8055195022957	1		CABLE GLAND	yes
15	202073	8055195052985	1		E844 3PH CONTROL BOARD	yes
16	7273405	8055195024791	1		BASE FOR 746/844 R COVER	yes
17	63003336	8055195057836	1		746/844 FRICTION DISK GROUP	yes
18	7093105	8055195022605	1		SEAL FOR ROTATING SHAFT A 15304,5 FKM	yes
19	63003342	8055195057881	1		746/844 CLUTCH SPRINGS AND SCREW	yes
20	7090300015	8055195040234	1		GASKET OR 7.66X1.78 90 SHORE	yes
21	63003230	8055195043631	1		746/844 ADJUSTING RING+O-RING	yes
22	63001609	8055195060959	1		844 3PH MOTOR SHAFT (2020)	yes
23	7223185	8055195024234	2		MOUNTING BRACKET	yes
24	7280675	8055195024890	2		1 SLOT LIMIT SWITCH PLATE	yes
25	7030185	8055195022063	1		WASHER 10,5X35X4 CAT.A Z	yes
26	71708215	8055195034523	1		FLANGE F/CHAIN MOT.746/844	yes
27	7094085	8055195022674	1		GASKET LATERAL FLANGE 820-860	yes
28	7093005	8055195022575	1		SEAL FOR ROTATING SHAFT A 25407 FKM	yes
29	7070111		1		BEARING 6205 (25x52x15) V2	no
30	7061115	8055195022247	1		PIN 8X45 RIC.UNI EN22338	yes

Pos.	Code	EAN	Quantity	Replacement code	Description	Salable
31	7180785	8055195023480	1		SLOW MOTOR SHAFT 746-844	yes
32	7192575	8055195023725	1		GEAR 844R 3PH	yes
33	7070121		1		BEARING 6004 (20x42x12) V2	no
34	7182765	8055195023572	1		UNLOCK PIN 746-844	yes
35	63003337	8055195057843	1		746/844 KEYWAY KEY AND SPRING GROUP	yes
36	7093055	8055195022599	1		SEAL FOR ROTATING SHAFT A 10307 FKM	yes
37	7061035	8055195022230	2		PIN	yes
38	63001612	8055195060980	4		844 STATOR SCREWS (M4)	yes
39	63003163	8055195033816	1		844 3PH 400V MOTOR	yes
40	63003339	8055195057867	1		746/844 RELEASE LEVER GROUP	yes
41	7120885	8055195023183	1		LOCK ART.3889.3	yes
42	7131005	8055195023213	1		KEY MOD. 3889.0913	yes
43	63003338	8055195057850	1		746/844 FIXING BRACKETS AND SPACERS GROUP	yes
44	39057655	8055195027778	1		SKINPACK 746/844 R CAT	yes
45	390829		1		GASKET KIT 746 '98 MOTOR	no
46	714017	8055195010923	2		HYDRAULIC OIL FAAC HP OIL LT. 1	yes
47	7090620025	8055195054439	1		O-RING 2,62X56,82 NB70	yes
48	7070102		2		BEARING 6204 2Z (20x47x14) V3	no

Pos.	Code	EAN	Quantity	Replacement code	Description	Salable
49	7226605	8055195024371	1		MAGNETIC DISK 746/844 RESTYLING	yes