



6006 VEHICULAR SWING GATE ACTUATOR



Aesthetically pleasing original quiet design

- Mounts directly on gate and gate post – simplifying installation and eliminating the need for concrete pads
- Battery Backup provides uninterrupted operation if primary (AC) power is lost
- Includes Photo-cell for entrapment prevention
- 115 VAC or 24 VDC Solar Powered Control Box options
- 2-Year Limited Warranty

Solar Powered Control Box

AC Powered Control Box

• RESIDENTIAL • LIGHT COMMERCIAL •



Fully Enclosed

Screw drive protects screw threads



Easy Install

Rear bracket pivots allowing the unit to be removed easily



Keyed Release

For manual operation



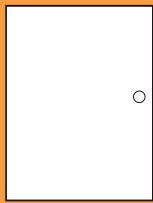
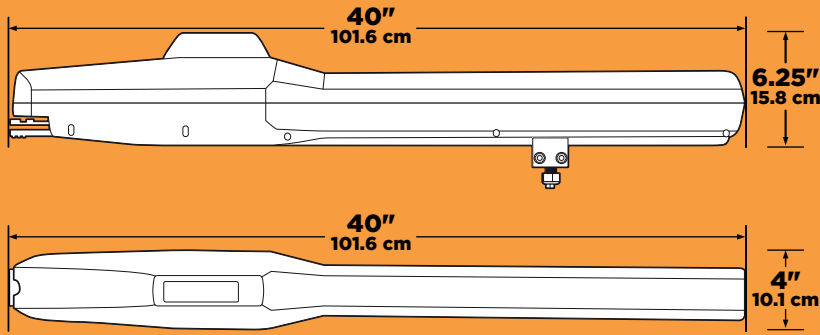
Reliability

In a compact and simple to install design

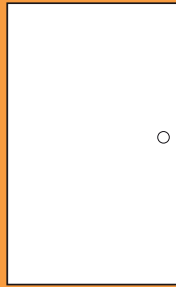
ACCESS CONTROL SOLUTIONS



6006 VEHICULAR SWING GATE OPERATOR



AC Standard Control Box
12.5" W x 16.5" H x 4.25" D
(318mm W x 419mm H x 108mm D)



AC Deluxe Control Box
14.5" W x 24" H x 4.25" D
(368mm W x 610mm H x 108mm D)



Solar Powered Control Box
13" W x 21" H x 8" D
(330mm W x 533mm H x 203mm D)

6006	ACTUATOR	AC POWERED CONTROL BOX(S)	SOLAR POWERED CONTROL BOX
CLASS OF OPERATION	I, II	-	-
MAX WEIGHT AND GATE LENGTH*	600 lbs (272.1kg) / 18 ft (5.48m)	-	-
	800 lbs (362.8kg) / 16 ft (4.87m)	-	-
	1600 lbs (725.7kg) / 8 ft (2.43m)	-	-
MOTOR	Continuous Duty DC Motor	-	-
BATTERIES	-	Two (2) 3.5 Ah included	Two (2) 18 Ah or 35 Ah
SOLAR PANEL	-	N / A	10 Watt (18 Ah batteries) 20 Watt (35 Ah batteries)
INPUT POWER	24 VDC	115 VAC	24 VDC

* Assumes gate to be in good condition and swinging in a level plane.

TECHNICAL FEATURES

MECHANICAL

- Primary Reduction: worm gear 1:27
- Speed: 90° in approximately 18-20 secs.
- Maximum Opening: 110°
- Case: 3.5mm double painted aluminum
- Easily adjustable magnetic limits
- Left or right hand mounting
- Keyed Release provided
- Fail-Secure mechanical
- Control Box enclosure rated NEMA 4X
- Protection Class IP54

ELECTRICAL

- Built-in Battery Charger
- Gate Overlap feature for dual gate operation
- Magnetic Lock Power Circuit (115 VAC Control Box only)
- Built-in Reset and Test Buttons
- Maximum Run Timer
- Built-in High Current Warning
- 0.0 A SBPD Circuit (Pat Pend) (Solar Control Box only)

MISCELLANEOUS

Environmental: 32°F to 115°F (0°C to 46°C) *

* The temperature range shown is for optimal battery performance. While these systems will operate beyond these limits, exceeding the temperature range will reduce battery efficiency and may cause permanent battery damage.

Shipping Weights:

- Actuator: Approx 20 lb (9.1 kg)
- Std Control Box: Approx 30 lb (13.6 kg)
- Deluxe Control Box: Approx 40 lb (18.14 kg)

Solar Control Box w/18 Ah Batteries:
Approx 60 lb (27.22 kg)

Solar Control Box w/35 Ah batteries:
Approx 90 lb (40.82 kg)

Solar Control Box (No Batteries):
Approx 30 lb (13.6 kg)

Actuator will not run without entrapment protection device(s) connected to the controller board.



Conforms To ANSI/CAN/UL 325:2017 Ed. 7
Certified To CSA C22.2 #247

DoorKing® Inc.

Access Control Solutions since 1948



120 S. Glasgow Avenue,
Inglewood, California 90301 U.S.A.
Tel: 310-645-0023 FAX: 310-641-1586
www.doorking.com

© 2021 All Rights Reserved.
Product specifications may
change without notice. Rev. 2/21



MEMBER:



DISTRIBUTED BY:

