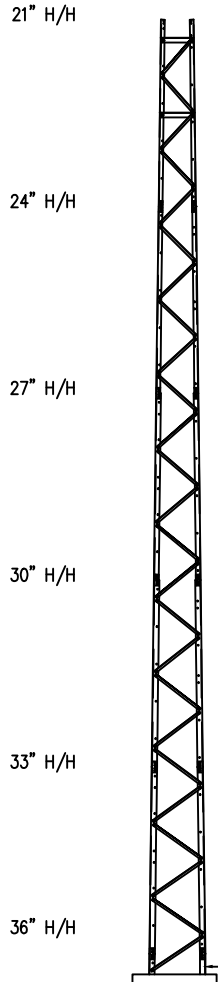


50FT S400 SUPERTITAN TOWER



U S A

MAXIMUM ALLOWABLE ANTENNA AREA – PER TIA/EIA 222 REV. F					
WIND VELOCITY RATINGS					
NO ICE (ROUND/FLAT)			1/2" ICE (ROUND/FLAT)		
70 mph	90 mph	100 mph	70 mph	90 mph	100 mph
90/64	44/31	26/18	85/60	41/29	30/21

SECTION #5

FOUNDATION LOADS:
 MAX. OVERTURNING MOMENT (K*FT) =
 MAX. SHEAR (kips) =
 MAX. AXIAL (kips) =

U S A

MAXIMUM ALLOWABLE ANTENNA AREA – PER TIA/EIA 222 REV. G, CLASS 1 (NO ICE)					
WIND VELOCITY RATINGS					
90 mph 3sg	110mph 3sg	120 mph 3sg	3sg = 3 SECOND GUST WINDSPEED		
75 mph FM	90 mph FM	100 mph FM	FM = FASTEST MILE WINDSPEED		
ROUND	FLAT	ROUND	FLAT	ROUND	FLAT
120	85	72	51	56	40

SECTION #6

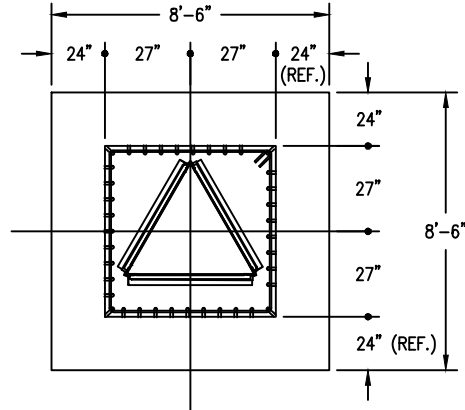
FOUNDATION LOADS:
 MAX. OVERTURNING MOMENT (K*FT) =
 MAX. SHEAR (kips) =
 MAX. AXIAL (kips) =

SECTION #7

FOUNDATION LOADS:
 MAX. OVERTURNING MOMENT (K*FT) =
 MAX. SHEAR (kips) =
 MAX. AXIAL (kips) =

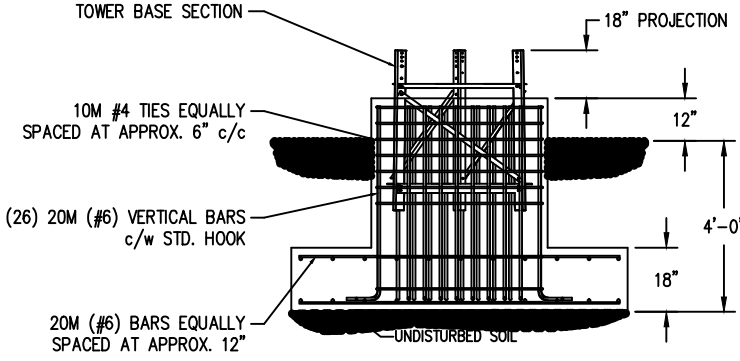
SECTION #8

5' EMBEDMENT SECTION INCLUDED IN KITS



CUBIC YARDS OF CONCRETE		
PAD CONC VOL.	PIER CONC VOL.	TOTAL VOL.
4.0	2.6	6.6

FOUNDATION DESIGN (NORMAL DRY SOIL)
 DESIGN ASSUMES THAT FROST DEPTH IS LESS THAN 4'-0"



REV.	BY:	BY:	DESCRIPTION	DATE

REFERENCE DRAWINGS:

DRAWING NUMBER	DRAWING NUMBER

- NOTES: 1) KNOCK-DOWN PART NUMBER 5.94.0400.050.
 2) PRE-ASSEMBLED PART NUMBER: 5.95.0400.050.
 3) ANTENNA LOADS ARE CENTRALLY LOCATED AND BALANCED, 3-FT OR LESS ABOVE THE TOWER TOP.
 4) WIND LOADING ASSUMES (1) 1/2" TRANSMISSION LINE PER 10 SQ.FT. OF ROUND MEMBER ANTENNA AREA.

CONFIDENTIAL: ALL INTELLECTUAL PROPERTY RIGHTS HEREIN ARE THE PROPERTY OF TRYLON INC. ALL DUPLICATION, RECORDING, DISCLOSURE OR USE IS PROHIBITED WITHOUT WRITTEN CONSENT OF TRYLON INC.

DRAWING NO. 000001.620.0164

CUSTOMER: SITE: SCALE: 80.000

DATE: 06 FEB 07 BY: CHK: APP:

TITLE: 50FT S400 SUPERTITAN PROFILE